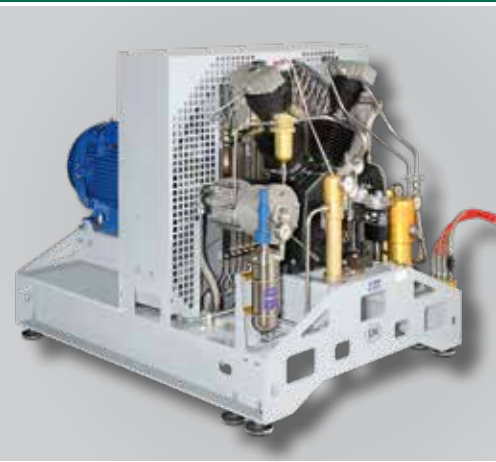




Industrial Applications

Compressor Systems for Industrial Application



Breathing Air | Compressed Air | Nitrogen | Inert Gas | CNG | Biomethane Gas | Hydrogen

High performance and economic high pressure solutions
Made in Germany

www.lw-compressors.com

Lenhardt & Wagner

Back in 1980 the L&W co-founder Bernd Wagner realized the lack of alternative high-pressure solutions within the market. He started to do repair and service work on all types of high pressure devices and furthermore offered rebuilt compressor units for sale. On his next step he managed to incorporate various improvements on existing models and as a consequence founded his own brand. The aim was to create a new range of technically advanced and affordable solutions.

Decades of experience and real quality products made Lenhardt & Wagner GmbH one of the most known and respected brands within the high-pressure industry.

If compressor units, filtration systems, storage banks, filling panels or air quality control systems, we can offer the right solutions at right price.

Mobile, compact, stationary and sound isolated compressor units with plenty of customer orientated and useful options.

Our flexible and fast acting customer service is also one of our main benefits. If you need support in calculating and choosing the right components for your business or servicing and repairing your existing gear, please ask for advice. Our customized solutions will always equally match your requirements and ensure first class investment.

We are pleased to make you an individual offer.



High pressure solutions made by L&W.

Table of Contents

Lenhardt & Wagner	L&W - High pressure solutions	4
	The L&W SILENT series	5
Applications	Breathing Air / Compressed Air	6 - 7
	Nitrogen	8 - 9
	Inert Gas	10 - 11
	Natural Gas / Biogas / Hydrogen	12 - 13
Options	Remote Tab Control - RTC	14
	Remote Pro Control - RPC	15
	Puracon Moisture Controller	16
	Condensation Collecting Tank	16
Purification	Filter Panels	17
Storage	Storage Cylinders	18
	Storage Management	19
	Auto Filling Selector	20
	Pressure Reducing Stations	21
Spare Parts	Filter Cartridges	22
	Inlet filters	22
	Service Kits	22
Training Courses	Seminars / Training Courses at L&W	23

L&W - Long-living, High Performance and Reliable

For more than 30 years, L&W has been delivering high pressure compressors and accessory modules for purifying, storing and filling of:

- » Air
- » Nitrogen
- » Inert gas
- » Natural gas and biogas

Our extensive know-how in the field of high-pressure applications and a continuous development of our product range have contributed to our worldwide success. We offer the maximum in reliability and durability for our products "Manufactured in Germany".



**Manufactured
in Germany**



Benefit from our individual and complete solutions

1 Compression

Customised compressors and boosters for the application in your systems take profit of many years of experience in compressor design - from basic structure to detailed solutions. High efficient cooling systems enable long lifetime with less maintenance.

2 Purifying

Various modular combinations with specific filter elements leave nothing to be meets all your needs. Highest operational safety can be reached due to an optional filter monitoring.

3 Storage Control

L&W provides manual as well as automatic storage control systems. This always ensures an optimal interaction between compressor, storage and your application. A pressure reducing station can be combined directly with storage control.

4 Storage

L&W also provides storage units for each filling pressure and offers various modular solutions which can be expanded at any time according to the requirements.

The L&W SILENT Series

The SILENT series has been developed especially for work areas and workshops where no additional compressor room is available. The silent housing allow working next to the compressor without wearing hearing protection.

Your advantages at a glance::

- >> Excellent noise reduction up to 62 dB[A]
- >> High efficient cooling grace to an exact air flow and a secondary ventilator
- >> Lateral inspection panels for easy service access
- >> Space saving horizontal installation

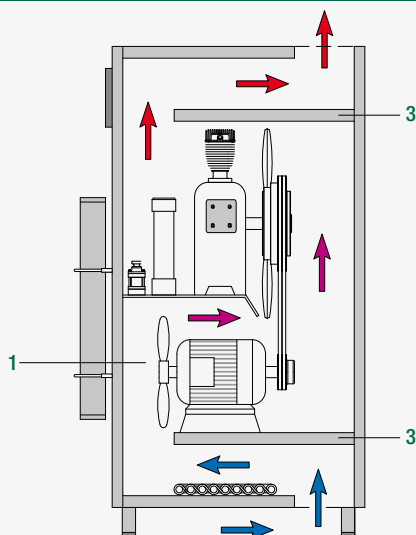


LW 700 ES II



Sound insulated housing LW 1300 ES

The ES Silent Concept



Sound insulation is also heat insulation, manufacturing quiet compressors and keeping them cool is the ultimate objective. With the ES concept, we have benchmark sound insulation and benchmark cooling. The cross sectional view of the ES housing illustrates the key features.

1. A secondary ventilator provides additional thrust for the cooling air flow through the housing.
2. Additional final stage heat exchangers are the first component in the flow of cooling air into the housing.
3. The intermediate panels with sound insulation padding prevent the direct egress of sound waves out of the housing absorbing the majority of the noise.

Breathing Air / Compressed Air

Stationary high pressure compressors for industrial compression of air - purification with breathing air quality.

The sturdy design of our compressors provides a maximum operating safety. Take profit of our know-how in a wide range of applications, e.g. high pressure test systems, pressure chambers, high pressure storage for pneumatic tools and many others.

Our compressors are designed for your individual application with a high degree of expandability according to your requirements.



Applications

Type	From	To
Inlet pressure	atmospheric	150 bar (2100 psi)
Delivery capacity	6 m ³ /h (3.5 cfm)	250 m ³ /h (147 cfm)
Final pressure	10 bar (140 psi)	420 bar (6100 psi)

We individually calculate compressor and drive power according to your application requirement. In this way, we perform the best possible efficiency and highest economic feasibility for you.

Breathing Air / Compressed Air

Features

- » Drive motor
- » Sound insulated housing up to 61 dB(A)
- » Star-delta start system
- » Control panel with start-stop switch, emergency stop and condensate test switch
- » Operating hour counter
- » Automatic condensate drain
- » Automatic shut-down when the final pressure is reached
- » Automatic shut-down for different temperatures
- » Various display options and monitoring
- » Inlet filter installed in all machines as standard
- » Low-pressure oil pump
- » Pressure maintaining and non return valve
- » High-pressure hoses (various lengths of your choice)
- » Interstage cooling pipes
- » Cooling pipes in stainless steel
- » Water separator after each stage
- » Safety valves after each stage
- » Pistons c/w steel piston rings
- » Concentric suction/pressure valves
- » Fill pressures to your choice
- » Switch-over devices or parallel filling device
- » Mobile compressor control available
- » Breathing air in accordance to EN 12021
- » Stationary filter monitoring
- » Intake pressure regulations
- » TÜV certification

Specifications and Options



Water separators after each stage



Electronic Compressor Control - ECC



Application example: crash test rigs

Nitrogen

The sturdy design of stationary high pressure compressors for industrial compression of nitrogen provides a maximum operating safety.

Take profit of our know-how in a wide range of applications, e.g. test systems for air bags and brakes, laser cutting systems, gas injection moulding, offshore platforms and many other nitrogen applications.

Our compressors are designed for your individual application with a high degree of expandability according to your requirements.



LW 570 EN incl. inter stage pressure gauges and oil temperature monitoring

Applications

Type	From	To
Inlet pressure	atmospheric	25 bar (362 psi)
Delivery capacity	6 m ³ /h (3.5 cfm)	250 m ³ /h (147 cfm)
Final pressure	10 bar (140 psi)	420 bar (6100 psi)

We individually calculate compressor and drive power according to your application requirement. In this way, we perform the best possible efficiency and highest economic feasibility for you.

Nitrogen

Features

- » Drive motor
- » Powder coated frames (wet painted on request)
- » Sound insulated housing up to 61 dB(A)
- » Star-delta start system
- » Control panel with start-stop switch, emergency stop and condensate test switch
- » Operating hour counter
- » Automatic condensate drain
- » Automatic shut-down when the final pressure is reached
- » Automatic shut-down for different temperatures
- » Various display options and monitoring
- » Gastight inlet filter housing
- » Inlet filters installed in all machines as standard
- » Low-pressure oil pump
- » Pressure maintaining and non return valve
- » High-pressure hoses (various lengths of your choice)
- » Interstage cooling pipes
- » Cooling pipes in stainless steel
- » Water separator after each stage
- » Safety valves after each stage
- » Pistons c/w steel piston rings
- » Hardened cylinders
- » Concentric suction/pressure valves
- » Fill pressures to your choice
- » Mobile compressor control available
- » Stationary filter monitoring
- » Intake pressure regulations
- » Buffer tank up to 25 bar(g) c/w drain valve, pressure gauge and safety valve
- » TÜV certification

Specifications and Options



20 l primary pressure tank with monitoring



LW 570 EN filter extension



Application example: laser cutting systems

Inert Gas

High performance complete solutions for reliable compression, purification, storage and recovery of inert gases such as helium and argon. This compressor series provides economic efficiency to the maximum due to loss-free compression by means of returning condensation and leak gases.

Take profit of our many years of experience in planning and construction of special systems for applications such as helium recovery, filling plants and different test plants as well as various other helium applications.



Applications

Type	From	To
Inlet pressure	atmospheric	25 bar (362 psi)
Delivery capacity	6 m ³ /h (3.5 cfm)	250 m ³ /h (147 cfm)
Final pressure	10 bar (140 psi)	420 bar (6100 psi)

We individually calculate compressor and drive power according to your application requirement. In this way, we perform the best possible efficiency and highest economic feasibility for you.

Inert Gas

Features

- » Drive motor
- » Powder coated frames (wet painted on request)
- » Sound insulated housing up to 61 dB(A)
- » Star-delta start system
- » Control panel with start-stop switch, emergency stop and condensate test switch
- » Operating hour counter
- » Automatic condensate drain
- » Automatic shut-down when the final pressure is reached
- » Automatic shut-down for different temperatures
- » Various display options and monitoring
- » Gastight inlet filter housing
- » Inlet filters installed in all machines as standard
- » Low-pressure oil pump
- » Pressure maintaining and non return valve
- » High-pressure hoses (various lengths of your choice)
- » Interstage cooling pipes
- » Cooling pipes in stainless steel
- » Water separator after each stage
- » Safety valves after each stage
- » Pistons c/w steel piston rings
- » Hardened cylinders
- » Concentric suction/pressure valves
- » Fill pressures to your choice
- » Mobile compressor control available
- » Stationary filter monitoring
- » Intake pressure regulations
- » Buffer tank up to 25 bar(g) c/w drain valve, pressure gauge and safety valve
- » Condensate return in additional tank or buffer tank
- » TÜV certification

Specifications and Options



20 l primary pressure tank for LW 280 ES



150 l primary pressure tank for condensate return



Application example: inert gas filling station

Natural Gas, Biogas and Hydrogen

Stationary high pressure compressors for the compression of natural gas, biogas and hydrogen. Our compressors are characterised by a sturdy construction, low speed, long service intervals and an excellent value for money.

Take profit of our know-how in planning and construction of special systems, e.g. natural gas stations, biogas compressors for industrial large-scale plants, hydrogen systems and energy storage.



LW 720 EBMG

Applications

Type	From	To
Inlet pressure	atmospheric	25 bar (362 psi)
Delivery capacity	12 m ³ /h (7 cfm)	250 m ³ /h (147 cfm)
Final pressure	10 bar (140 psi)	410 bar (6100 psi)

We individually calculate compressor and drive power according to your application requirement. In this way, we perform the best possible efficiency and highest economic feasibility for you.

Natural Gas, Biogas and Hydrogen

Standard equipment

- » Ex-proof electric motor
- » Powder coated steel frame in RAL 6026
- » 3- or 4-stage, industry-proven compressor block
- » Ex-proof solenoid valves for autom. condensate drainage
- » Ex-proof final pressure switch
- » Pressure maintaining- and none return valve
- » Pistons c/w piston rings
- » Industry-proven lubrication system c/w oil filter
- » Low-pressure oil pump
- » Oil- / water separator after each stage
- » Encapsulated safety valves after each stage
- » Buffer tank 90-500 litres (depending on the compressor)
- » Pressure switch for shut-off at low and high inlet pressure
- » Condensate return in 150-500 liter pressure vessel (depending on the compressor)
- » Suction- and pressure valves in each stage
- » Compressor control on request
- » TÜV approval of the tanks and complete compressor unit

Specifications and Options



LW1300 EG with water cooling



LW1300 EG with additional oil lubrication circuit



LW 450 EH2

Remote Tab Control - RTC

The newly developed L&W Remote Tab Control (RTC) enables innovative control of the compressor unit via our "My L&W" app and also features a removable 10" tablet. If you like to supervise your filling activities, customize various display options, get information about upcoming service intervals, filter changes or your last fills, by using our Remote Tap Control you are always at the height of your high pressure activities.

Consists of

- » 10" tablet c/w full-HD display (back-up control w/o tablet possible)
- » „My L&W“ app
- » Pressure sensor for auto start / stop operation
- » Sensor for ambient temperature
- » Phase control device
- » Two potential-free contacts for collective fault messages (changeover contact)
- » Potential free terminal for compressor monitoring
- » Emergency stop switch

Features

- » Half & fully automatic operation modes
- » Start & stop pressures individually adjustable
- » Condensate test function
- » Leak test function
- » Safety valve test function
- » Ambient temperature analyses c/w automatic shut down
- » Phase monitoring c/w start prevention
- » Compressor start counter
- » Start- & cycle counter for auto. condensate drain
- » Timer for next condensate drain
- » Graphical representation of machine parameters (Download for 96h via email possible)
- » Widgets for permanent display of four chosen machine parameters
- » Display of fill time [min]
- » Service intervals c/w counter
- » Pin lock (4 safety stages)
- » Dynamic pressure and temperature units selectable
- » Unlimited alarm memory in log data
- » Languages: German / English / French / Italian / Spanish / Russian / Chinese



Electronic control - Remote Pro Control - RPC

The new Remote Pro Control has been added to the successful Remote Tab Control range. The further developed RPC contains all components (incl. a Windows-based software) which enable to control and monitor the compressor worldwide. 32,000 storable data units allow recording measurements per second, minute, hour or day in real time. Location-independent remote-maintenance, adjustments, as well as displaying all machine parameters can be continuously controlled and called up.

Consists of

- » Control board incl. 2.8" LCD display
- » L&W software for Windows-based systems (PC, laptop, notebook, tablet or mobile phone)
- » Pressure sensor for start / stop operation
- » Sensor for temperature monitoring of the ambient temperature
- » Phase monitoring module
- » 1 x potential-free contact for collective alarms
- » Emergency operation (can be operated without circuit board)
- » Emergency stop switch

Features

- » Semi & fully automatic operation
- » Remote control possible via LAN / W-LAN
- » Remote maintenance / settings by L&W possible after permission
- » Condensate, leakage and safety valve test function
- » Ambient temperature monitoring with automatic shutdown
- » Phase monitoring with automatic start prevention
- » Start cycle counter
- » Stroke and cycle counter for condensate drain
- » Timer for next condensate drainage
- » Operating hours counter for compressor and filter cartridge
- » Graphic display of machine parameters (Storage of 32,000 data units, display update per sec, min, h or d freely selectable)
- » Display of filling time [min] / timer for bottle filling
- » Service intervals with counter
- » Pin Lock
- » Dynamic pressure- and temperature display
- » Unlimited alarm memory in the log
- » Available languages: German / English / French / Italian / Spanish / Chinese / Russian (Portugues on request)



Options

- » Windows-based end device for external display (e.g. PC, laptop, tablet and much more)
- » Display / monitoring of pressures (levels / oil)
- » Display / monitoring of temperatures (cylinder heads / oil)
- » Installation of additional software on the company server for external operation

Puracon Filter Monitoring

The usage of a moisture controller is the most reliable and economic method for filter monitoring. L&W Puracon can be ordered optionally for a new unit or can be easily integrated retroactively into existing filling stations.

The residual water content is digitally indicated in mg/m^3 and indicated via 3-coloured LEDs. Safety for breathing air filling stations (quality control for product liability), maximum utilisation instead estimation of the filter cartridge lifetime and for special applications where a high air quality is essential (e.g. production of Nitrox as breathing air mixtures).



Condensation Collecting Tank

The 60 l tank is equipped with an active carbon filter to collect condensate odourlessly and quietly. The condensate can be easily transported in the collecting tank and disposed environmentally sound.

The flexible connection hoses are fitted with quick-couplings, to allow easy separation from the compressor. The tank is equipped with a level gauge to indicate max. filling level. Two sturdy carrying handles ensure a safe transportation.

Ø 40 x 80 cm, 20 kg



Filter Panels

For purifying, drying and oil removal of air and gases.

The high pressure filter housings are certified and documented in accordance with current pressure vessel regulations to a maximum working pressure of 350 bar (5250 psi) and 420 bar (6200 psi).

The assembly is mounted on a sturdy wall panel and piped ready for connection with a pressure maintaining and non-return valve. If required, the inlet can be secured with a pressure relief valve.

These panels are the preferred choice for filtration remote from the compressor and are ideal for multiple compressor installations especially when using a central refrigeration dryer or for upgrading an outdated filter system.

The filter housings are available in the sizes 1.7, 2.3, 10 litres volume. Cartridges are available for breathing air, breathing air with additional CO/CO₂ filter, drying, active charcoal, natural gas drying and more.



Filter Panel 1 x 10 l
without Pressure maintaining valve

Specifications

- » Nickel plated steel filter housing(s)
with 1 drain tap on each panel
- » Steel frame and housing, powder coated in RAL 6026
- » Pressure maintaining and non-return valve

Options

- » Safety valve
- » Puracon filter monitoring
- » Div. filter cartridges



Filter Panel 2 x 2.3 l
incl. Pressure maintaining valve

Technical Data

Filter panel	Capacity at +20°C [m³]	Max WP [bar]	Connection thread		W x H x D [mm]	Weight [kg]
			Inlet	Outlet		
1 x 1.7 litre	900	350	8S	G 1/4" female	270 x 570 x 180	27
2 x 1.7 litre	1800	350	8S	G 1/4" female	430 x 570 x 180	44
3 x 1.7 litre	2700	350	8S	G 1/4" female	560 x 570 x 180	61
1 x 2.3 litre	1200	350	8S	G 1/4" female	270 x 815 x 180	32
2 x 2.3 litre	2400	350	8S	G 1/4" female	430 x 815 x 180	54
3 x 2.3 litre	3600	350	8S	G 1/4" female	560 x 815 x 180	76
1 x 2.3 litre	1200	420	8S	G 1/4" female	270 x 815 x 180	38
2 x 2.3 litre	2400	420	8S	G 1/4" female	430 x 815 x 180	67
3 x 2.3 litre	3600	420	8S	G 1/4" female	560 x 815 x 180	95
1 x 10 litre	8400	350	G 1/2" female	G 1/2" female	460 x 1116 x 320	165
1 x 10 litre + 1 x 2.3 litre	9600	350	G 1/2" female	G 1/2" female	720 x 1116 x 320	180
2 x 10 litre	16800	350	G 1/2" female	G 1/2" female	700 x 1116 x 320	265
2 x 10 litre + 1 x 2.3 litre	18000	350	G 1/2" female	G 1/2" female	1000 x 1116 x 320	315

Storage Cylinders

Storage tanks are frequently used to provide extra filling capacity during peak periods (with or without cascade filling panels). Ideally, the storage pressure should be higher than the filling pressure. A fully automatic control system for compressors is recommended (e.g. Remote Tab Control - RTC). L&W provides different storage systems in modular design, starting from 10 m³ storage volume up. Our cascade filling panels are available for one to four stages operation. Tell us your requirements and we will calculate your individual system.

Specifications

- » Stationary steel tanks 10 year hydro test, powder coated in accordance with EN 1089/3
- » Powder coated according to EN 1089/3
- » Special paintings on request
- » 50 l tank size
- » Operation pressure: up to 350 bar
- » Operation pressure: 200, 300, 420 and 500 bar on request
- » Painted steel housing (RAL 6026)
- » Connected according to customer's specifications
- » Modular construction to accommodate future expansions



Technical Data

Cylinders	Capacity [m ³]	W x H x D [mm]	Weight [kg]
350 bar storage / PH 525 bar			
1 x 50 l	17.5	250 x 1785 x 300	140
2 x 50 l	35	500 x 1785 x 300	240
3 x 50 l	52.5	750 x 1785 x 300	355
4 x 50 l	70	1000 x 1785 x 300	465
6 x 50 l	105	∅ 800 x 1950	660
6 x 50 l	105	745 x 464 x 1775	750

Manual Storage Management

Cascade filling panel, connected upstream of the filling panel, a manual control unit for 2, 3 or 4 stage filling.



Single stage storage management

High pressure valve and pressure gauge can be installed as a storage control in every L&W filling panel.

Cascade panels

For overflow in stages from the storage cylinders via the filling panel or directly to the application. Thus, the gas storage in the storage cylinders can be used more effectively. This makes it possible to fill many more bottles to the final pressure until the compressor system has to be started.

Specifications

- » Painted steel housing (RAL 6026)
- » 1-, 2-, 3- or 4-stages
- » Inlet, valve and pressure gauge for each stage
- » Inlet of the compressor
- » Outlet to the filling panel
- » Fully piped



3 stage cascade management panel

Technical Data

Order no	No of stages	W x D x H [mm]	Weight [kg]
002957	1	210 x 230 x 330	6.5
002935	2	390 x 230 x 330	10
002329	3	580 x 230 x 330	13
002816	4	780 x 230 x 330	16

Auto Filling Selector

The Auto filling selectors always ensures an optimal interaction between compressor, storage cylinder(s) and filling panel.

Automatic filling via storage (e.g. 300 bar) and compressor, if the storage pressure decreases to the required filling pressure. After filling, the storage cylinders are refilled automatically to the final storage pressure. This ensures an optimal and economic usage of the unit.

We recommend using automatic condensation and automatic stop at final pressure at the compressor. Due to a fully automatic changing function of the automatic switching device, it is not necessary to open and close locking valves manually. This ensures fast and uncomplicated filling procedures. Our cascade filling panels are available as management panels with 1, 2, 3 or 4 stages. Tell us your filling requirements and we will quickly calculate your individual system.

The L&W auto filling selector is available in 3 versions:



Pneumatic controlled auto filling selector

For applications with a storage pressure of min. 300 bar and a max. filling pressure of 225 bar.

300 x 270 x 100 mm, 3 kg

Pneumatic controlled auto filling selector with integrated pressure reducing station

For applications with a storage pressure of min. 300 bar and a max. filling pressure of 225 bar. The outlet pressure is set by the pressure reducing station and is secured by the downstream safety valve.

550 x 350 x 150 mm, 9 kg



Electronic controlled auto filling selector

Switching points can be exactly set by the electronic pressure transducer. This system has to be used when the filling pressure is close to the storage pressure, e.g. storage pressure of 330 bar and filling pressure of 320 bar.

430 x 500 x 200 mm, 16 kg

Options

» Auto start signal for the compressor

Pressure Reducing Stations

Ideal for safe reducing storage pressure down to the required filling pressure. The pressure reducing stations are available for various inlet and outlet pressures and volumetric flows.







Pressure reducing station with safety valve



Pressure reducing station with
TÜV/ CE safety valve

Pressure Reducers

Various pressure reducers are available for different applications, see. table. Other pressure reducers on request.

	Inlet	Outlet	Gas	Order number
	100 - 420 bar 2 x 1/4" NPT internal screw thread	27 - 300 bar 2 x 1/4" NPT internal screw thread	Air, Inert gases	000566 Repair kit: 000565
	100 - 420 bar 1 x 1/4" NPT external screw thread	27 - 300 bar 1 x 1/4" NPT internal screw thread	Air, Inert gases	001428 Repair kit: 001427
	0 - 200 bar G5/8" DIN 477 external screw thread	0 - 10 bar G1/4" internal screw thread	Air, Nitrogen	004323
	0 - 200 bar G5/8" DIN 477 external screw thread	0 - 20 bar G1/4" internal screw thread	Air, Nitrogen	000676
	0 - 300 bar G5/8" DIN 477 external screw thread	0 - 10 bar G1/4" internal screw thread	Air, Nitrogen	003602
	0 - 300 bar G5/8" DIN 477 external screw thread	0 - 50 bar G1/4" internal screw thread	Air, Nitrogen	003106
	0 - 6 bar 1 x 1/2" internal screw thread	150 mbar - 6 bar 1 x 1/2" internal screw thread	Air, Inert gases	001528

Filter Cartridges

Filter cartridges are available in various versions and for different gases and applications.

Applications

- » Drying: Residual water content
- » CO-removal
- » CO₂-removal
- » Oil / odour removal: Residual oil content
- » Drying and oil removal for Helium-, Nitrogen-, Argon and CNG applications



Inlet Filters

The inlet filter is essential for the operating life of the compressor; it avoids that dirt particles damage valves, pistons and cylinder bores. Filters for different compressor sizes are available.



Service Kits

The service kits contain parts for maintenance according to the factory requirements. The use of the L&W service kits ensures that all required parts are ordered and replaced and gives you the assurance that all parts are included in your order. Depending on the model and interval parts, the service kits include e.g. O-Rings, Sinter Filter, Intake Filter, V-Belts, Silencers, In- & Outlet Valve, Valve Seals and Compressor oil.



Seminars / Training Courses at L&W

In our training courses, we teach you the basics for the knowledgeable and reliable handling of our compressors and filling devices. You will receive practical skills that allow you to expand your skills in terms of compression technology and air conditioning essential.

All participants will receive a certificate of participation. Participation in the trainings enables you to hold regular training of personnel in accordance with the provisions of the BG.

For questions about our training, please contact:

Lenhardt & Wagner GmbH

Mrs. Ina Weinzierl

An der Tuchbleiche 39

68623 Hüttenfeld / Germany

Phone: +49 (0)62 56 / 8 58 80 -16

Fax: +49 (0)62 56 / 8 58 80 -14

eMail: iweinzierl@lw-compressors.com

Compressor Seminar

Max. 24 people, duration: approx. 7h

In this seminar, the basics of the following topics are covered in theory:

- >> Compressor technology
- >> Maintenance
- >> Troubleshooting
- >> Legal Notices
- >> Gas purification

Technology Seminar

Max. 8 people, duration: 2 days

This course is practical organized and the "Compressor Seminar" is required as basis knowledge.

It includes the following topics:

- >> Refreshment of the basic skills
- >> Specific troubleshooting of compressors
- >> Disassembling and assembling of a compressor block
- >> Implementing of a high pressure system
- >> Setting options on the compressor
- >> Repair of filling devices on compressor and filling panels





L&W - World Wide

Our worldwide network of dealers and service centers.



Compressors | Purification | Storage | Filling Panels | Nitrox/Trimix

Lenhardt & Wagner GmbH

An der Tuchbleiche 39
68623 Hüttenfeld / Germany

Phone: +49 (0)62 56 / 8 58 80 -0

Fax: +49 (0)62 56 / 8 58 80 -14

eMail: service@lw-compressors.com



Current brochure as pdf



www.lw-compressors.com