



CHAPTER OVERVIEW

Operating Instructions

A

ECC - Electronic Compressor Control (if equipped).....

B

Spare Parts Lists

C

Options (if equipped).....

D

Attachment

E

Manufacturer in terms of 97/23/EC

The full name and address of the manufacturer is:

Lenhardt & Wagner GmbH

An der Tuchbleiche 39

68623 Hüttenfeld / Germany

Phone: +49 (0) 62 56 - 85 88 0 - 0

Fax: +49 (0) 62 56 - 85 88 0 - 14

E-Mail: service@lw-compressors.com

Internet: www.lw-compressors.com





SERVICE INFORMATION / WARRANTY

Compressor information

Type designation

Serial number

Date of construction

Purchase information

Purchase date

First commissioned on

Warranty period

Dealer's stamp

Warranty

L&W will uphold warranty claims made during a period of 12 months from the invoice date.

If the compressor was purchased from an official L&W dealer, the date on the dealer's invoice is valid. Warranty claims can only be made on presentation of the original invoice.

Should verifiably defective parts have been delivered, we will decide to either replace the parts or repair them. The resulting transport and assembly costs will be invoiced.

No reduction of the purchase price or changes to the contract can be made. The parts for which a claim is being made should be kept safe by the purchaser and, when requested, sent to us at their cost. Replaced parts become the property of L&W. If maintenance work is carried out without our knowledge or permission by the purchaser or a third party, we are absolved from any liability for warranty claims. As a matter of principle, warranty claims can only be made by the initial purchaser.

Operating Instructions

Breathing Air Compressor

LW 570 E II Compact





TABLE OF CONTENTS

General Information & Technical Data

General Information / Description of Warning Symbols	4
Scope of Delivery	5
Technical Data	6
Unit Assembly	7
Switchboard	8
Flow Chart	9
Flow Chart - Option	10

Safety Precautions

Intended Use / Operators	12
Safety Instructions on the Unit	13
General Safety Precautions	14
Unit Customised Safety Notices	15
Maintenance Instructions	16
Transportation Instructions / Safety Regulations	17

Installation

Installation in Closed Rooms	19
Dimensions	20
Minimum Distances	21
Ventilation	22
Electrical Installation	23 - 24

Operation

Important Operation Instructions	26
First Commissioning	27 - 29
Daily Commissioning	30
Filling Procedure	31
Switch Off Compressor Unit	32

Remedying Faults	34 - 37
-------------------------------	---------

Maintenance & Service

Service, Repair and Maintenance	39
Maintenance Lists / Maintenance Intervals	40 - 43
Service Kits	44
Check V-Belt Tension / Tension V-Belt	45
Compressor Lubrication / Check Oil Level	46
Oil Change	47
Oil Sieve Change	48

A



TABLE OF CONTENTS

Maintenance &Service

Oil / Water Separators 1st, 2nd & 3rd Stage - Maintenance	49 - 50
Filter Housing / Filter Cartridge	51
Filter Cartridge Replacement.....	52
Filter Housing - Maintenance.....	53
Inlet Filters / Inlet Filter Cartridge Change	54
Cylinder Heads and Valves	55
Replace In- / Outlet Valves 1st & 2nd Stage	56 - 57
Replace In- / Outlet Valves 3rd & 4th Stage	58
Replace Piston Rings and Needle Bearings of the 2nd, 3rd & 4th Stage.....	59 - 60
Safety Valves	61
Pressure Maintaining / Non Return Valve	62
Safety Valve Test	63
Leak Test - Option	64
Pressure Vessel Test	65
Maintenance Records	67 - 71

Storage

Conservation / Storage of Compressor Unit	72
De-conservation, Re-commissioning	72
Transportation Instructions / Disposal	73

A

GENERAL INFORMATION

General Information

We strongly recommend to read this manual thoroughly prior to operation and to follow all the safety precautions precisely. Damage resulting from any deviation from these instructions is excluded from warranty and liability for this product. Carry out other commissioning steps only if you have fully understood the following contents.

Before commissioning and using the unit, carry out all the essential preliminary work and measures concerning legal regulations and safety.

These are described on the following pages of this operation manual.

A

Description of Marks & Warning Signs

The following warning signs are used in this document to identify the corresponding warning notes which require particular attention by the user. The warning signs are defined as follows:



Caution

Indicates an imminently hazardous situation which, if not avoided, could result in serious injury, physical injury or death.



Warning

Indicates a potentially hazardous situation which, if not avoided, could result in physical injury or damage to the product or environment.



Note

Indicates additional information on how to use the unit.



DESCRIPTION

Scope of Delivery

Compressors are provided in different equipped versions.

Versions

Filling pressure versions:

- PN 225 bar
- PN 330 bar
- PN 225 / 330 bar

Specifications

- Electro motor (400V / 3 Phase / 50 Hz)
- Painted steel housing (RAL 6026)
- Hour counter
- Operating panel c/w start/stop, as well as emergency stop switch
- 1 x Filling hose c/w filling valve
- Filling connectors to your choice (DIN 200 or 300 bar, CGA 200 or 300 bar, INT)
- Motor protection switch
- Pressure maintaining and non return valve
- All pistons c/w steel piston rings
- Improved lubrication system c/w oil filter
- Low pressure oil pump c/w oil sieve
- Oil- / Water separators after each stage
- Safety valves after each stage
- 4 concentric suction/pressure valves
- 1.7 ltr. filter housing
- Breathing air purification an accordance to EN 12021

Options

- Power cable and plug
- Oil pressure gauge
- Intermediate pressure gauges
- Additional high pressure outlet
- Oil pressure monitoring c/w auto shut down
- Oil temperature display with auto shut down
- Automatic stop at final pressure
- Auto start system
- Automatic condensate drain
- 10 ltr. condensate tank with venting silencer
- Condensate-stop-valve
- 0.8 ltr. pre filter
- 2.3 ltr. filter housing
- 200 and 300 bar parallel filling pressures
- Cylinder head temperature monitoring with auto shut down
- Puracon filter monitoring (Auto shut down also available)
- ECC control in remote control box
- Block heating device
- Air cooler connecting kit
- Phase monitoring c/w shut down at wrong direction of rotation
- Special voltages / frequencies on request
- 420 bar Version

DESCRIPTION

Technical Data



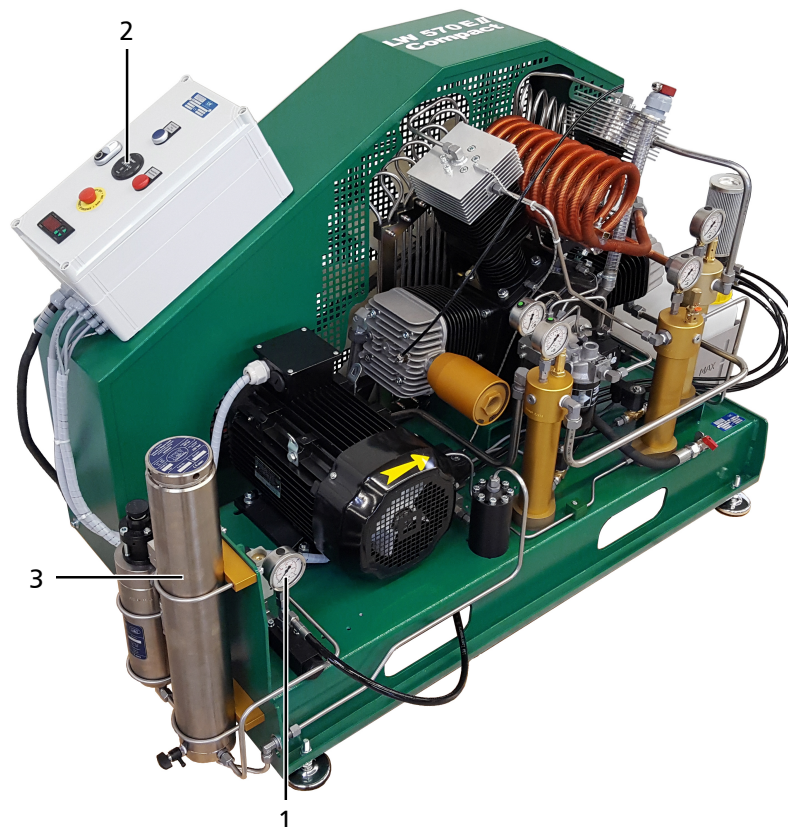
A

Technical Data	LW 570 E II Compact
Flow Rate [l/min]:	570
Max. Operating Pressure [bar]:	350
RPM [min ⁻¹]:	1,060
Number of Pressure Stages:	4
Cylinder Bore 1st Stage [mm]:	Ø 105
Cylinder Bore 2nd Stage [mm]:	Ø 50
Cylinder Bore 3rd Stage [mm]:	Ø 25
Cylinder Bore 4th Stage [mm]:	Ø 14
Medium:	Compressed Air / Breathing Air
Intake Pressure:	atmospheric
Oil Pressure (at operating temperature) [bar]:	+2.0 (±0.1)
Oil Capacity [l]:	2.9
Intake Temperature [°C]:	0 < +45
Ambient Temperature [°C]:	+5 < +45
Cooling Air Volume [m ³ /h]:	> 4,500
Voltage:	400 V / 3 phase / 50 Hz
Protection Class Drive Motor:	IP 54
Drive Power [kW]:	15
RPM Motor [min ⁻¹]:	2,890
Start:	Star/Delta
Noise Level [dB(A)]:	82,7 at distance of 1 m 77 at distance of 3 m
Dimensions W x D x H [mm]:	795 x 1,407 x 918
Weight [kg]:	353
Content Volume Final Filter Housing [l]:	1.7

DESCRIPTION

Front View

A



No.	Designation
1	Filling Pressure Gauge
2	Switchboard
3	Filter Housing

DESCRIPTION

Switchboard

A

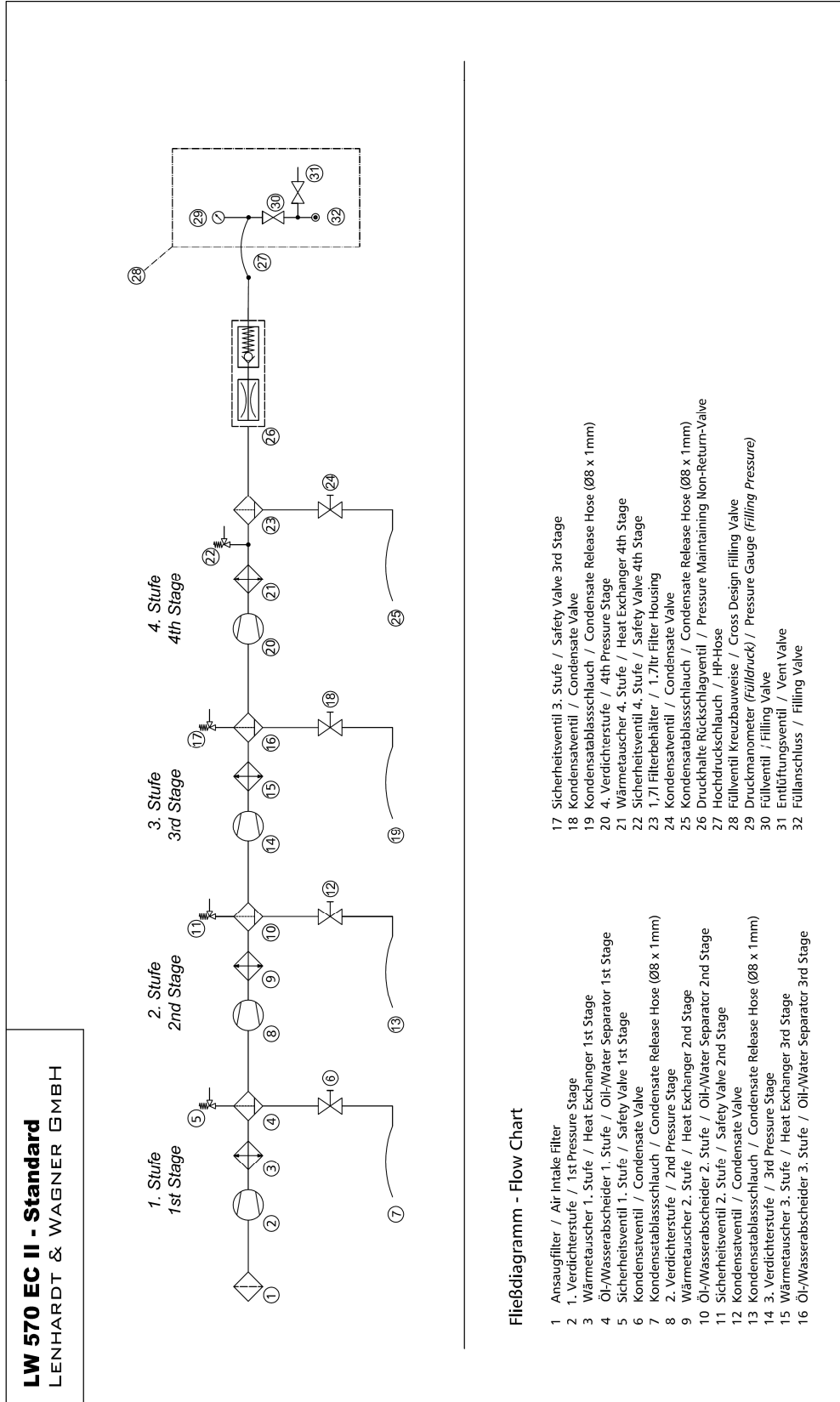


No.	Designation
1	ON / OFF Button
2	Hour Counter
3	Motorprotec LED
4	Emergency Shut-Off Switch

DESCRIPTION

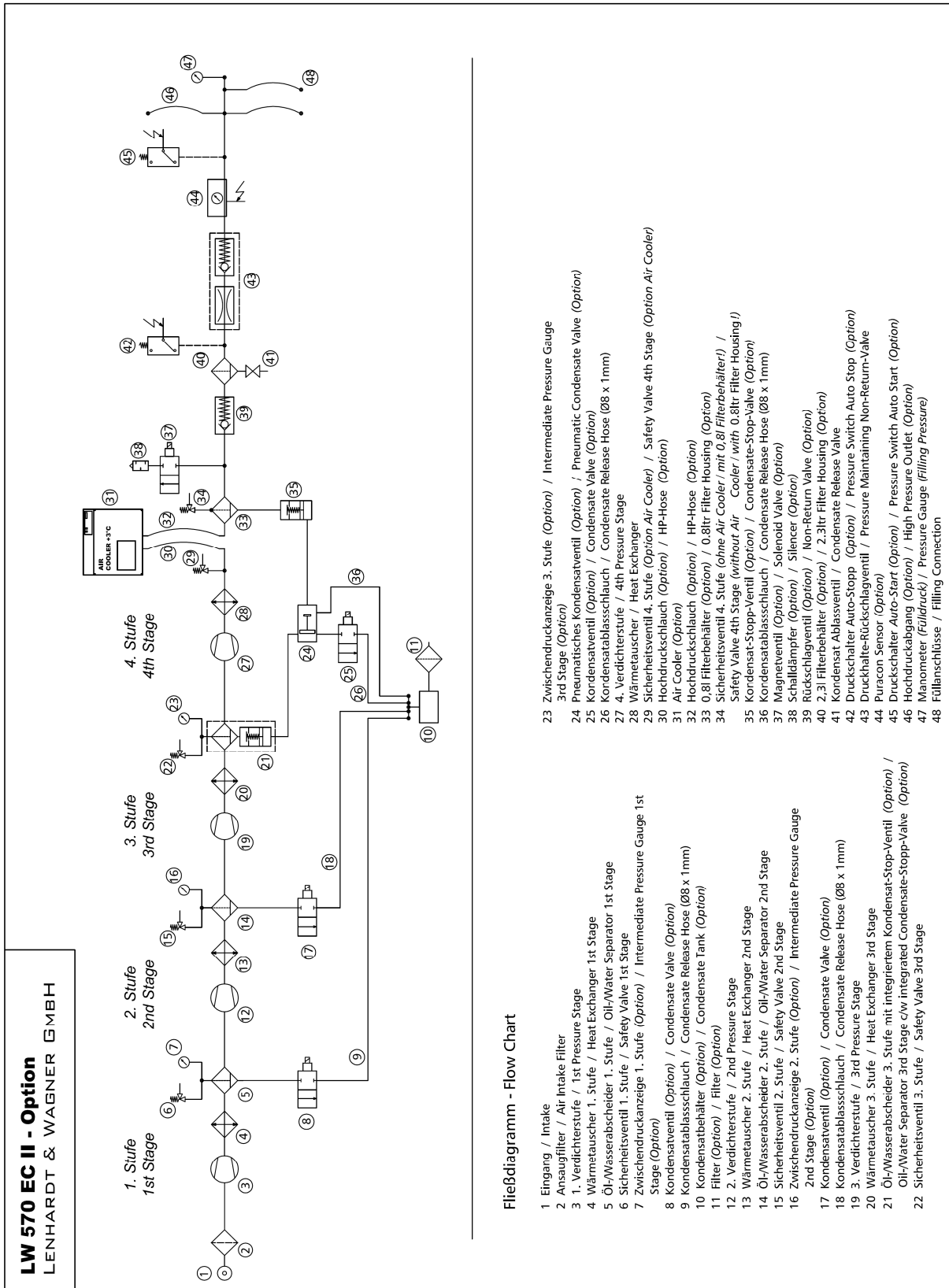
Flow Chart - Standard

A



DESCRIPTION

Flow Chart - Option





A

SAFETY PRECAUTIONS



SAFETY PRECAUTIONS

Intended Use

Only use the unit in perfect condition for its intended purpose, safety and intended use and observe the operating instructions! In particular disorders that may affect safety have to be eliminated immediately!

Use the unit exclusively for the determined medium (see "Technical Data"). Any other use that is not specified is not authorized. The manufacturer/supplier shall not be liable for any damages resulting from such use. Such risk lies entirely with the user. Authorization for use is also under the condition that the instruction manual is complied with and inspection and maintenance requirements are enforced.

No change and modification to the unit can be made without the written agreement of the manufacturer. The manufacturer is not liable for damage to persons or property resulting from unauthorized modifications.

Operators

Target groups in these instructions;

Operators

Operators are persons who are authorized and briefed for using the compressor.

Qualified personnel

Qualified personnel are persons who are entitled to repair, service, modify and maintain the system.



Warning

Only trained personnel are permitted to work on the unit!



Warning

Work on the electrical equipment on / with the machine / unit may only be carried out by qualified electricians.

SAFETY PRECAUTIONS

Safety Instructions on the Unit

Importance of notes and warning signs that are affixed to the compressor according to the application or its equipment.

A



Warning
High Voltage!



Note
Ensure correct direction of rotation!



SAFETY PRECAUTIONS

General Safety Precautions

- Read the Operating Instructions of this product carefully prior to use.
- Strictly follow the instructions. The user must fully understand and strictly observe the instructions. Use the product only for the purposes specified in the intended use section of this document.
- Do not dispose the operating instructions. Ensure that they are retained and appropriately used by the product user.
- Only trained and competent personnel are permitted to use this product.
- Comply with all local and national rules and regulations associated with this product.
- Only trained and competent personnel are permitted to inspect, repair and service the product.
- Only authentic L&W parts and accessories may be used for maintenance work. Otherwise, the proper functioning of the product may be impaired.
- Do not use faulty or incomplete products. Do not modify the product.
- Inform L&W in the event of any product or component fault or failure.
- The quality of the air supply must meet EN12021 specifications for breathing air.
- Do not use the product in areas prone to explosion or in the presence of flammable gases. The product is not designed for these applications. An explosion might be the result if certain conditions apply.

A



SAFETY PRECAUTIONS

Unit Customised Safety Notices

Organisational Measures

- In addition to the instruction manual, observe and comply with universally valid legal and other obligatory regulations regarding accident prevention and environment protection.
- In addition to the instruction manual, provide supplementary instructions for supervision and monitoring duties taking into consideration exceptional factors e.g. with regard to organisation of work, production, personnel employed.
- Supervise personnel's work in accordance with the instruction manual, taking into account safety and danger factors.
- Observe all safety and danger notices on the compressor and check readability and completeness.

Safety Instructions Operation

- Take measures to ensure that the machine is only taken into operation under safe and functional conditions. Only operate the compressor if all protective and safety equipment, e.g. detachable protective equipment, are provided and in good working order.
- Check the compressor at least once per day for obvious damage and defects. Inform the responsible department / person immediately if anything is not as it should be (including operation performance). Shut down the machine immediately if necessary and lock it.
- In case of malfunction, stop the compressor immediately and lock it. Repair malfunctions immediately.
- If there is a failure in the electric energy supply, shut down the machine / unit immediately.
- Ensure safe and environmentally friendly disposal of consumables and old parts.
- The stipulated hearing protectors must be worn.
- Soundproofing equipment on the compressor has to be activated in safety function during operation.
- When handling with fats, oils and other chemical agents, observe the note for the product-related safety.

A



SAFETY PRECAUTIONS

Maintenance Instructions

- Hoses have to be checked by the operator (pressure and visual inspection) at predetermined intervals, even if no safety-related defects have been detected.
- Immediately repair any damage. Escaping compressed air can cause injury.
- Depressurise system and pressure lines before beginning repair work.
- Adjustment, maintenance and inspection activities and keep appointments, including information on replacement parts / equipment, prescribed in the operating instructions have to be respected.
- If the machine / equipment is completely off during maintenance and repair work, it must be protected against unexpected restart. Turn off main control device and remove the key and/or display a warning sign on the main switch.
- The machine and especially the connections and fittings should be cleaned from oil, fuel and maintenance products at the beginning of the maintenance / repair. Do not use aggressive cleaning agents. Use fibre-free cleaning cloths.
- Only clean the compressor with a slightly damp cloth. Remove dirt from cooling pipes by using a brush.
- After cleaning, examine all pipes for leaks, loose connections, chafing and damage. Immediately eliminate any faults.
- Always retighten any pipe connector loosened for maintenance or repair work.
- If it is necessary to remove safety devices for maintenance and/or repair work, these must be replaced and checked immediately after completion of the maintenance and/or repair work.
- The electrical equipment of the compressor must be regularly checked. Defects, such as loose screw connections or burnt wires, must be immediately rectified by electrically skilled personnel.
- Only personnel with particular knowledge and experience with pneumatics may carry out work on pneumatic equipment.
- Only personnel with particular knowledge and experience in gas equipment may carry out work on gas equipment.

A



SAFETY PRECAUTIONS

Transportation Instructions

- Parts which need to be dismantled for transport purposes must be carefully replaced and secured before taking into operation.
- The transport may only be carried out by trained personnel.
- For transportation, only use lifting devices and equipment with sufficient lifting power.
- Do not stand or work under suspended loads.
- Also separate from minor relocation machinery / system of any external energy supply. Before recommissioning, reconnect the machine to the mains according to regulations.
- When recommissioning, proceed according to the operating instructions..

Safety Regulations

- Inspections according to legal and local obligatory regulations regarding accident prevention are carried out by the manufacturer or by authorised expert personnel. No guarantees whatsoever are valid for damage caused or favoured by the non-consideration of these directions for use.

A



A

INSTALLATION

INSTALLATION

Installation in Closed Rooms



Danger

No operation in explosion-hazard areas.

The unit is not approved for operation in areas prone to explosion.

For installation in closed rooms, observe the following:

- Install the unit horizontally and level. The floor must be vibration-free and capable of taking the load of the system weight.
- The compressor room should be clean, dry, dust free and as cool as possible, but should not exceed the minimum temperature of +5°C. Avoid direct exposure to sunlight. If possible, install unit in such a manner that the compressor fan can intake fresh air from outside. Ensure adequate ventilation and exhaust air opening.
- When locating the compressor in rooms of less than 30 m³ space, where natural ventilation is not ensured or other systems having high radiation are operating in the same room, measures must be taken to provide artificial ventilation.
- Intake air must be free of noxious gas e.g. smoke, solvent vapours, exhaust fumes etc.
- Observe the specified operating temperature (see "Technical Data")!



Note

The intake air must be free of harmful gases.

We recommend to use an intake hose in order to get fresh air from the outside.

Benchmarks - Diameter of the suction hose as a function of the suction hose length

Pos.	Length of suction hose [m]	Diameter suction hose [mm]
1	≤ 3	Ø 30
2	≤ 10	Ø 80
3	≤ 15	Ø 100
4	≤ 20	Ø 120

INSTALLATION

Dimensions

A

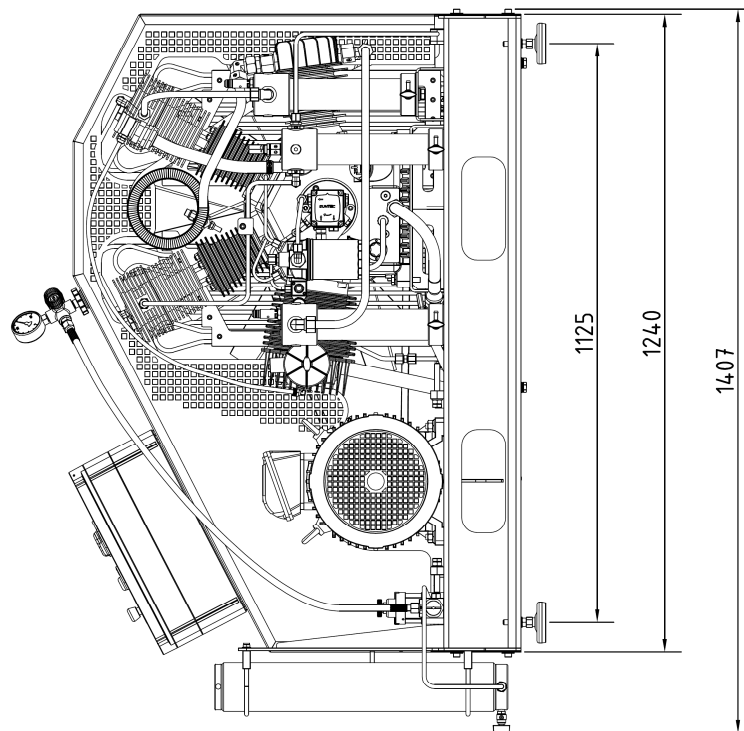
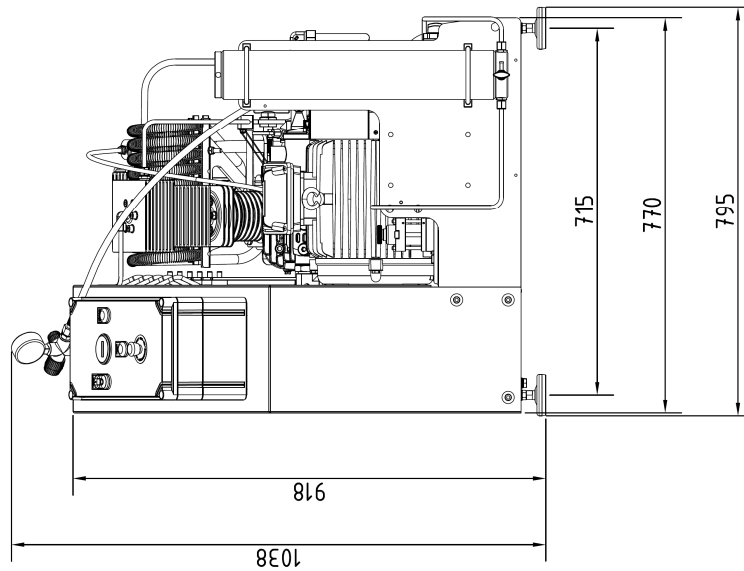


Fig. Dimensions

INSTALLATION

Minimum Distances



Note

Minimum distances must be adhered!

- The following minimum distances must be adhered:
Front side: > 1500 mm
Sides and rear side: > 500 mm
Distance to ceiling: > 500 mm
Avoid anything in these areas which would restrict cooling air flow.

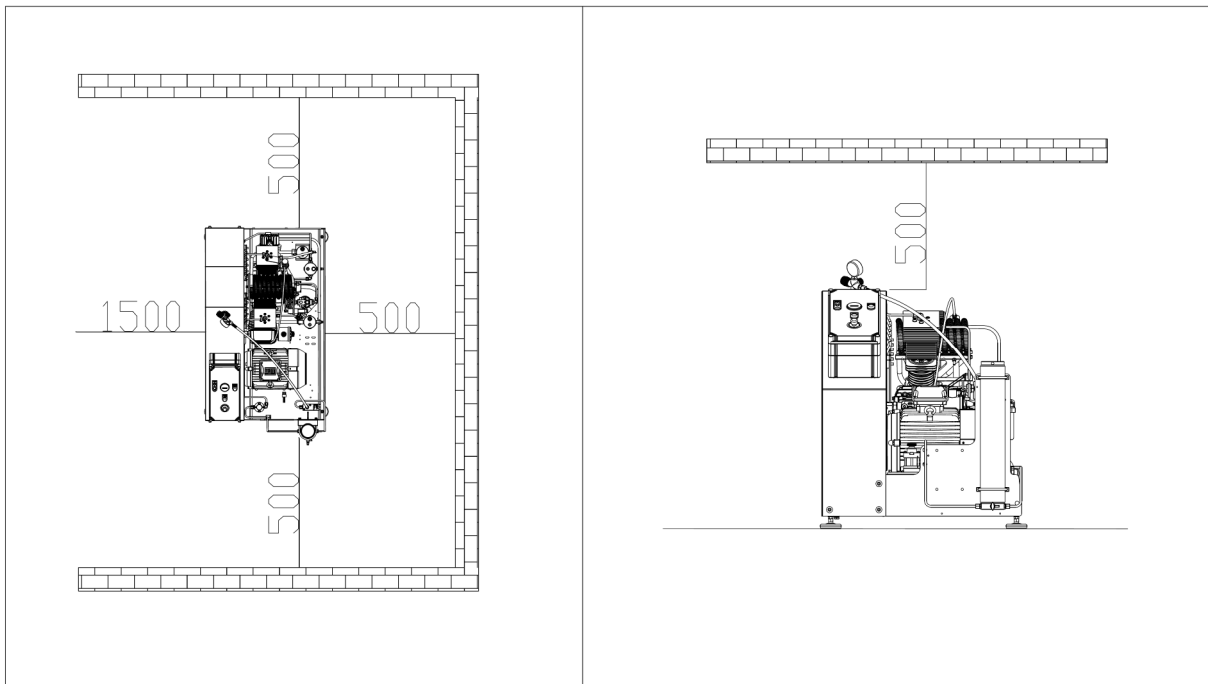


Fig. Minimum distances

INSTALLATION

Ventilation

- Make sure that the compressor always has sufficient amount of fresh air available for cooling.
- To prevent serious damage, ensure that the cooling air flow can flow freely.
- The necessary cooling air flow can be calculated by using the following formula:
 $300 \times \text{drive power [kW]} = \text{required cooling air flow [m}^3/\text{h]}$
 Example 15 kW motor: $300 \times 15 \text{ kW} = 4500 \text{ m}^3/\text{h} = \text{required cooling air flow.}$
- Fan capacity for cooling air in- & outlet must be sufficient.
 Always make sure that ambient temperatures are within the stated limits ($+5^\circ\text{C} < +45^\circ\text{C}$).

A

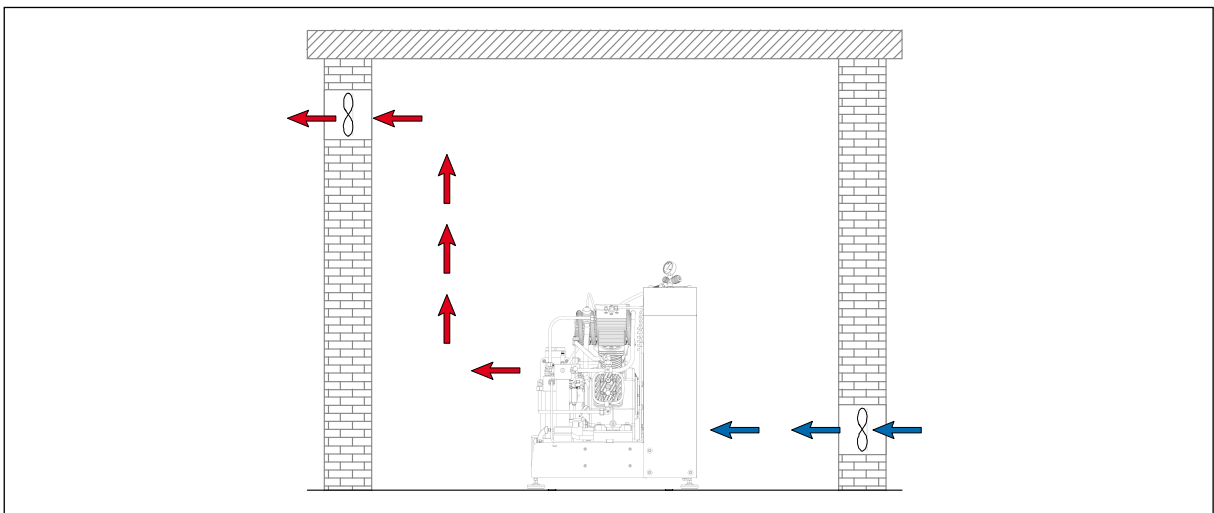


Fig. Ventilation through facade

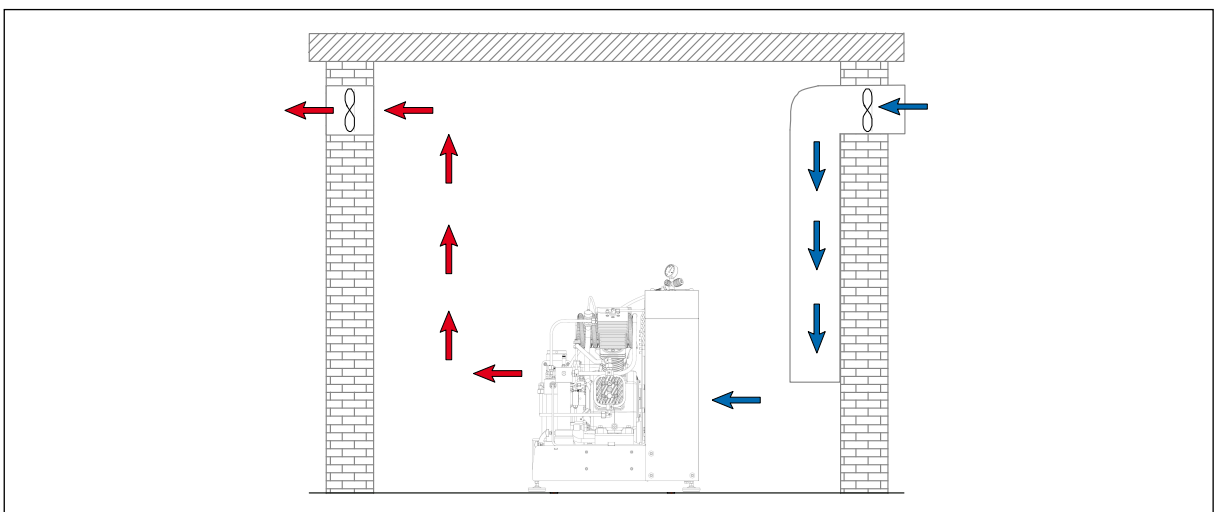


Fig. Ventilation via ventilation stack

INSTALLATION

Electrical Installation



Warning

Work on the electrical equipment on / with the machine / unit may only be carried out by qualified electricians.

For installation of electrical equipment, observe the following:

- If control devices are delivered by the factory, refer to the appropriate wiring diagram.
- Ensure correct installation of protective conductors.
- Check conformity of motor and control device voltage and frequency with those of the electric network (see name plate on the compressor).
- The fusing should be done in accordance with the valid regulations of the responsible electricity supply company.
- When connecting the unit to the electrical supply, check the compressor direction of rotation (see chapter "Maintenance" -> Check turning direction).
- Fuse the motor correctly (see table; use slow-blow fuses).

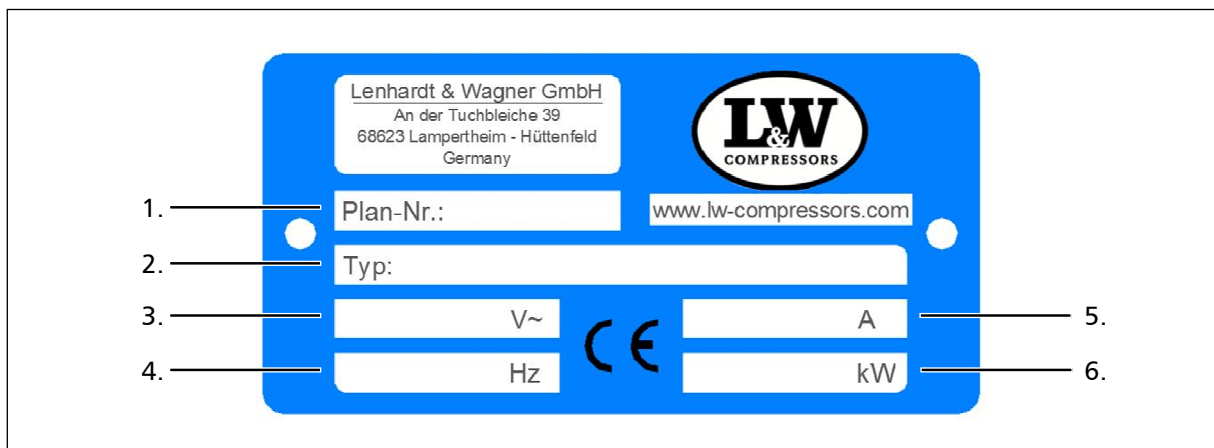


Fig. Compressor name plate

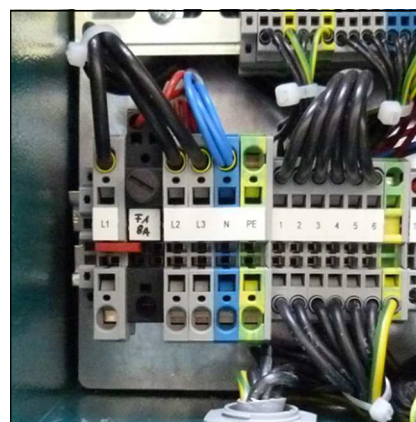
No.	Designation
1.	Circuit diagram number
2.	Compressor type
3.	Power supply
4.	Frequency
5.	Motor current consumption
6.	Nominal motor power

INSTALLATION

Electrical Installation

The standard compressor version is prepared for the connection to three phases (brown, black, grey), neutral conductor (blue) and protective earth conductor (green/yellow).

Fig. - Connection to the switch box



A

Recommended fuses for 360 - 500 V operating voltage

Nominal motor power		Fusing start current A		Connection in mm ²	
[kW]	[A]	Direct	Star/Delta	Contactor supply	Motor S/D
2.2	5	10	-	1.5	1.5
4	8.5	20	-	2.5	1.5
5.5	11.3	25	20	2.5	1.5
7.5	15.2	30	25	2.5	1.5
11	21.7	-	35	4	2.5
15	29.9	-	35	6	4
18.5	36	-	50	6	4
22	41	-	50	10	4
30	55	-	63	10	6

Recommended fuses for 220 - 240 V operating voltage

Nominal motor power		Fusing start current [A]		Connection in mm ²	
[kW]	[A]	Direct	Star/Delta	Contactor supply	Motor S/D
2.2	8.7	20	-	1.5	1.5
4	14.8	25	-	2.5	1.5
5.5	19.6	35	25	4	2.5
7.5	26.4	50	35	6	4
11	38	-	50	6	4
15	51	-	63	10	4
18.5	63	-	80	16	6
22	71	-	80	16	6
30	96	-	125	25	10



A

OPERATION



OPERATION

Important Operation Instructions



Note

Ensure that all persons handling the compressor are familiar with function and operation of the unit.



Wear hearing protection

When working on a running machine, always wear hearing protection.

A

FIRST COMMISSIONING

A

Prior to first commissioning, observe the following:

Necessary steps are described on the next page.

- Ensure that cooling air flow is not restricted.
- Check compressor oil level by the oil indicator glass (see page 27).
- Check all connections and retighten if necessary.
- Check if filter cartridge is in place (see "Service and Maintenance").
- Check V-belt tension.
- Connect HP-hose to pipework, storage or filling panel.
- Check if all filling / storage valves are closed.
- Grip filling connector and open filling valve
- Start the compressor by pushing the ON button (ECC Version: key 1).
- Check direction of rotation - see arrow marking near impeller (see page 28).
If the direction of rotation is wrong, immediately stop the compressor by pushing the OFF button and contact an authorised electrician.
- Check oil pressure (if oil pressure gauge is fitted).
- Run compressor unit for about 2 minutes.
- Carefully close the open filling valve.
- Run the compressor up to the maximum pressure and check that the safety valve limits the final pressure. If the final pressure continues to rise, immediately switch off the compressor by using the OFF button (see chapter "REMEDYING FAULTS").
- Check the compressor unit for any kind of leaks (see "SERVICE AND MAINTENANCE")
- Check the condensate drain valves:
 - Position and fix condensate hoses (use suitable container).
 - Open condensate valve.
 - Check if air escapes through every single drain hose.
- Stop the compressor by pushing the OFF button (ECC Version: key 0).

Warning



Motor is turning the wrong direction!

Immediately after switching on the compressor, check the direction of rotation.

Depending on the location, the phase sequence of the power line could change the direction.

FIRST COMMISSIONING

Check Oil Level



Warning

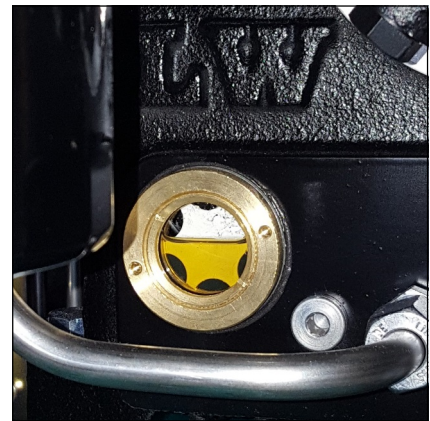
Check oil level daily. Never start the compressor with low oil level.
Lack of lubrication can cause major damage.

Check oil before each operation of the system!

The oil level should be between the middle position and the upper end of the oil indicator glass.

Never start the compressor with low oil level.

Refill new compressor oil at least when the oil level has reached the middle position of the indicator.



Oil level indicator

Check V-Belt Tension

The V-belts could lose tension during transportation.
Check the V-belt tension before starting the compressor.

Tension V-Belt / Correct V-Belt Tension

See chapter "Service and Maintenance" -> "Tension V-belts"

FIRST COMMISSIONING

Check Rotation Direction



Warning!

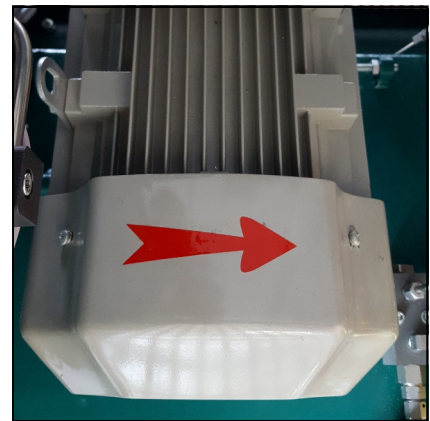
Immediately after switching on the compressor, check direction of rotation.

Before starting the compressor for the first time, check the direction of rotation - see arrow marking near impeller.

If the direction of rotation is wrong, the gear type oil pump would not supply any oil, which could lead to damage.

Furthermore, cooling air flow will not be sufficient:

- Danger of overheating!



Arrow Marking

A



DAILY COMMISSIONING

Prior to daily operation observe the following:

- Ensure cooling air can flow freely.
- Check compressor oil level by the oil sight glass.
- Check if filter cartridge is in place / observe filter cartridge life!
- Ensure toxic-free, pure intake air.

A

OPERATION

Filling Procedure



Caution! Only fill cylinders which:

- are marked with the test mark and the test stamp of the expert
- have been hydro tested (check last test date)
- are rated for at least the intended filling pressure
- are free of moisture, dust and dirt



Note

- The unit don't shuts down when final pressure is reached.
- you have to switch off the compressor manually, by pushing the OFF button

1. Close all filling valves.
2. Connect the compressed air cylinders.
3. Open cylinder valves.
4. Start compressor by pressing the ON button.
5. If the filling pressure increases, slowly open the filling valves.
6. Fill compressed air cylinders to the desired pressure, subsequently close the filling valves slowly.
7. Turn-off the compressor by pressing the OFF button.
8. Vent filling connectors (L&W lever valves are self venting types)
9. Disconnect compressed air cylinders from filling valves.



OPERATION

Switch off compressor Unit

During filling process, you can turn-off the system at any time by pushing the red button (OFF) or pressing the emergency stop (only in case of emergency!).

A



Note

After switching off the compressor, the water separators from the 1st to 3rd stage and the high pressure separator of the compressor, must be vented to restart the compressor.



A

REMEDYING FAULTS

REMEDYING FAULTS

Compressor does not reach final pressure

Cause of fault	Remedy
Connections leaking	Retighten or clean/replace if necessary
Final pressure safety valve leaking	Replace
Pipes / heat exchanger damaged	Replace
Condensate drain valves leaking	Unscrew valves, check sealing surfaces, clean, replace if necessary
Final pressure switch stop unit (Option)	Verify settings, replace if necessary
Piston of pneumatic condensate valve seized (Option)	Clean pneumatic condensate valve and restore function, check/replace o-rings, replace valve completely if necessary

Strong Compressor Vibration

Cause of fault	Remedy
V-belt tension too loose	Tension V-belt
Drive motor / Compressor unit loosely	Retighten mounting screws
Anti vibration mounts used up	Replace
Ground not levelled	Ensure a solid and level ground

Flow Rate too Low

Cause of fault	Remedy
Inlet and outlet valves contaminated / defective	Clean, replace if necessary
Cylinder(s), piston(s) or piston ring(s) used up	Replace
V-belt slips	Tension V-belt
See chapter "Final pressure can not be reached"	See chapter "Final pressure can not be reached"

REMEDYING FAULTS

Compressor Overheated

Cause of fault	Remedy
Inlet filter cartridge contaminated	Replace
Ambient temperature too high	Improve room ventilation /
Cooling air inlet and outlet insufficient	Observe minimum distances (see Installation Instructions)
Air intake hose too long	Reduce length of the air intake hose
Air intake hose diameter too small	Use a larger diameter
Wrong compressor rotation direction	Ensure correct phase rotation,
Inlet and outlet valves contaminated / defective	Clean, replace if necessary

Safety Valve Leaks

Cause of fault	Remedy
Inlet and outlet valves of the following pressure stage defective	Clean, replace if necessary
Sinter filter of the following water separator blocked	Replace
Safety valve leaky	Replace

Oil Taste in the Air

Cause of fault	Remedy
Mole carbon filter cartridge saturated	Replace
Compressor oil unsuitable	Use prescribed oil quality
Filter cartridge unsuitable	Use prescribed filter type
Cylinder(s), piston(s) or piston ring(s) defective	Replace

REMEDYING FAULTS

Automatic Condensate Drain Defective (Option)

Cause of fault	Remedy
Solenoid coils defective	Replace
Cable / supply cable defective	Repair, replace if necessary
Timer / relais defective	Replace
Sinter filter of pneumatic condensate valve blocked	Replace
Piston of pneumatic condensate valve sticks	Clean pneumatic condensate valve and restore function, check/replace o-rings, replace valve complete if necessary

Condensate Drain Starts before reaching Final Pressure (Option)

Cause of fault	Remedy
Pressure stages are not as prescribed, control pressure of pneumatic condensate valve too low	Check corresponding inlet and outlet valve, replace if necessary.
Piston sealing of pneumatic condensate valve contaminated / used up	Clean, replace if necessary
Timer / relais settings not correct	Adjust as prescribed
Timer / relais defective	Replace

Compressor Stops before Final Pressure (Option)

Cause of fault	Remedy
Final pressure switch settings not correct	Correct settings
Opening pressure of the pressure maintaining valve too high	Correct settings
Fuse / circuit breaker has tripped Valid only for E models	Check fusing of the power supply / observe regulations
Emergency stop switch has tripped	Unlock emergency stop switch, close compressor housing door correctly



REMEDYING FAULTS

Filter Life not Sufficient

Cause of fault	Remedy
Pressure maintaining valve settings not correct	Adjust as prescribed
Filter cartridge unsuitable	Replace by a prescribed filter cartridge type
Filter cartridge too old	Observe expiration date
Filter cartridge packaging incorrect / damaged / already opened. Filter cartridge already partly saturated before change	Store filter cartridges properly, dispose defective cartridges
Operating temperature too high	Ensure sufficient ventilation
Cylinder(s), piston(s) or piston ring(s) defective	Replace

Oil Consumption too High

Cause of fault	Remedy
Cylinder(s), piston(s) or piston ring(s) defective	Replace
Compressor oil unsuitable	Use prescribed oil quality
Operating temperature too high	Observe prescribed operating temperatures
Oil leak at the compressor block	Tighten corresponding mounting screws, if necessary replace corresponding paper sealing / o-ring / shaft seal

A



A

MAINTENANCE AND SERVICE

Service, Repair and Maintenance

Carry out service and maintenance work exclusively when the compressor is stopped and depressurised. The unit should be leak-checked regularly. Leaks can be preferably localised by using a leak detector spray (if necessary, brush pipes with soapy water).

We recommend that only authorised L&W service technicians carry out service work on the bearing of the compressor (crankshaft and connecting rods).

We urgently recommend that all maintenance, repair and installation work must only be carried out by trained personnel. This is necessary because all maintenance work can not be explained exactly and detailed in this manual.

Only use authentic L&W spare parts for service work.



Danger

Components under pressure, such as hose ends, can quickly come loose when manipulated and can cause potentially fatal injuries due to the pressure surge. Any work on system parts may only be performed in a pressure-compensated state.



Warning

The use of accessories that have not been tested can lead to death or serious injury or damage to the unit. Only use authentic L&W spare parts for service work.



Warning

Carry out maintenance or service work when the unit is switched off and protected against unexpected restart.



Warning

Risk of burns!

Carry out maintenance or service work when the unit has cooled down.



MAINTENANCE AND SERVICE

Daily before taking it into Operation

Maintenance work	Type	Quantity	Order No.
Check oil level	-	-	000001
Check condition of all high pressure hoses	-	-	-
Check filter cartridge lifetime	-	-	-
Operate unit to final pressure and check function of final pressure switch	-	-	-

At 25 Operation Hours

Maintenance work	Type	Quantity	Order No.
Oil change	-	2,9	000001
Replace oil filter cartridge	-	1	009446

Every 3 Months or as Required

Maintenance work	Type	Quantity	Order No.
Check/Retorque all connections and bolts Drain final filter housing in regular intervals, in dependance to the amount of liquids	-	-	-
Open solenoid valve at the 2.3ltr filter housing, drain condensate if necessary	-	-	-

MAINTENANCE AND SERVICE

Annually

Maintenance work	Type	Quantity	Order No.
Oil change, if less than 1000 operating hours	-	2.9	000001
Replace Oil Filter Cartridge, if less than 1000 operating hours	-	1	009446
Check V-belt tension and condition	LW 570 E II Compact (50Hz)	2	001413
	LW 570 E II Compact (60Hz)	2	002878
Check opening pressure of final safety valve	-	-	-
Clean coolers	-	-	-
Clean all oil/water separators, if less than 500 operating hours	-	-	-
Service intake filter (depends on condition - if less than 500 operating hours)	-	-	-
Check all connections for leakage	-	-	-

Every 500 Operating Hours

Maintenance work	Type	Quantity	Order No.
Change intake filter *	-	1	000170
Check pressure maintaining/non-return valve	-	-	-
Check V-belt tension and condition	LW 570 E II Compact (50Hz)	2	001413
	LW 570 E II Compact (60Hz)	2	002878



*** Note**

Article is part of our 1000h, 2000h and 4000h service kits.

MAINTENANCE AND SERVICE

Every 1000 Operating Hours

Maintenance work	Type	Quantity	Order No.
Replace V-belt	LW 570 E II Compact	2	001413
	LW 570 E II Compact	2	002878
Replace sintered metal filter element of water separators	1 / 2 / 3 Stage	3	000173
Replace o-rings of water separators	1 / 2 / 3 Stage	9	001272
Replace oil sieve	-	1	009545
Replace oil pump cover gasket	-	1	009546
Replace Oil Filter Cartridge	-	1	009446
Oil change	-	2,9	000001
Replace o-rings of the final filter housing	-	2	001287
Replace back-up rings of the final filter housing	-	2	001285
Replace intake filter	-	1	000170



Note

All stated quantities are parts of our 1000h, 2000h and 4000h service kits. You can find an overview on page Service Kits.

MAINTENANCE AND SERVICE

Every 2000 Operating Hours

Maintenance work	Type	Quantity	Order No.
Replace all inlet and outlet valves incl. gaskets	1st stage	1	000369
	2nd stage	1	000256
	3rd stage	1	010346
	4th stage	1	010347
	Upper gasket 1st	1	000349
	Upper gasket 2nd	1	000254
	Lower gasket 1st	1	000350
	Lower gasket 2nd	1	003492

Every 4000 Operating Hours (Latest in 10 years)

Maintenance work	Type	Quantity	Order No.
Replace shaft seal	-	1	008873
Replace o-ring shaft seal cover	-	1	008877
Replace needle bearings for conrod 2nd, 3rd and 4th stage	-	3	003281
Replace o-ring Cylinder flange	-	3	008874



Note

All stated quantities are parts of our 2000h and 4000h service kits. You can find an overview on page Service Kits.

MAINTENANCE AND SERVICE

Service Kits

The service kits contain parts for maintenance according to the factory requirements.

The use of the service kits ensures that all required parts are ordered and replaced and gives assurance that all parts are included in the order. Depending on the model and interval, the service kits include parts such as O-Rings, Sinter Filter, Inlet Filter, Silencers, In-&Outlet Valve, Valve Seals and Compressor oil.



Service Kits

A

Service Kits LW 570 E II Compact (ohne Kondensatautomatik)

Compressor	Operating Hours	Order No.
LW 570 E II Compact	1000 h	010104
LW 570 E II Compact	2000 h	010431
LW 570 E II Compact	4000 h	010357

Service Kits LW 570 E II Compact (mit Kondensatautomatik Pro)

Compressor	Operating Hours	Order No.
LW 570 E II Compact	1000 h	010013
LW 570 E II Compact	2000 h	010429
LW 570 E II Compact	4000 h	010355



Note

V-belts are not included in our 1000h, 2000h and 4000h service kits.

MAINTENANCE AND SERVICE

A

Tension V-Belt

Tension V-belt as follows:

- Loose nuts (A)
- Loose lock nuts (B)
- Loose adjusting screw (D)
- Tension / relieve V-belt with tensioning screw (C)
- Align the engine with adjusting screw (D)
- Tighten nuts (A)
- Tighten lock nuts (B)

Tension V-belt

Turn tensioning screw (C) clockwise

Relieve V-belt

Turn tensioning screw (C) anticlockwise

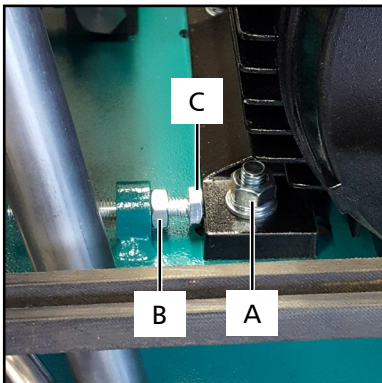


Fig. 1

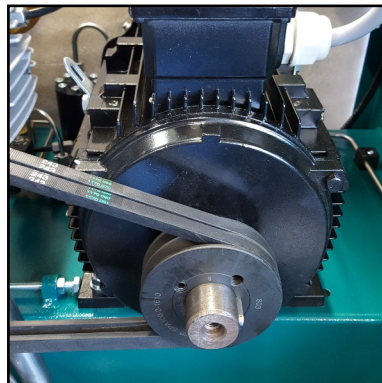


Fig. 2

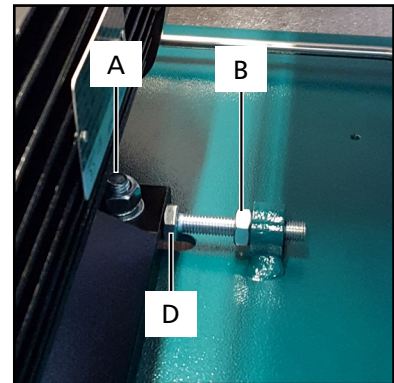


Fig. 3

Correct V-Belt Tension

Do not tension V-belt too tight. This damages bearings of compressor and motor. The V-belt should only be tensioned until there is no noise caused by slipping during start.

We recommend using a V-belt tension gauge.

Settings

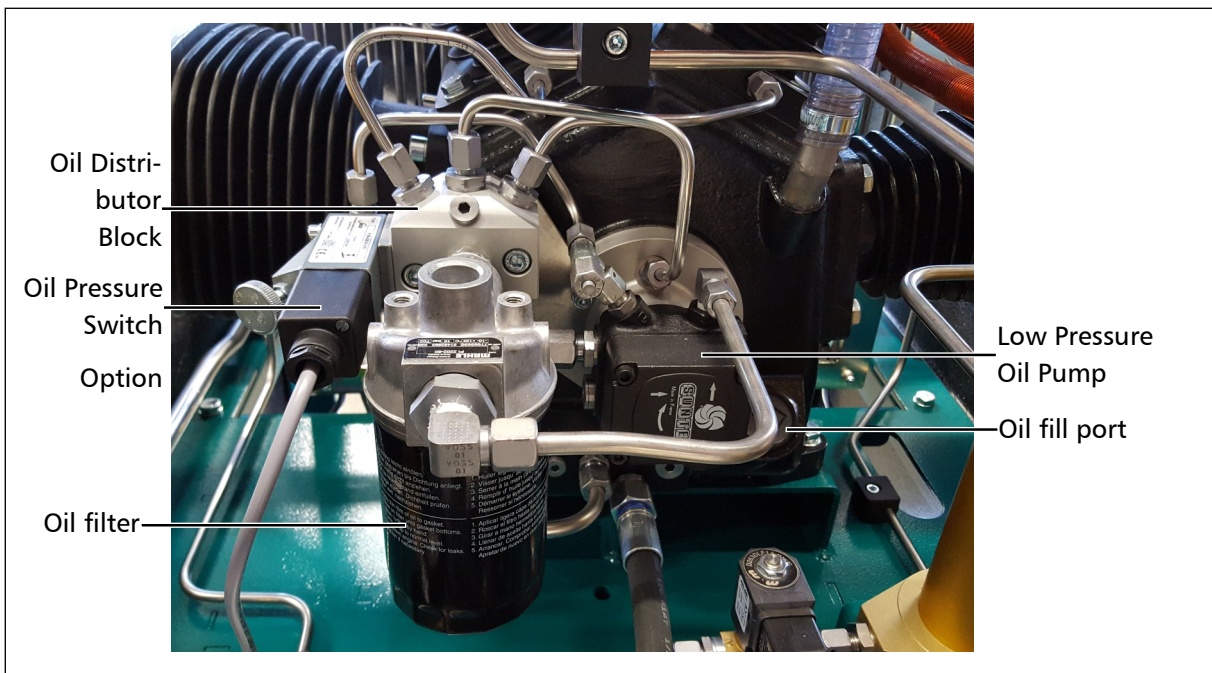
Motor Type	Initial Installation	Operation after running
Electric motors 50Hz	500 N	400 N
Electric motors 60Hz	400 N	300 N

MAINTENANCE AND SERVICE

Compressor Lubrication

Main bearings (oil pump side), conrod big end bearings and guide cylinders of 3rd and 4th stages are all lubricated by a directly driven, low pressure oil pump (gear type).

Additionally oil spray is used to lubricate the main bearing (flywheel side), plus conrods and cylinders of 1st, 2nd, 3rd and 4th stage.



Lubricating System

Check Oil Level



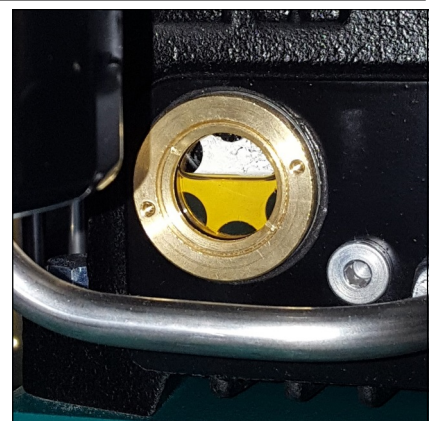
Warning

Check oil level daily. Never start the compressor with a too low oil level. Risk of accidental loss, destruction or deterioration.

Check oil before each operation of the system!

The oil level should be between the middle and upper end of the oil sight glass. Never start the compressor with a too low oil level.

Refill new compressor oil at least when the oil level reached the middle of the indicated area.



Oil sight glass



MAINTENANCE AND SERVICE

Oil Change



Note

We recommend oil change at least once a year - depending on total operating hours.

A

Oil change as follows:

- Run compressor warm for approx. 2 min.
- Switch off and vent compressor. Secure against restarting
- Place a suitable oil drain tray under the drain hose and oil filter.
- Open carefully oil drain valve and drain oil completely.
- Close oil drain valve.
- Change oil filter cartridge with a suitable oil filter key (Part number 009728)
Pre-fill the new oil filter cartridge with 400 ml synthetic compressor oil
- Loose oil fill port with an appropriate adjustable wrench (AF 0-40 mm) and unscrew manually.
- Fill oil by using a funnel.
- Check oil level. The oil level should be between the middle and upper end of the oil sight glass.
- Screw oil fill port manually in and tighten with the adjustable wrench.

The oil change is now completed.

Maintenance Intervals

- First oil- and oil filter change after 25 operating hours (total hours).
- All further changes after each 1,000 operating hours.

Oil and Oil Capacity

Approx. 2,900 ml synthetic compressor oil is necessary for one oil change. Only use synthetic compressor oil which is recommended as suitable from L&W.

MAINTENANCE AND SERVICE

Oil Sieve Change

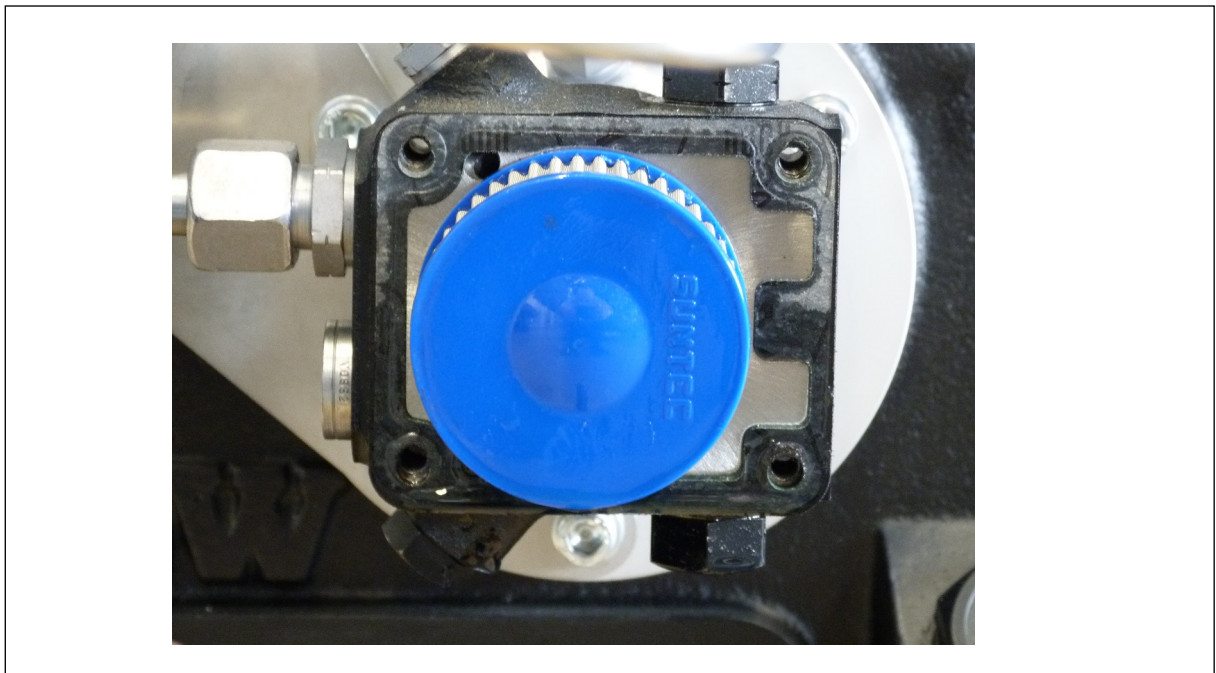
Oil sieve change as follows:

- Loose cover screws (4 pcs).
- Remove cover, cover gasket and oil sieve.
- Clean oil sieve with petroleum-ether or replace the defective oil sieve.
- Inset oil sieve
- Replace cover gasket.
- Cover gasket with oil before putting it in placing (Take care of the installation direction).
- Remount the cover with the 4 cover screws. Tightening torque: 4.5 - 8 N.

The oil sieve change is now completed.

Maintenance Intervals

- We recommend cleaning or replacing the oil sieve every 1,000 working hours.
- 009545 - Oil sieve + 009546 - oil pump cover gasket



Correct oil sieve mounting direction

MAINTENANCE AND SERVICE

Oil / Water Separators 1st, 2nd and 3rd Stage - Maintenance



Note

Clean all parts thoroughly before assembly.

Maintenance / cleaning of oil / water separators 2nd stage as follows:

- Loose pipes and mounting screw
- Remove oil / water separator
- Unscrew and remove filter top (Fig. 1)
- Loose nut of separator top (Fig. 2)
- Change sinter filter (Fig. 3)
- Reassemble all parts and tighten nut

Option

- *(Only for oil separator 3rd stage)*
Pull the condensate stop valve out of the filter housing by using threaded rod
- *Change o-ring, previously grease new o-ring (Page 50, Fig. 4).*
- *Push the condensate stop valve into the filter housing by using a threaded rod*
- Change o-ring on the top of the filter housing, previously grease new o-ring (Page 50, Fig. 5)
- Place separator top and tighten
- Remove the base ring (Page 50, Fig. 6)
- Change o-rings, previously grease new o-rings (Page 50, Fig. 7)

Option

- *Remove the connection of the base ring and change the sinter filter (Page 50, Fig. 8)*
- *Reassemble the connection*
- Mount the base ring
- Mount oil / water separator
- Tighten pipes and mounting screw

The oil / water separator maintenance is now completed.



Fig. 1 - Unscrew and remove filter top

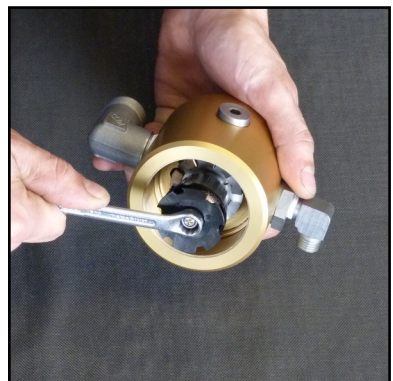


Fig. 2 - Loose nut at the separator top

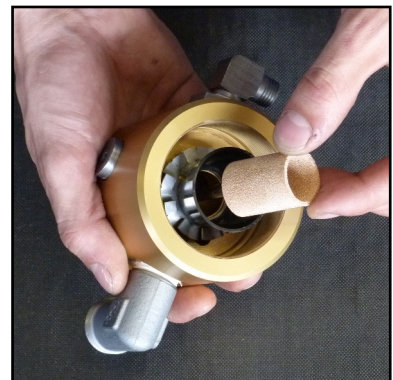


Fig. 3 - Change sinter filter

Oil / Water Separators 1st, 2nd and 3rd Stage - Maintenance - continued from previous page

A



Abb. 4 - Change o-ring



Abb. 5 - Change o-ring



Abb. 6 - Remove the base ring



Abb. 7 - Change o-rings



Abb. 8 - Change sinter filter

MAINTENANCE AND SERVICE

Filter Housing 1.7 ltr

The mole carbon filter housing is installed at the right hand side of the front panel.

Inside the filter housing a jet blows air on to the wall of the housing. Condensation water and oil are led by centrifugal force to the bottom of the housing. Air flows through the mole carbon filter cartridge, which purifies the air from residual moisture and odours. The manual condensate drain valve needs to be opened if a drain is necessary and before filter cartridge change.

Filter Cartridge 1.7 ltr

The high-pressure compressor is equipped with an integrated breathing air purification system. Air is compressed up to 350 bar, dried and odour- and tasteless purified. Oil residues are bounded. The breathing air filter cartridge consists of a molecular sieve and activated-carbon filter.

Cartridge capacity: approx. 1.7 ltr

All breathing air filter cartridges are vacuum sealed.

We recommend unpacking the filter cartridges just before installation. Filter cartridges which are exposed too long could be saturated with moisture and become unusable.

Maintenance Intervals

The life of the filter cardridge is substantially depend on the operating temperature, from the state of wear of the compressor, of the filter size and the operating pressure.

We recommend to monitor the state of the filter.

Pre-Filter 0.8 ltr (Option)

In particle filter particles are filtererd out up to a size of 10 μm . The pre-filter is separating water before the air enters final filter housing wich is extending the lifetime of the filter cartridge.



Filterhousing 1.7ltr
with Pre-Filter 0.8ltr (Option)

A

Filter Cartridge Replacement

Filter cartridge change as follows:

- Open the condensate valve of the final filter housing until it's depressurized (Fig.1)
- Unscrew filter housing cover by using the special filter tool (Fig.2)
- Place the T-piece end of the filter tool in the recess of the filter cartridge (Fig.3)
- Unscrew the filter cartridge anti-clockwise and pull the cartridge out of the housing (Fig.4)
- Open the packing of the new filter cartridge and place it with the filter tool in the filter housing
- Screw the new filter cartridge hand tight in by using the filter tool
- Screw the cover of the filter housing first manually in
- After it has been completely screwed in, turn cover anticlockwise for 90°. This avoids tightening of the cover due to vibration

The filter cartridge change is now completed.



Fig. 1 - Drain tap



Fig. 2 - Unscrew the filter housing cover.



Fig. 3 - Place the T-piece end of the filter key in the top of the filter cartridge.



Fig. 4 - Pull the cartridge out of the housing.



Note

Ensure that the old filter cartridge is disposed correctly at an approved waste point.

Filter Housing - Maintenance



Note

Clean all parts thoroughly before assembly.

Filter housing maintenance as follows:

- Open Filter Cover (Fig.1)
- Change o-ring and back-up ring, previously grease both (Fig.2)
- Grease filter cover thread and close

Dismount filter housing

- Loose pipes and nuts (Fig.3)
- Remove filter housing
- Dismount filter housing base
- Change o-ring and back-up ring, previously grease both (Fig.4)
- Screw filter base tight in

Mount filter housing

- Connect pipe connections and tighten
- Adjust holding clamp and tighten nuts.

The filter housing maintenance is now completed.



Fig. 1 - Open Filter cover

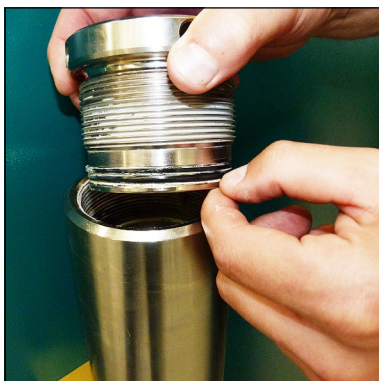


Fig. 2 - Change o-ring and back-up rings



Fig. 3 - Loose pipe connections and nuts



Fig. 4 - Change o-ring and back-up rings

Inlet Filters

**Note**

Dirty filters make intaking air difficult and reduce delivery capacity. Risk of compressor overheating.

A micro filter cartridge is used as an air inlet filter. Check air inlet filter regularly or replace if necessary. Defective air inlet filters should be immediately replaced.

Maintenance Intervals

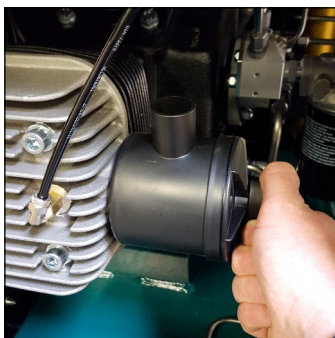
We recommend that the filter cartridge should be replaced every 1,000 working hours (depending on pollution grade).

Inlet Filter Cartridge Change

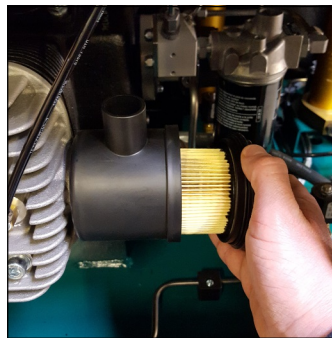
Inlet filter cartridge change as follows:

- Loose nut (Fig.1)
- Remove cover and replace filter cartridge by a new one (Fig.2)
- Assemble intake filter
- Tighten nut

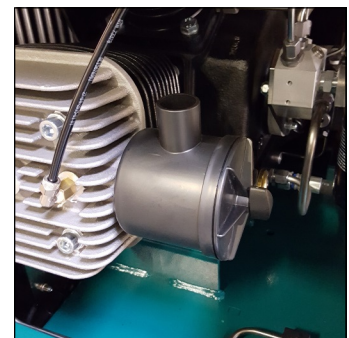
The inlet filter cartridge change is now completed.



(Fig.1) Loose nut



(Fig.2) Remove cover and replace filter cartridge



(Fig.3) Mount the intake filter

MAINTENANCE AND SERVICE

Cylinder Heads and Valves

In- / outlet valves of the specific compressor stages are located between valve head and cylinder. Outlet valves open while piston upstroke or compression stroke, inlet valves open while downstroke.

Valves are subject to normal wear and tear and have to be replaced at certain intervals (depending on specific operating conditions). Dismount valve heads to change valves. The three valves are combined inlet and outlet valves. The first and second stage valves are plate valves. The third and fourth stage contains a spring operated piston which acts inside a bronze cylinder.



Valve head 3rd stage

Maintenance Intervals

All valves should be replaced after 2,000 working hours due to normal wear and tear. To replace valves the cylinder heads have to be removed. There are no special tools required to replace these valves.

Available Special Tools

Special tools are not necessary for dismounting inlet and outlet valves but make work easier.

Order number: 006847



Special tool

Replace In- / Outlet Valves 1st and 2nd Stage



Note

The figures of the parts can differ due to the different stages.

Change in- / outlet valves 1st and 2nd stage as follows:

Remove in- / outlet valve

- Loose pipes
- Loose valve head screws (Fig. 1)
- Remove valve head
- Pull out inlet and outlet valve (Fig. 2). CAUTION: Observe that the lower copper valve ring is also pulled out. (It can still stick inside the cylinder)
- Check valve head if defective

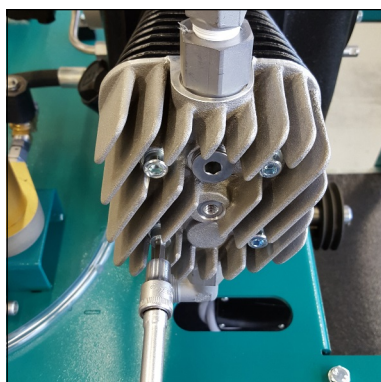


Fig. 1 - Loose valve head screws

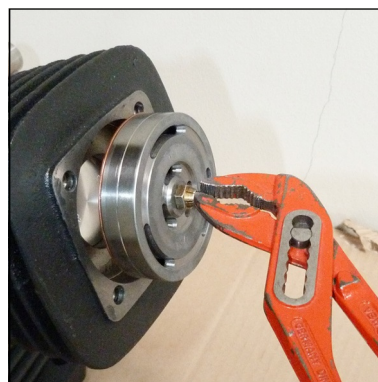


Fig. 2 - Pull out inlet and outlet valve

Install in- / outlet valve - see following page

Replace In- / Outlet Valves 1st and 2nd Stage - Continued from previous Page

A



Caution

The exact alignment of upper and lower valve gasket is very important. In- / outlet channels have to be exactly centred. Do not turn in- / outlet valve after insertion. The copper valve ring could cover outlet channels.

Install In- / Outlet Valve

- Grease the lower valve gasket slightly and place on the new in- / outlet valve.
CAUTION: Observe correct copper valve ring position (centre in- / outlet channels).
- Place the new in- / outlet valve straightly into the cylinder (Fig. 3).
CAUTION: Do not turn the in- / outlet valve inside the cylinder! The copper valve ring could cover outlet channels!
- Place the upper valve gasket on the in- / outlet valve.
CAUTION: Observe the correct paper gasket position (centre in- / outlet channels). (Fig. 4)
Note: Valve head screws can be inserted into the valve head to secure the upper valve gasket.
- Refit the valve head and tighten the valve head screws crosswise.

Starting torques:

1. nd Stage 45 Nm
2. nd Stage 25 Nm

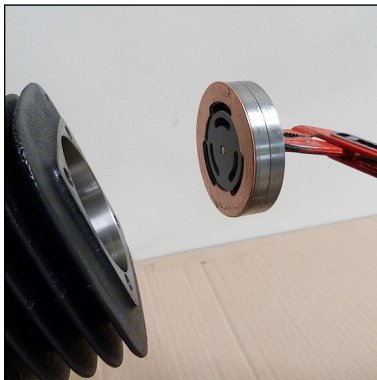


Fig. 3 - Place new inlet and outlet valve straightly into cylinder

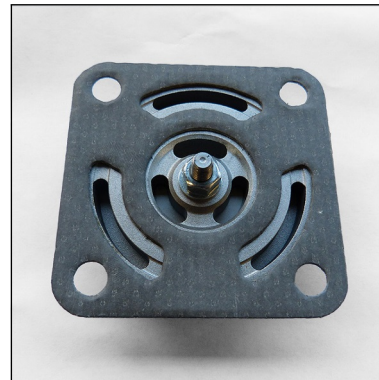


Fig. 4 - Ensure the correct mounting position of the paper gasket

The replacement inlet and outlet valves 1st and 2nd stage is now completed.

Replace In- / Outlet Valves 3rd and 4th Stage



Note

The figures of the parts can differ due to the different stages.

Replacement in- / outlet valves as follows:

- Loose pipes
- Loose valve head screws (Fig. 1)
- Remove lower valve gasket (Fig. 2)
- Dismount in- / outlet valve (Fig. 3). Observe that the upper valve gasket is also pulled out. (It can still stick inside the cylinder head)
- Check valve head if defective (check centre pin)
- Mount valve gasket on in- / outlet valve.
CAUTION: Ensure correct mounting position of the upper valve gasket (Fig. 4).
- Insert new in- / outlet valve into valve head.
CAUTION: Observe correct position between valve centre hole and valve head centre pin
- Place lower valve gasket
- Place valve head with the new in- / outlet valve. Tighten valve head screws crosswise (tightening torque 25 Nm)

Replacement inlet and outlet valves complete.



Fig. 1 - Loose valve head screws

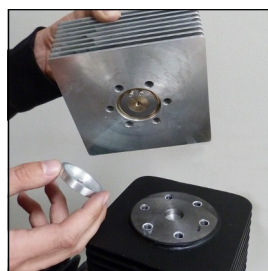


Fig. 2 - Remove lower valve gasket

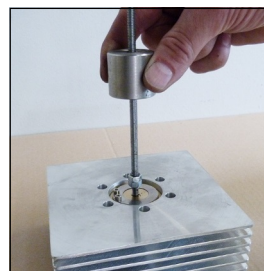


Fig. 3 - Remove in- / outlet valve

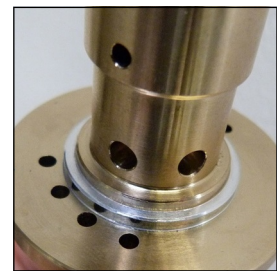


Fig. 4 - Ensure correct mounting position of the upper valve gasket

MAINTENANCE AND SERVICE

Replace Piston Rings and Needle Bearings of the 2nd, 3rd and 4th Stage

Replace piston rings and needle bearings of 2nd, 3rd and 4th stage as follows:

- Remove in- & outlet pipework
- Remove valve head bolts
- Remove valve head
- Remove lower valve gasket (see "replace in- / outlet valves 1st,2nd 3rd & 4th stage)
- Check condition of valve head
- Remove flange nuts of compression cylinder
- Take off compression cylinder and o-ring
- Turn crankshaft until piston is on TDC position
- Remove piston rings
- Fit piston rings in accordance to drawing and lubricate by using compressor oil.
- *Remove cylinder flange bolts (only necessary small end bearing needs to be replaced)*
- *Take-off guide cylinder*
- *Remove O-ring*
- *Clean sealing surfaces*
- *Remove circlips and piston pin, take-off piston*
- *Remove small end bearing by using L&W special tool (Part number: 005456)*
- *Fit new small end bearing by using special tool , lubricate bearing*
- *Lubricate piston pin bore*
- *Fit piston to conrod, secure piston pin by circlips*
- *Lubricate and fit O-ring to guide cylinder*
- *Refit guide cylinder*
- *Tighten flange bolts crosswise*
- Lubricate and fit O-ring to compression cylinder
- Lubricate piston skirt
- Compress piston rings by using L&W special tool and pipe wrench. Refit compression cylinder

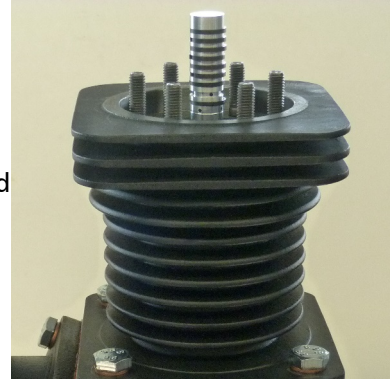


Fig. 1 - take off compression cylinder

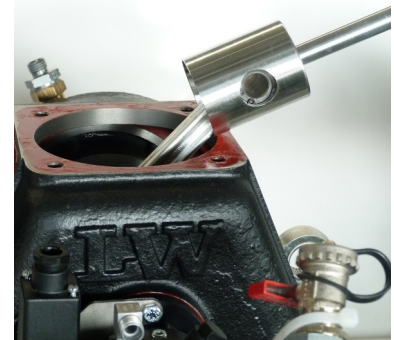


Fig. 2 - Piston 3rd Stage

MAINTENANCE AND SERVICE

Change Piston Rings and Needle Bearings of the 2nd, 3rd and 4th Stage - Continue

- Fit washers and nuts, tighten crosswise
- Remove valve head

See "In- / outlet valves 1st, 2nd and 3rd, 4th stage" for further instructions



Fig. 1 - Fit Circlip

L&W special tool

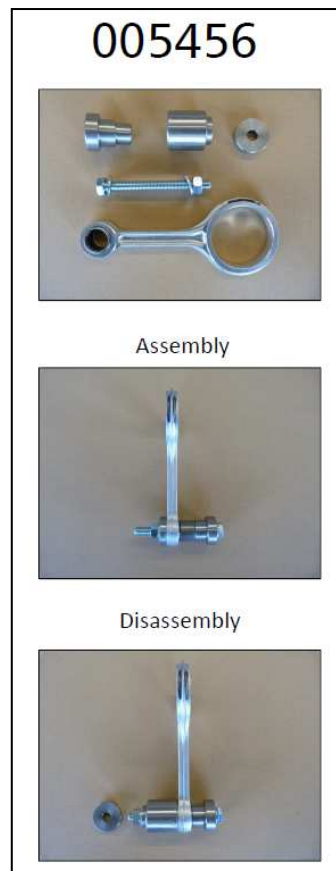


Fig. 2 - L&W special tool for needle bearing 005456

Safety Valves

Every pressure stage is equipped with a separate over pressure safety valve. Safety Valves avoid a non permissible high pressure at the specific pressure stages and limit maximum operation pressure of the compressor.

Safety valves are adjusted to:

- 1st Stage: 8 bar
- 2nd Stage: 22 bar
- 3rd Stage: 90 bar
- 4th Stage: max. final pressure

The adjusted blow-off pressure [bar] of the safety valves is indicated on their housings.

All safety valves are factory sealed with special L&W safety seals to avoid manipulation of the limit value settings.

Safety valves with removed seals have to be immediately checked for the prescribed settings and replaced if necessary.

The safety valve of the final stage is furthermore equipped with a knurled screw to be activated on-
ce.

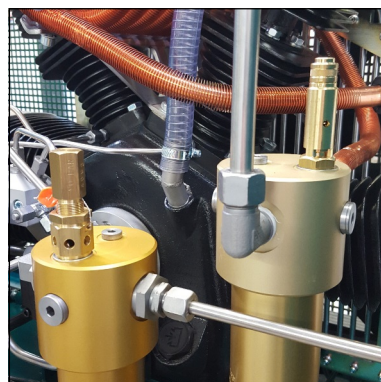
Turning the knurled screw clockwise could vent the valve completely and therefore the final filter housing.

During normal operation conditions, the knurled screw has to be turned anti-clockwise up to the upper stop. An integrated circlip avoids complete unscrewing.

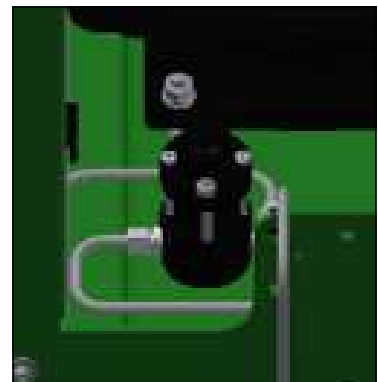
If a safety valve blows off, it indicates problems with either inlet or outlet valve of the following stage.



Safety valve 1st stage



Safety valve 2nd and 3rd stage



Safety valve 4th stage



Note

Replace defective safety valves immediately!

Pressure Maintaining / Non Return Valve

**Note**

If the adjusted opening pressure of the pressure maintaining valve is higher than the final pressure of the compressor, the final pressure safety valve blows off before pressure maintaining valve opens (final pressure = 0 bar). When valve settings are not clear (e.g. after disassembly / repair), start the adjustment with a low basic setting (turn adjusting screw approx. 3 times in).

A pressure maintaining / non return valve is installed after the filter housing. It maintains a pressure of at least 150-180 bar inside the filter housing - this optimises filter efficiency.

Pressure Maintaining Valve

The pressure maintaining valve drains a large part of the water content of the compressed air mechanically by ensuring the minimum outlet pressure. This guarantees optimal drying and purification of the breathing air.

After starting the compressor, the pressure inside the final filter housing constantly increases. The pressure maintaining valve prevents the compressed air from blowing off (final pressure gauge = 0 bar).

When the adjusted opening pressure is reached (150 and 180 bar), the purified compressed air flows via pressure maintaining and non return valve to the filling valve.

The value of the opening pressure of the pressure maintaining valve can be read at the final pressure gauge. When opening pressure is reached, the pressure gauge value increases within a few seconds.



Pressure maintaining/non-return valve

MAINTENANCE AND SERVICE

Safety Valve Test



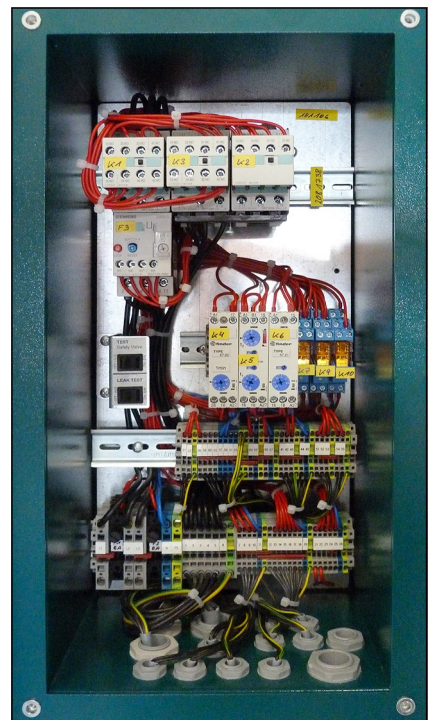
Note

Do not fill any tank during test phase!

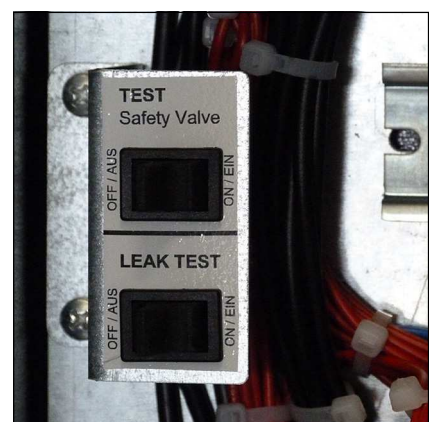
Safety valve test as follows:

- Disconnect compressor from the electrical power supply and protect against unexpected restart
- Open the cover of the switch box
- Switch on the "Test Safety Valve" switch (pressure switch will be deactivated!)
- Close the cover of the switch box
- Connect the compressor to the electrical power supply
- Close filling valves
- Start the compressor
- Watch the final pressure gauge. The safety valve should open when reaching working pressure of the compressor. If not, switch off the unit and take out of service until the safety valve has been replaced
- Switch off the compressor (Compressor vented)
- Disconnect the compressor from the electrical power supply and protect against unexpected restart
- Open the cover of the switch box
- Switch off the "Test Safety Valve" switch (pressure switch will be activated!)
- Close the cover of the switch box
- Connect the compressor to the electrical power supply

The safety valve test is now completed.



Switch box



Safety valve test switch (up)

MAINTENANCE AND SERVICE

Leak Test (Option)



Note

Do not fill any tank during test phase!

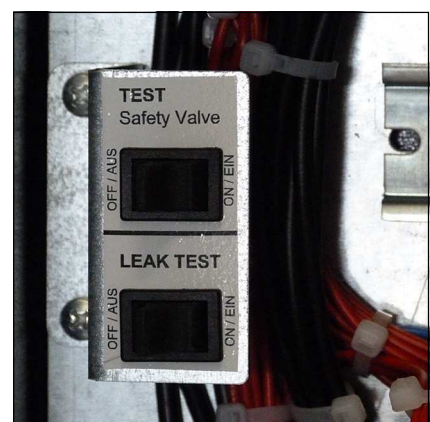
Leak test as follows:

- Disconnect the compressor from the electrical power supply and protect against unexpected restart
- Open the cover of the switch box
- Switch on the leak test switch (solenoid valves will be deactivated!)
- Close the cover of the switch box
- Connect the compressor to the electrical power supply
- Close filling valves
- Start the compressor
- Switch off the compressor at a pressure of approx. 150 bar
- Verify the compressor for release noises. (A slight hiss of the air inlet filter nozzle can be ignored). If release noises occur, localise blow off position(s)
- Switch off the compressor
- Disconnect the compressor from the electrical power supply and protect against unexpected restart
- Open the cover of the switch box
- Switch off the leak test switch (solenoids will be activated!)
- Close the cover of the switch box
- Connect the compressor to the electrical power supply (Compressor vented)

The leak test is now completed.



Switch box



Leak test switch (down)

Pressure Vessel Test

According to the Pressure Equipment Directive (PED 97/23/EC) and TÜV Darmstadt (German supervising authorities). State: 10th of December, 2005

Subject: pressure equipment with a product permissible operating pressure [bar] x content volume [litres] from 200 up to 1000.

Example: Filter housing 1.7 l

Maximum operating pressure: 350 bar

Content volume: 1.7 litres

$350 \text{ bar} \times 1.7 \text{ litres} = 595$

595 is smaller than 1000 -> result: Test is applicable!!

Example: Filter housing 2.3 l

Maximum operating pressure: 350 bar

Content volume: 2.3 litres

$350 \text{ bar} \times 2.3 \text{ litres} = 805$

805 is smaller than 1000 -> result: Test is applicable!!

Pressure equipment from 200 up to 1000 have to be tested as follows:

- **Every 2 years by a qualified person or authorized organisations:**
Visual inspection, outside.
- **Every 5 years by a qualified person or authorized organisations:**
Visual inspection, inside and outside.
- **Every 10 years by a qualified person or authorized organisations:**
Visual inspection, inside and outside.

In addition, a water pressure test is carried out at 1.5 times of the permissible vessel operating pressure.



A

MAINTENANCE RECORDS

STORAGE

Conservation / Storage of the Compressor

If the compressor unit is not to be used for an extended period of time, we recommend to carry out the following work before storage time:

- Run the compressor at 200 bar filling pressure for approximately ten minutes (control the flow with the filling valve to maintain constant pressure).
- Replace compressor oil, open filling valve(s) and run compressor for a few minutes.
- Stop compressor and open drain valves (depending on the compressor type, this may happens automatically). Remove top cap of final filter housing: clean throat, grease o-ring. and throat with a food grade grease or silicone grease. Close filter housing.
- Remove intake filter cartridge and undo intake pipes on all valve heads.
- Start compressor unit. Spray a few drops of compressor oil into intake connectors.
- Stop compressor unit and insert intake filter cartridge. Bring intake pipes back in position and fix connections and nuts. Close filling- and drain valves.
- Store the compressor in a cool dry place free from dust and contamination. A dust cover is recommended as long as condensation can be avoided.
- If compressor unit should be stored for a period of more than one year, an oil change is strongly recommended before it's been re-used.
- Fuel driven units only: fill up fuel tank to top level to avoid corrosion.

De-Conservation, Commissioning

After the compressor has been stored, the following steps are to be taken:

- If compressor hasn't been used for longer than 12 months, we strongly recommend an oil change before any use.
- Replace intake filter cartridge and check oil level.
- Clean compressor unit, check for foreign objects. Check condition and tension of V-belts, replace if necessary. Check condition of filling hoses, replace if necessary.
- Secure hoses against whipping and open filling valves and run compressor for approximately 10 minutes.
- Check condition of final filter cartridge, replace if necessary.
- Close filling valves and run compressor up to final pressure.
- Check safety valve relief pressure of final stage and/or pressure switch setting.
- Check all connections and pipe work for leaks.

Once all above steps are completed, compressor unit is now ready for use.

STORAGE

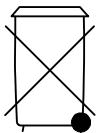
Transportation Instructions

- Parts which need to be dismantled for transport purposes must be carefully replaced and secured before taking into operation.
- The transport may only be carried out by trained personnel.
- For transportation, only use lifting devices and equipment with sufficient lifting power.
- Do not stand or work under suspended loads.
- Also separate from minor relocation machinery / system of any external energy supply. Before recommissioning, reconnect the machine to the mains according to regulations.
- When recommissioning, proceed according to the operating instructions..

Disposal

The product must be disposed in accordance with national waste disposal regulations and by an appropriate waste disposal company.

Electric and Electronic Components



EU-wide regulations for the disposal of electric and electronic appliances which have been defined in the EU Directive 2002/96/EC and in national laws are effective from August 2005 and apply to this device.

Common household appliances can be disposed by using special collecting and recycling facilities. However, as this device has not been registered for household usage, it must not be disposed of through these means.

The device can be returned to L&W. Please do not hesitate to contact us if you have any further questions on this issue.

Operating Instructions

ECC - Electronic compressor control





TABLE OF CONTENTS

General Information

General Information	3
Description of Warning Symbols	3

Description

Specifications / Options	4
Switchboard	5

Operation and Function

Main Menu	6
Selection Menu (M100)	7
Display Menu (M200)	8
Inter-Stage Pressure Display.....	8
Display II (M270)	9
Settings Menu (M300).....	10
Set Stop Pressure - automatic mode (M320).....	11
Set Restart Pressure - automatic mode (M330).....	11
Set Stop Pressure - semi-automatic mode (M340)	11
Test Menu (M400)	12
Test Solenoids (M420)	12
Test safety valve (M430)	13
Test stop without venting (M440)	13
Statistics Menu (M500).....	14
Maintenance Menu (M600)	15
Confirm Maintenance (M680).....	16
Operation Mode (M700).....	17
Language Menu (M750)	17
Adjusting Display Backlight.....	18
Software Update	18
Spare part lists.....	19
Manufacturer in terms of 97/23/EC.....	20

B



GENERAL INFORMATION

General Information

We strongly recommend reading this manual thoroughly prior to operation and follow all the safety precautions precisely. Damage resulting from any deviation from these instructions is excluded from warranty and liability for this product. Carry out other commissioning steps only if you have fully understood the following contents.

Before commissioning and using the unit, carry out all the essential preliminary work and measures concerning legal regulations and safety. These are described on the following pages of this operation manual.

B

Description of marks and warning signs

The following warning signs are used in this document to identify the corresponding warning notes which require particular attention by the user. The warning signs are defined as follows:



Caution

Indicates an imminently hazardous situation which, if not avoided, could result in serious injury, physical injury or death.



Warning

Indicates a potentially hazardous situation which, if not avoided, could result in physical injury or damage to the product or environment.



Note

Indicates additional information on how to use the unit.



DESCRIPTION

Specifications and Options

All L&W compressors can be optionally equipped with the all-electrical computer supported control system "ECC". It is easy to operate and allows multiple and individual settings.

Specifications

- LCD-Display with key pad
- Automatic & semi-automatic operation mode
- Automatic dump system
- Integrated counter for operation hours
- Integrated counter for load cycles
- Maintenance intervals automatically displayed
- Required service part numbers automatically displayed
- Fully adjustable pressure ranges for start and stop
- Warning messages ("Housing Open" / "Emergency Switch")
- Check of end-pressure safety valve possible
- Auto switch-off when system is not running
- Extendable by additional modules (e.g. external filling panel)
- Easy to operate menu
- Door position switch (housing open message)
- Load-free or depressurised start cycles

Options

- Oil pressure control
- Oil temperature control
- Cylinder head temperature control
- Inter stage pressure monitoring
- PIN controlled access
- Master / slave option (if more than one ECC equipped compressors are combined)

DESCRIPTION

Switchboard



No.	Description
1	LCD Display
2	Key Pad
3	LED Display (Compressor OFF)
4	LED Display (Power)
5	LED Display (Compressor ON)



OPERATION AND FUNCTION

Main Menu

Immediately after the compressor has been connected to power, the ECC-display shows the following Main Menu::

Charging	0 min	Present filling time in minutes
Total	0,0 h	Total operation hours
Start : 1	Stop : 0	Key 1 to start compressor / Key 0 to stop compressor
Help: *	OFF	* Key leads to submenus Current operation state = Off
Final Press	0 bar	Present filling pressure

B

The following keys can now be used:

Key	Function / Description
1	Start - Starts the compressor
0	Stop - Stops the compressor
*	Leads to the submenus

After typing the * key the following Selection Menu appears.



OPERATION AND FUNCTION

Selection Menu (M100)

After typing the * key in the Main Menu the following Selection Menu appears.

Selection:		
2	Display	Key 2 leads to submenu "Display"
3	Settings	Key 3 leads to submenu "Settings"
4	Test	Key 4 leads to submenu "Test"
5	Statistics	Key 5 leads to submenu "Statistics"
6	Maintenance	Key 6 leads to submenu "Maintenance"
7	Operation Mode	Key 7 leads to submenu "Operation mode"
(M100)	Return : #	Key # leads back to "Main Menu"

(M100) tells that you are currently on menu page 100.



Note

At any time, the unit can be started with key 1 or shut down with key 0.
Caution: Risk of accident during maintenance work!

B

OPERATION AND FUNCTION

Display Menu (M200)

Pushing key 2 in the Selection Menu leads to Submenu "Display".

Display I:	
2	Press. Stage 1
3	Press. Stage 2
4	Press. Stage 3
5	Cyl. Head Temp.
6	Oil Temp.
7	Display II
(M200)	Return : #

Key 2 shows current pressure of the 1st stage*

Key 3 shows current pressure of the 2nd stage

Key 4 shows current pressure of the 3rd stage

Key 5 shows temperature of the final stage cylinder head

Key 6 shows the oil temperature

Key 7 shows Display II

Key # leads back to "Main Menu"

(M200) tells that you are currently on menu page 200.

By pushing key 2 (inter-stage pressure 1) the following Display appears.

Inter-Stage Pressure Display

Pushing key 2 in the Display Menu leads to the Inter-Stage Pressure 1 Display Menu.

Charging	0 min
Total	0,0 h
Start: 1	Stop: 0
Help:*	OFF
Press.	0 bar
1 st Stage	0,0 bar

Use keys 3 to 6 in the Menu "Display I" to change between the displayed values.



Note

Pushing key 8 in the display menu "Display II" leads to the option "Pressure200/300" for compressors with 2 filling pressures. Displayed in field 3 of the display menu "Display I".



OPERATION AND FUNCTION

Display II (M270)

Pushing key 7 in the Selection Menu leads to Menu "Display II".

Display II:

Press.	Temp.
4: 0	C: 0
5: 0	D: 0
6: 0	E: 0
7: 0	F: 0
bar	°C
(M270)	Return : #

This display shows further customer specific pressure and temperature values.

Key # leads back to "Main Menu"

B

OPERATION AND FUNCTION

Settings Menu (M300)

Pushing key 3 in the Selection Menu leads to the Settings Menu.

Settings:		
Automatic		
2	Stop pressure	Key 2 leads to submenu „Set Stop Pressure“
3	Restart Press.	Key 3 leads to submenu „Set Restart Pressure“
Semi-Automatic		
4	Stop Pressure	Key 4 leads to submenu „Set Stop Pressure“
9	Close	Key 9 leads back to submenu "Selection"
(M300)	Return : #	Key # leads back to "Main Menu"

Use menu M700 to change between "Automatic" and "Semi-Automatic" mode.

Restart pressure can only be set in "Automatic Mode".

Prior to setting the pressure, start the safety valve test.



Attention during maintenance

During automatic mode, the compressor can automatically start by itself at any time, depending on the selected restart pressure (see "Set Restart Pressure" M330).



OPERATION AND FUNCTION

Set Stop Pressure - automatic mode (M320)

Only valid in automatic mode, see menu M700.

Set
Stop Pressure:
Actual: 330 bar
7 New Value:
>> XXX bar
4 (050,, 333)
8 Confirm
(M320) Return : #

Current restart pressure
Key 7 if restart pressure should be changed
XXX indicates modified stop pressure
Chooseable pressure range for restart pressure
Key 8 confirms new restart pressure
Key # leads back to "Main Menu"

B

Set Restart Pressure - automatic mode (M330)

Only valid in automatic mode, see menu M700.

Set
Restart Pressure:
Actual: 180 bar
7 New Value:
>> XXX bar
4 (030,, 310)
8 Confirm
(M330) Return : #

Current restart pressure
Key 7 if restart pressure should be changed
XXX indicates modified restart pressure
Chooseable pressure range for restart pressure
Key 8 confirms new restart pressure
Key # leads back to "Main Menu"

Set Stop Pressure - semi-automatic mode (M340)

Only valid in semi-automatic mode, see menu M700.

Set
Stop Pressure:
Actual: 180 bar
7 New Value:
>> XXX bar
4 (030,, 310)
8 Confirm
(M340) Return : #

Current stop pressure
Key 7 if stop pressure should be changed
XXX indicates modified stop pressure
Chooseable pressure range for stop pressure
Key 8 confirms new restart pressure
Key # leads back to "Main Menu"

OPERATION AND FUNCTION

Test Menu (M400)

Pushing key 4 in the Selection Menu leads to the Test Menu.

Test:	
2	Solenoids
3	Safety Valve
4	Test-Stop
9	Close
(M400)	Return : #

Key 2 leads to submenu "Test Solenoids"

Key 3 leads to submenu "Test Safety Valve"

Key 4 leads to submenu "Test Stop without Venting"

Key 9 leads back to submenu "Selection"

Key # leads back to "Main Menu"

B

Test Solenoids (M420)

Pushing key 2 in the Selection Menu leads to Submenu "Test Solenoids".

Test Solenoids	
3	open
7	close
9	Close
(M420)	Return : #

Key 3 opens solenoids

Key 7 closes solenoids

Key 9 leads back to submenu „Test“

Key # leads back to "Main Menu"



Note

This menu can not be left unless solenoids have been closed by key 7.

OPERATION AND FUNCTION

Test safety valve (M430)

Pushing key 3 in the Test Menu leads to Submenu "Test Safety Valve".



Note

Prior to starting the Test, close all filling connections (also connected filling panels if necessary). During this test, the compressor passes the selected stop pressure (see Menu M320) to test the correct function of the final pressure safety valve. This would limit the maximum operating over pressure of the unit in case of malfunction.

B

Test

Safety Valve

Close Filling Valves!

5 Start	0 Stop
9 Close	
(M430) Return : #	

Key 5 to start test Key 0 to stop test

Key 9 leads back to submenu „Test“

Key # leads back to "Main Menu"

Test stop without venting (M440)

Pushing key 4 in the Test Menu leads to Menu "Test Stop without Venting".



Note

This test is only operable when the compressor has been started with key 1. This test mainly checks the leak tightness of pressure vessels, pressurised pipes, safety valves and the compressor block.

Test

stop without venting:

5 Stop	
6 Vent	
Pressure	0
	bar
9 Close	
(M440) Return : #	

Key 5 stops compressor during test run

Key 6 vents compressor after leak search has been finished

Shows current filling pressure

Key 9 leads back to submenu „Test“

Key # leads back to "Main Menu"



OPERATION AND FUNCTION

Statistics Menu (M500)

Pushing key 5 in the Selection Menu leads to Submenu "Statistics".

Statistics	
Operation Hours:	0,0 h
Start cycles:	00
Max Press	000 bar
9 Close	
(M500) Return : #	

Total operation hours of compressor unit

Total number of compressor starts

Maximum working pressure of unit (set by safety valve test)

Key 9 leads back to submenu „Selection“

Key # leads back to "Main Menu"

Push key 5 to get information on which ECC software version is currently installed on your system (M505), i.e.: By pushing key 2, the total load cycles of the filter housing are being indicated.

B

OPERATION AND FUNCTION

Maintenance Menu (M600)

Pushing key 6 in the Selection Menu leads to the "Maintenance Menu".

Hours remaining		
Oil change	14 h	Shows remaining hours of listed components (i.e. next oil change in 14 hours,...)
Sinter filt	989 h	
Silencer	4989 h	
Valves	5989 h	
Oil filter	1000 h	
8 Change done		Key 8 leads to submenu "Receipt Maintenance"
9 Close		Key 9 leads back to submenu „Selection“
(M600) Return : #		Key # leads back to "Main Menu"

Remaining hours depend on the type. At the end of any remaining hours, the display indicates a warning message. Furthermore, the display informs about any possibly necessary spare parts with the corresponding L&W service part number.



Attention during maintenance

During automatic mode, the compressor can automatically start by itself at any time, depending on the selected restart pressure (see "Set Restart Pressure" M330).



OPERATION AND FUNCTION

Confirm Maintenance (M680)

Confirm Maintenance	
2	Oil change
3	Sinter filters
4	Silencer
5	Valves
6	Oil filter
(M680)	Return : #

Key 2 receipts oil change
Key 3 receipts change of sinter filters
Key 4 receipts change of silencer
Key 5 receipts change of valves
Key 6 receipts oil filter
Key # leads back to "Main Menu"

B

Display confirms any reset of "Hours remaining" with the following message:

Confirm Maintenance	
Operation Hours Meter Set	
9	Close
(M680)	Return : #

Key 9 leads back to submenu "Hours remaining"
Key # leads back to "Main Menu"

OPERATION AND FUNCTION

Operation Mode (M700)

Pushing key 7 in the Selection Menu leads to the menu "Operation Mode".

Activated modes are always displayed in bolt letters (above example: **Semi-Automatic**).

Further settings can be made in the Settings Menu (M300).

B

Betriebsart:	
2	Automatic
3	Semi-Automatic
4	bar /mpa
5	Sprache
9	Close
(M700)	Return : #

Key 2 activates automatic mode

Key 3 activates semi-automatic mode

Key 4 selects between bar and MPa (optional)

Key 5 leads to the "Language Menu"

Key 9 leads back to submenu „Selection“

Key # leads back to "Main Menu"

Language Menu (M750)

Language Menu	
2	German
3	English
4	French
5	Spanish
6	Dutch
7	Language II
(M750)	Return : #

Key 7 optional language (e.g. Chinese)

Key # leads back to "Main Menu"

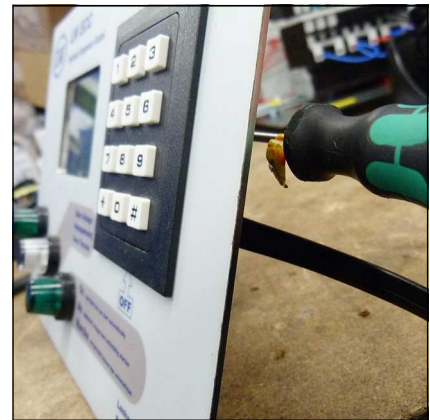
OPERATION AND FUNCTION

Adjusting Display Backlight

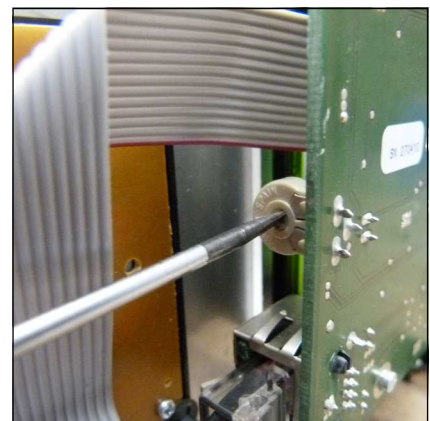
The brightness of the display can be adjusted with an adjusting screw on the back of the control.

Software Update

Software updates can only be carried out by L&W. To carry out an update, the device has to be send to the L&W service.



Adjust brightness



Adjust brightness

SPARE PART LISTS

Best.-Nr. / Order No.	Benennung	Description
002141	1. Stufe Druckaufnehmer 0-10 bar	1st stage pressure sensor 0-10 bar
002142	2. Stufe Druckaufnehmer 0-60 bar	2nd stage pressure sensor 0-60 bar
003888	3. Stufe Druckaufnehmer 0-100 bar	3rd stage pressure sensor 0-100 bar
002143	Endstufe Druckaufnehmer 0-400 bar	Final stage pressure sensor 0-400 bar
006890	Druckaufnehmer 420 bar Version 0-600 bar	Pressure sensor 420 bar version 0-600 bar
004840	Öldruckaufnehmer 0-6 bar	Oil pressure sensor 0-6 bar
006912	Öltemperatursensor	Oil temperature sensor
003501	Zylinderkopf - Temperatursensor	Cylinderhead temperature sensor

B



002141 / 002142 / 002143 / 003888 / 004840
Druckaufnehmer / Pressure sensor



006890 - Druckaufnehmer 420 bar /
Pressure sensor 420 bar



006912 - Öltemperatursensor
Oil temperature sensor



003501 - Zylinderkopf - Temperatursensor
Cylinderhead temperature sensor



LENHARDT & WAGNER GMBH

B

Manufacturer in terms of 97/23/EC

The full name and address of the manufacturer is:

Lenhardt & Wagner GmbH

An der Tuchbleiche 39
68623 Hüttenfeld / Germany

Phone: +49 (0) 62 56 - 85 88 0 - 0

Fax: +49 (0) 62 56 - 85 88 0 - 14

E-Mail: service@lw-compressors.com

Internet: www.lw-compressors.com





**ERSATZTEILLISTEN / SPARE PARTS LISTS
DETAILANSICHTEN / DETAILED VIEWS**

C



Inhaltsverzeichnis - Table of Contents

Gehäuse - Housing	1
Bedienpaneel - Dashboard	3
Rohrleitungssystem - Pipework.....	5
Kompressorblock - Compressor Block	7
Kurbelwelle - Crankshaft.....	11
Kolben 1. Stufe - Piston 1st Stage	13
Kolben 2. Stufe - Piston 2nd Stage.....	15
Kolben 3. Stufe - Piston 3rd Stage	17
Kolben 4. Stufe - Piston 4th Stage	19
Ventil 1. & 2. Stufe - Valve 1st & 2nd Stage	21
Ventil 3. Stufe - Valve 3rd Stage	23
Ventil 4. Stufe - Valve 4th Stage	25
Kühler 1. Stufe - Cooler 1st Stage	27
Kühler 2. Stufe - Cooler 2nd Stage.....	29
Kühler 3.&4. Stufe - Cooler 3rd&4th Stage	31
Ölpumpe - Oil Pump.....	33
Ölablassschlauch - Oil Drainage Tube	35
Ansaugfilter - Air Intake Filter	37
Lüfterrad - Cooling Fan	39
Öl- Wasserabscheider 1. Stufe - Oil- Water Separator 1st Stage	41
Öl- Wasserabscheider 2. Stufe - Oil- Water Separator 2nd Stage.....	43
Öl- Wasserabscheider 3. Stufe - Oil- Water Separator 3rd Stage.....	45
Filtergehäuse 1,7 l - Filter Housing 1.7 ltr	47
Sicherheitsventil - Safety Valve	49
Druckhalte- Rückschlagventil - Pressure Maintaining- Non-Return Valve	51



Inhaltsverzeichnis - Table of Contents

Motor - Engine	53
----------------------	----



ERSATZTEILLISTE / SPARE PART LIST

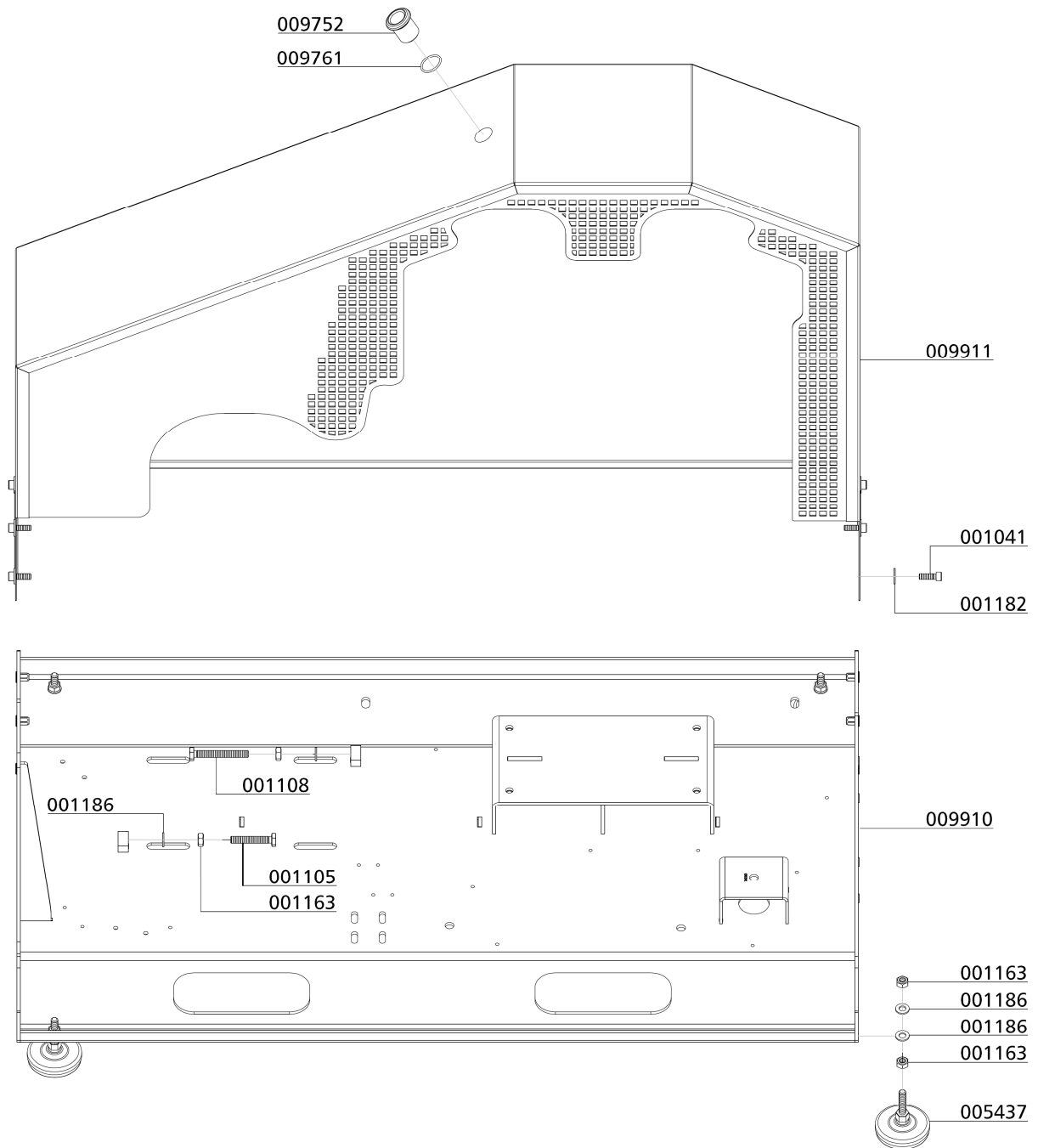
Baugruppe: Gehäuse / Assembly: Housing

Best.-Nr. / Order No.	Benennung	Description
001041	Zylinderschraube	Allen Screw
001105	6-kant Schraube	Hexagon Bolt
001108	6-kant Schraube	Hexagon Bolt
001163	Mutter	Nut M10
001182	U-Scheibe A8	Washer A8
001186	U-Scheibe A10	Washer A10
005437	Standfuß, Höhenverstell. mit Gummieinl.	Foot, Height adjustable Ø80 mm
009752	Steckhalter Kreuzventil	Holder Filling Valve cross
009761	O-Ring	O-Ring
009910	Grundkonsole	Frame
009911	Ventilatorschutz	Protective Cover, Fan

C

DETAILANSICHT / DETAILED VIEW

Baugruppe: Gehäuse / Assembly: Housing



C



ERSATZTEILLISTE / SPARE PART LIST

Baugruppe: Bedienpaneel / Assembly: Dashboard

Best.-Nr. / Order No.	Benennung	Description
001841	Ein / Aus Schalter	On / Off Switch
002089	Betriebsstundenzähler 230 Volt	Hour counter 230 V
003121	Not-Aus Schalter komplett	Emergency switch compl.
004701	Leuchtmelder, flach, rot	Indicator light, red
006325	Typenschild Filtergehäuse Partikelfilter	TypeSign - particle filter
006859	Klemmrahmen (Schildträger)	Label holder
007981	Aufkleber NOT-AUS, rund	Emergency-Off Sticker
009763	Einlegeschild "Start / Stop"	Label Start / Stop
009765	Schildträger, ohne Schild	Legend plate mount

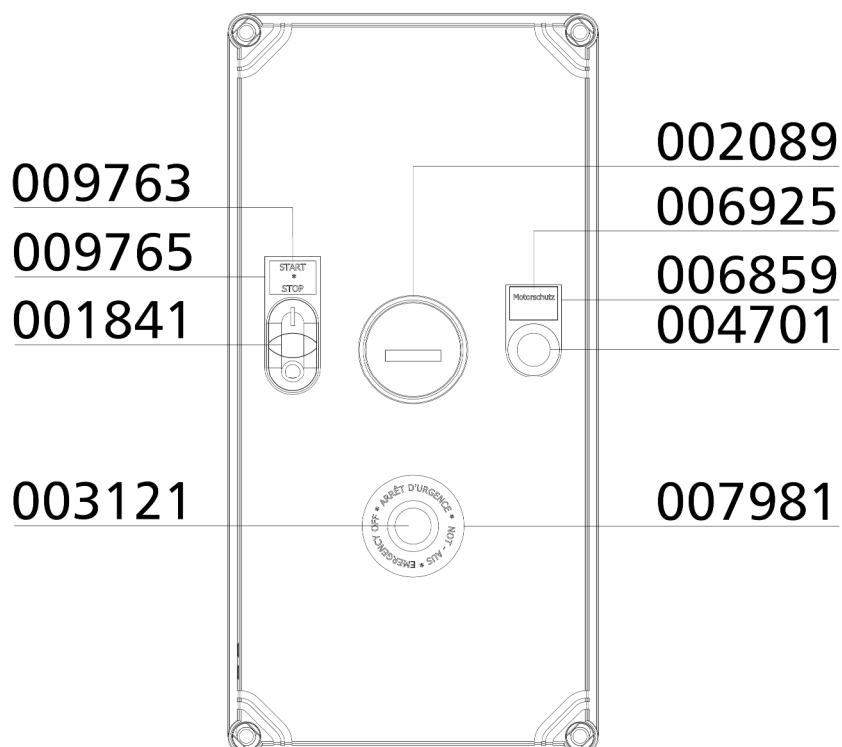
C

DETAILANSICHT / DETAILED VIEW

Baugruppe: Bedienpaneel / Assembly: Dashboard



C



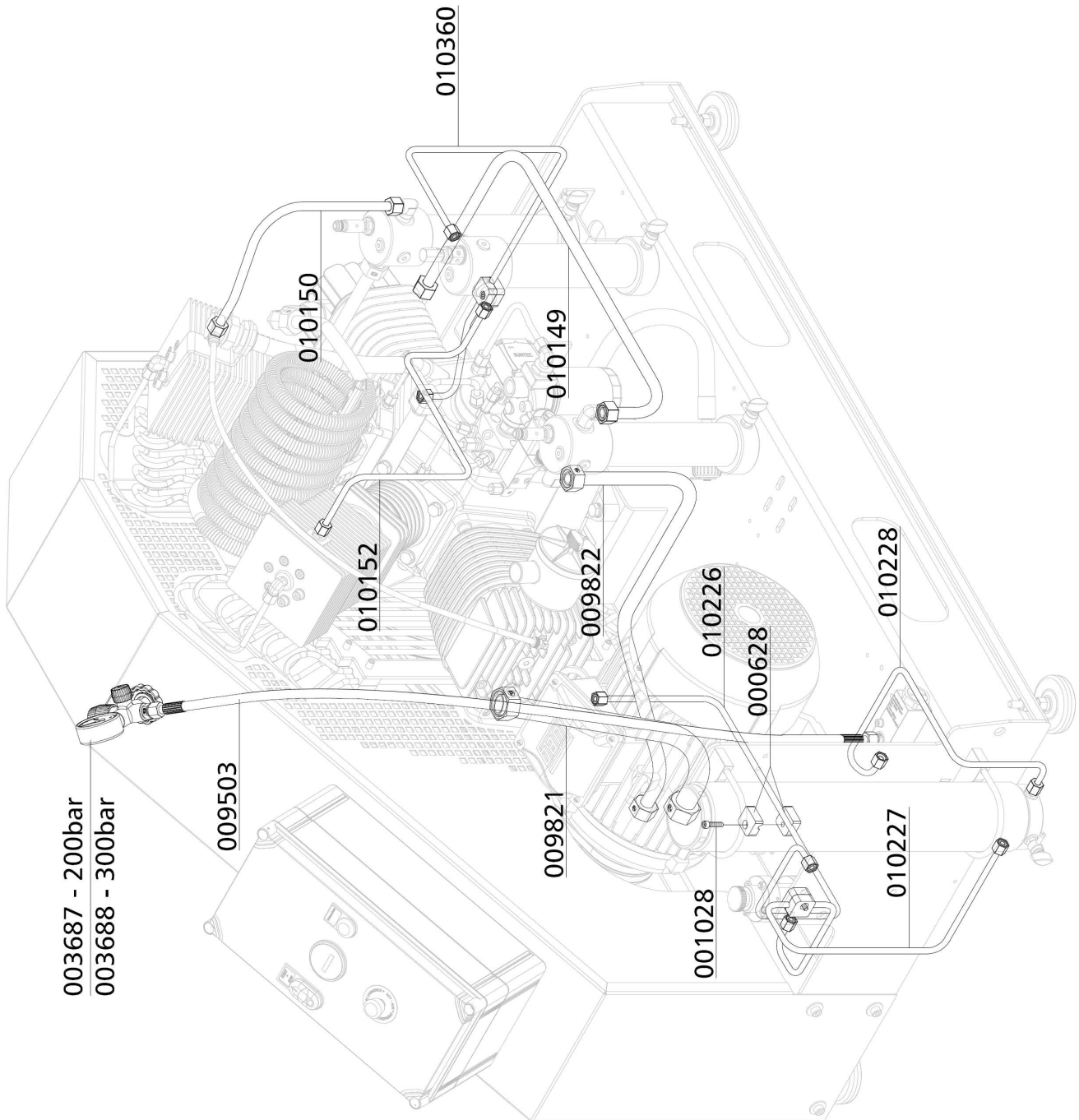
Rohrleitungssystem / Pipework

Best.-Nr. / Order No.	Benennung	Description
000628	Einfachschelle 1 x 8mm 1 Paar	Pipe Clamp 1x8mm 1pair PVC
001028	Zylinderschraube	Allen Bolt
003687	Füllventil Kreuzbauweise, mit Manometer ,200 bar	Filling Valve cross(c/w gauge), 200 bar
003688	Füllventil Kreuzbauweise, mit Manometer, 300 bar	Filling Valve cross(c/w gauge), 300 bar
009503	Hochdruckschlauch, drehbar, 1500mm	HP-Hose, rotatable ,1500 mm
009821	Rohr Ø28mm inkl. Muttern u.	Pipe Ø28mm incl. Nut u. Olive
009822	Rohr Ø18mm inkl. Muttern u. Schneidringe	Pipe Ø18mm incl. Nut u. Olive
010149	Rohrleitung Ø15mm, komplett mit M.&S.	Pipe Ø15mm
010150	Rohrleitung Ø12mm, komplett mit M.&S.	Pipe Ø12mm
010152	Rohrleitung Ø8mm, komplett mit M.&S.	Pipe Ø8mm
010226	Rohrleitung Ø8mm, komplett mit M.&S.	Pipe Ø8mm
010227	Rohrleitung Ø8mm, komplett mit M.&S.	Pipe Ø8mm
010228	Rohrleitung Ø8mm, komplett mit M.&S.	Pipe Ø8mm
010360	Rohrleitung Ø8mm, komplett mit M.&S.	Pipe Ø8mm

C

DETAILANSICHT / DETAILED VIEW

Rohrleitungssystem / Pipework





ERSATZTEILLISTE / SPARE PART LIST

Baugruppe: Kompressorblock / Assembly: Compressor Block

Best.-Nr. / Order No.	Benennung	Description
000209	Öleinfüllstopfen	Oil Filler Plug
000254	Ventildichtung obere für Ventil 2. Stufe	Upper Valve Gasket, Paper, 2nd
000270	Ventilkopf für Ventil, 2. Stufe	Valve Head for Valve 2nd Stage
000343	Zylinder 3. Stufe	Cylinder 3rd Stage LW 570
000344	Führungszylinder mit 6x Gewindestift	Guide Cylinder c/w 6x setscrew
000346	Zylinder 4. Stufe	Cylinder 4th Stage
000349	Obere Ventildichtung	Upper Valve Gasket
000350	Untere Ventildichtung für Ventil 1.Stufe	Lower Valve Gasket, 1st Stage
000351	Zylinder 1. Stufe	Cylinder 1st Stage
000409	O-Ring Zylinderflansch 1. Stufe	O-Ring - 1st Stage
000414	Distanzhülse Kühlerhalter	Spacer Cooling Bracket s/s
000498	U-Scheibe A6	Washer A6
000628	Einfachschele 1 x 8mm 1 Paar	Pipe Clamp 1x8mm 1pair PVC
000710	Verschraubung	Connection w/o nut& olive seal
000738	Gerade Verschraubung	Straight Connection
000761	Winkelverschraubung	Elbow Connection
000817	Verschraubung	Connection
000820	Verschraubung	Elbow-Connection
000837	Verschlussstopfen	Plug
000838	Verschlussstopfen	Plug
000839	Verschlussstopfen	Plug
000866	Verschraubung	Connection
000867	Winkelverschraubung	Elbow Connect. with fixed nut
000919	Reduzierung	Reducer
000952	6-kant Schraube	Hexagon Bolt
000961	Stiftschraube	Threaded Stud
001027	Zylinderschraube	Allen Bolt
001029	Zylinderschraube	Allen Bolt
001041	Zylinderschraube	Allen Screw
001047	Zylinderschraube	Allen Bolt

C



ERSATZTEILLISTE / SPARE PART LIST

Baugruppe: Kompressorblock / Assembly: Compressor Block

Best.-Nr. / Order No.	Benennung	Description
001056	Zylinderschraube	Allen Bolt
001058	Zylinderschraube	Allen Bolt
001060	Zylinderschraube	Allen Bolt
001092	Zylinderschraube	Hexagon Bolt
001100	6-kant Schraube	Hexagon Screw
001101	6-kant Schraube	Hexagon Screw
001156	Stopfmutter	Lock Nut M6
001158	Mutter	Nut M8
001178	U-Scheibe A6	Washer A6
001181	U-Scheibe A8	Washer A8
001186	U-Scheibe A10	Washer A10
001274	O-Ring	O-Ring
001323	CU-Ring	Copper Seal Ring
001449	Verschraubung,	Connection, straight
001635	Dichtring für Öleinfüllstopfen G1"	Rubber Gasket Oil Filler Plug
001766	O-Ring, Lagerdeckel	O-Ring Bearing Cover
002153	Ölablassschlauch inkl. Kugelhahn	Oil drain hose c/w ball valve
002362	Winkeleinschraubverschraubung 6 mm	Elbow Hose Connection 6 mm
002367	Ventilkopf	Valve Head
002932	Distanzbolzen mit M6 Gewinde	Spacer
003189	Schlauchschele Entlüftungsschlauch	Hose clamp
003191	Öleinfüllstopfen LW 450	Oil Filler Plug c/w gasket
003286	Ölschauglas	Oil Level Indicator c/w gasket
003492	Untere Ventildichtung, 2. Stufe	Lower valve gasket, 2nd stage
004749	PG Schlauchdurchführung	PG29 Fitting PVC
005355	Reduziernippel G1/8"IG - G1/8"AG Messing	Reducer Nipple G1/8"-G1/8"
005859	Gerade Einschraubverschraubung 6 mm	Straight Hose Connection 6 mm
006232	Distanzhülse für Kühler	Spacer Sleeve
006417	Ölablassschlauch	Oil drain hose
006856	Zylinder 2. Stufe	Cylinder Ø50 mm, 2nd Stage



ERSATZTEILLISTE / SPARE PART LIST

Baugruppe: Kompressorblock / Assembly: Compressor Block

Best.-Nr. / Order No.	Benennung	Description
008850	Wellendichtringdeckel	Shaft Seal Cover
008850	Wellendichtringdeckel	Shaft Seal Cover
008873	Wellendichtring NBR RX	Shaft Seal NBR RX
008874	O-Ring	O-Ring
008877	O-Ring	O-Ring
009053	Lagerdeckel GG25	Main Bearing Flange
009136	Kurbelgehäuse	Crankcase
009444	Ölschlauchstutzen	Oil hose connector
009601	U-Scheibe	Washer
009650	Ventilkopf 1. Stufe	Valve Head, 1st Stage
009686	Halblech-Ölschlauch	Bracket Oil Hose
009687	Halblech-Ölschlauch	Bracket Oil Hose
009694	Öleinfüllschlauch Ø18mm	Oil filler hose Ø18mm
009695	Öleinfüllschlauch Ø18mm	Oil filler hose Ø18mm
009732	Winkelverschraubung	Elbow Connection
009772	Halter Öl-Ablassschlauch	Holder Oil drain hose
009838	Befestigungsblech Rohr Ø8mm	Holder Pipe Ø8mm
009853	Gewindestange M6x229mm	Threaded bar
009969	Entlüftungsschlauch Kurbelgehäuse	Crankcase Breather Hose

C



ERSATZTEILLISTE / SPARE PART LIST

Kurbelwelle / Crankshaft

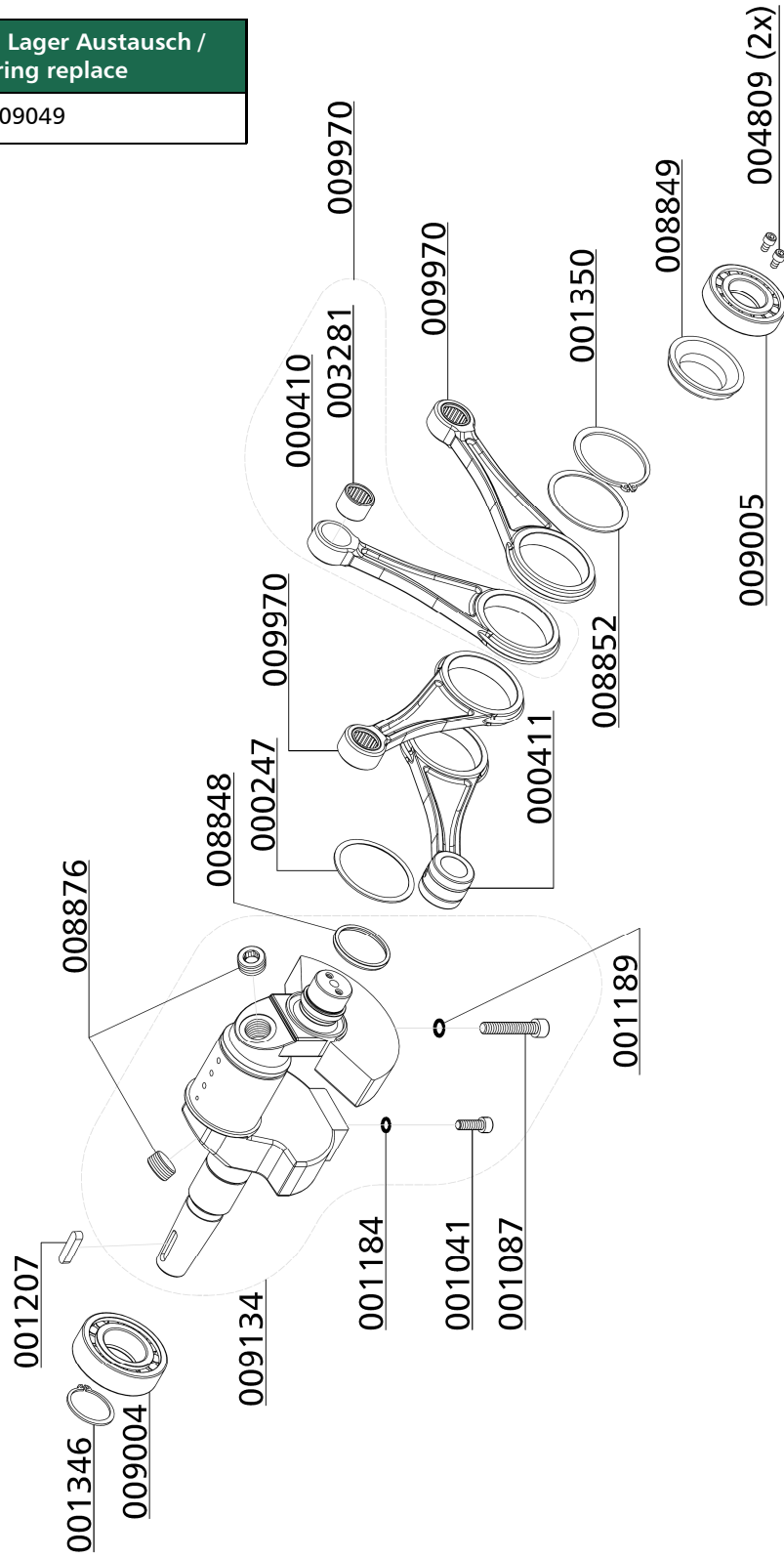
Best.-Nr. / Order No.	Benennung	Description
000247	Anlaufscheibe Kurbelwelle, mit Innenfase	Thrust Washer chamfered Vers.
000410	Pleuel	Conrod, 2.,3. & 4. Stage
000411	Pleuel	Conrod 1st Stage
001041	Zylinderschraube	Allen Screw
001087	Zylinderschraube	Hexagon Bolt
001184	Schnorr-Scheibe	Clamp Washer S8
001189	Schnorr-Scheibe S10	Clamp Washer S10
001207	Passfeder (Kurbelwelle LW 300/450)	Woodruff Key
001346	Sicherungsring	Circlip A40
001350	Sicherungsring	Circlip A65
003281	Nadellager Pleuel Ø28xØ22x20 mm	Needle bearing, con-rod
004809	Ölpumpenmitnehmerschraube	Drive bolt
008848	Ölschleuderring	Oil Ring
008849	Ölrohr	Oil Pipe
008852	Anlaufscheibe Kurbelwelle	Thrust Washer
008876	Verschlusschraube	Plug Screw
009004	Kurbelwellenlager (Schwungradseite)	Main Roller Bearing
009005	Kurbelwellenlager (Ölpumpenseite)	Main Roller Bearing
009049	Spezialwerkzeug Pleuellager	Special Tool, removal bearing
009134	Kurbelwelle, komplett; ab 19.10.16	Crankshaft c/w Counter Weight
009970	Pleuel 2., 3. & 4.Stufe	Conrod, 2.,3. & 4. Stage

C

DETAILANSICHT / DETAILED VIEW

Kurbelwelle / Crankshaft

Spezialwerkzeug Lager Austausch /
Special Tool Bearing replace
009049





ERSATZTEILLISTE / SPARE PART LIST

Kolben 1. Stufe / Piston 1st Stage

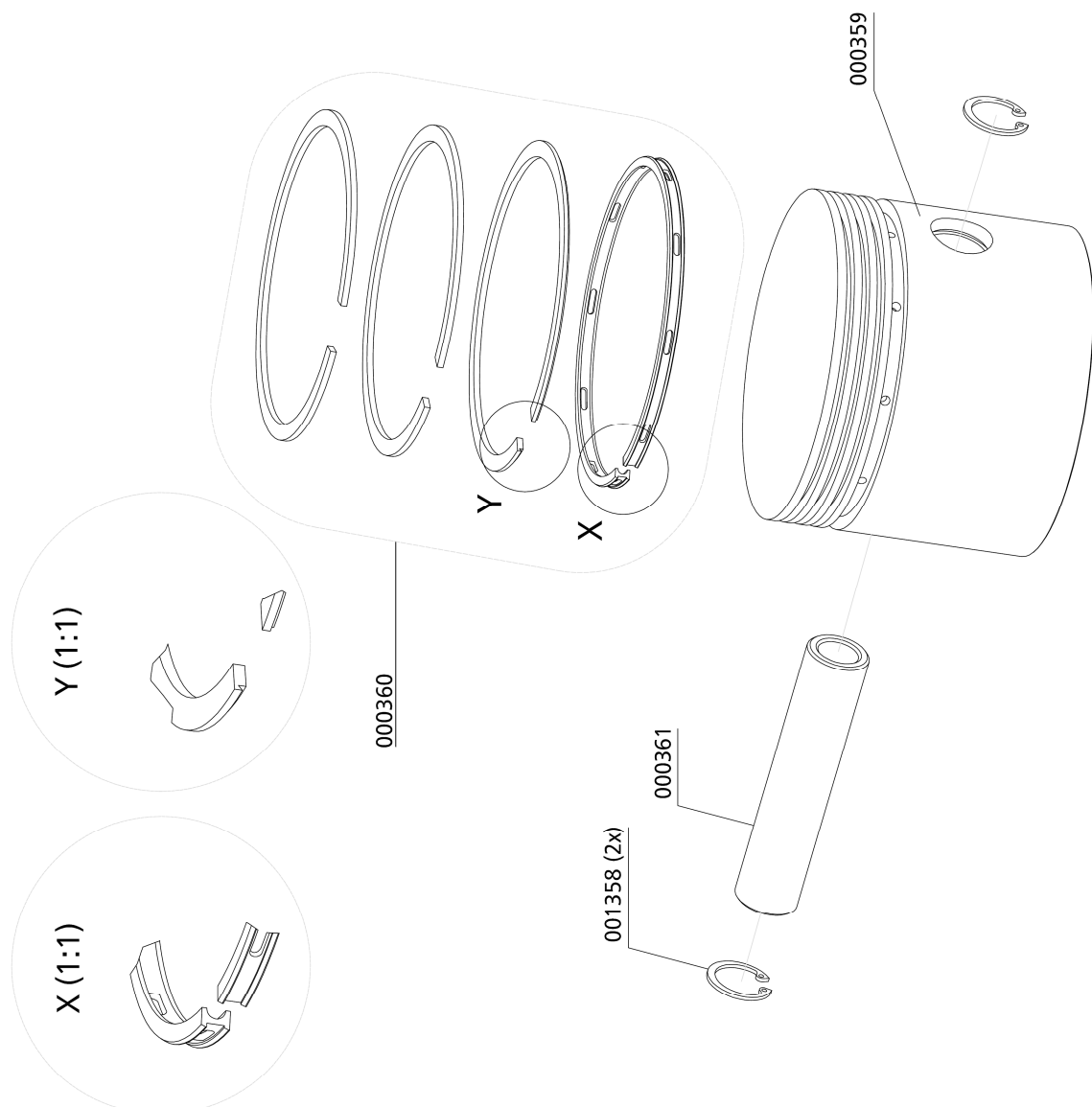
Best.-Nr. / Order No.	Benennung	Description
000359	Kolben, 1. Stufe, Ø105mm	Piston 1st Stage Ø105 mm
000360	Kolbenringsatz 1. Stufe Ø105mm	Set Piston Rings 1st Stage Ø105mm
000361	Kolbenbolzen, 1. Stufe Ø25x90 mm	Piston Pin Ø25x90mm
001358	Sicherungsring I 25 DIN472	Circlip I 25 DIN472
005454	Spezialwerkzeug, Spannband	Special Tool, tightening strap

C

DETAILANSICHT / DETAILED VIEW

Kolben 1. Stufe / Piston 1st Stage

Spezialwerkzeug Kolbenmontage / Special Tool Piston fitting	Spezialwerkzeug Kolbenringmontage / Pistonring fitting Tool
005454	-



C



ERSATZTEILLISTE / SPARE PART LIST

Kolben 2. Stufe / Piston 2nd Stage

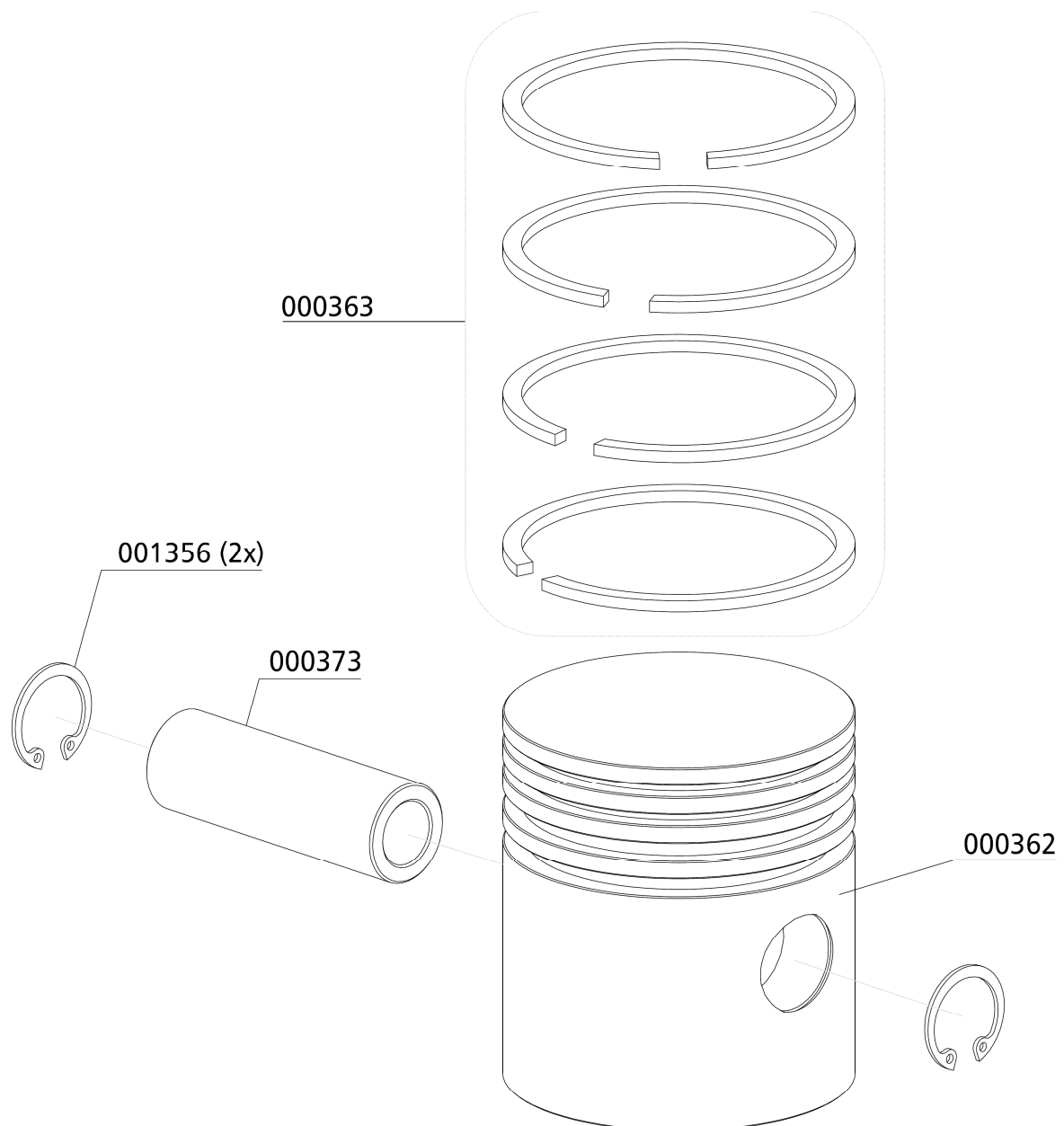
Best.-Nr. / Order No.	Benennung	Description
000362	Kolben, 2. Stufe	Piston 2nd Stage
000363	Kolbenringsatz 2. Stufe, Ø50mm	Set Piston Rings 2nd Stage Ø50mm
000373	Kolbenbolzen, 2. / 3. / 4. Stufe	Piston Pin, 2nd Stage
001356	Sicherungsring, I 22 DIN472	Circlip I22 DIN472
009397	Spezialwerkzeug Kolbenmontage Ø50mm	Special Tool, Splitted bush

C

DETAILANSICHT / DETAILED VIEW

Kolben 2. Stufe / Piston 2nd Stage

Spezialwerkzeug Kolbenmontage / Special Tool Piston fitting	Spezialwerkzeug Kolbenringmontage / Pistonring fitting Tool
009397	-



C



ERSATZTEILLISTE / SPARE PART LIST

Kolben 3. Stufe / Piston 3rd Stage

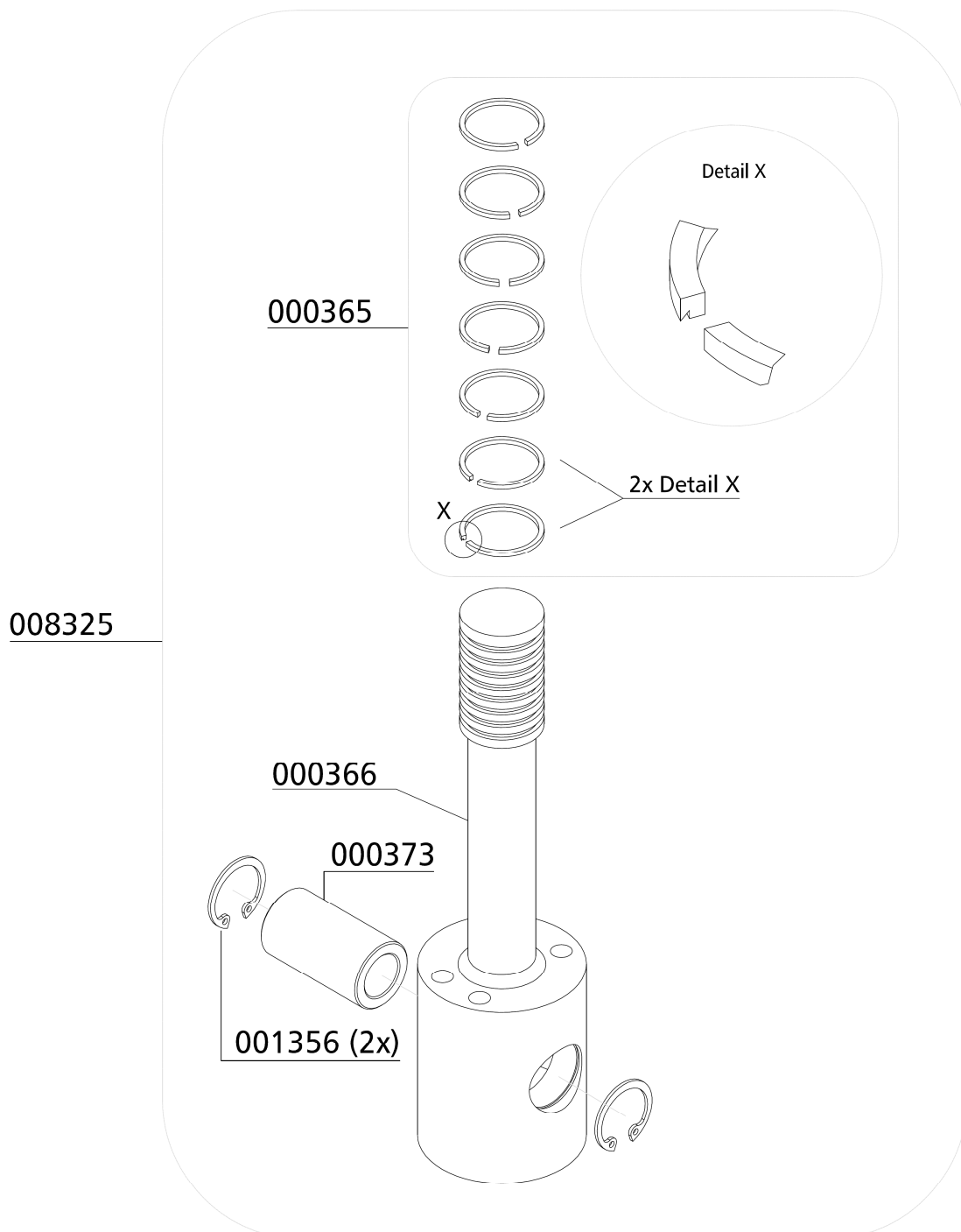
Best.-Nr. / Order No.	Benennung	Description
000365	Kolbenringsatz Ø25mm	Set Piston Rings Ø25mm
000366	Kolben Ø25mm/50mm, 3. Stufe	Piston Ø25mm/50mm, 3rd Stage
000373	Kolbenbolzen Ø22 x 40mm	Piston Pin Ø22 x 40mm
001356	Sicherungsring, I 22 DIN472	Circlip I22 DIN472
005461	Spezialwerkzeug, Halbschalen, Ø22mm	Special Tool, Splitted bush
008325	Kolben Ø25/50, komplett	Piston Ø25/50, complete
008735	Spezialwerkzeug Kolbenringe, 2-teilig Ø25 mm Montagezange & Hülse	Special Tool Piston Rings Ø25

C

DETAILANSICHT / DETAILED VIEW

Kolben 3. Stufe / Piston 3rd Stage

Spezialwerkzeug Kolbenmontage / Special Tool Piston fitting	Spezialwerkzeug Kolbenringmontage / Pistonring fitting Tool
005461	008735



C



ERSATZTEILLISTE / SPARE PART LIST

Kolben 4. Stufe / Piston 4th Stage

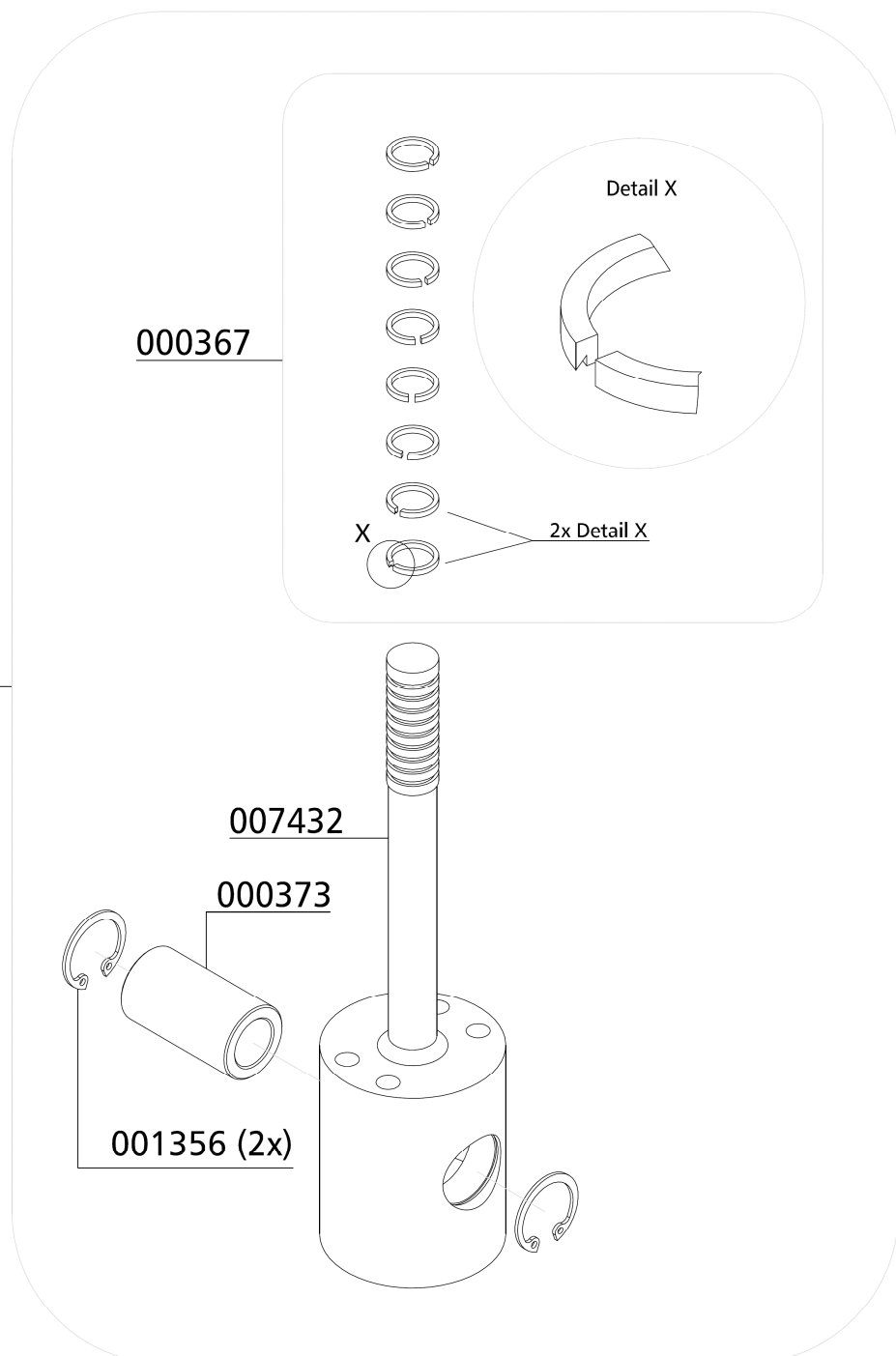
Best.-Nr. / Order No.	Benennung	Description
000367	Kolbenringsatz Ø14mm	Set Piston Rings Ø14mm
000368	Kolben Ø14mm/50mm, komplett	Piston Ø14mm/50mm, complete
000373	Kolbenbolzen Ø22 x 40 mm	Piston Pin Ø22 x 40 mm
001356	Sicherungsring I 22 DIN472	Circlip I 22 DIN472
005458	Spezialwerkzeug, 2 Halbschalen für Montage Kolben Ø14mm	Special Tool, Splitted bush
005459	Spezialwerkzeug, Montagehülse für Montage Kolbenringe Ø 14mm	Special Tool, Fitting tool
005460	Spezialwerkzeug, Montagezange für Montage Kolbenringe Ø 14mm	Special Tool, Pliers
007432	Kolben Ø14mm/50mm	Piston Ø14mm/50mm

C

DETAILANSICHT / DETAILED VIEW

Kolben 4. Stufe / Piston 4th Stage

Spezialwerkzeug Kolbenmontage / Special Tool Piston fitting	Spezialwerkzeug Kolbenringmontage / Pistonring fitting Tool
005458	005459 / 005460



C



ERSATZTEILLISTE / SPARE PART LIST

Ventil 1. & 2. Stufe / Valve 1st & 2nd Stage

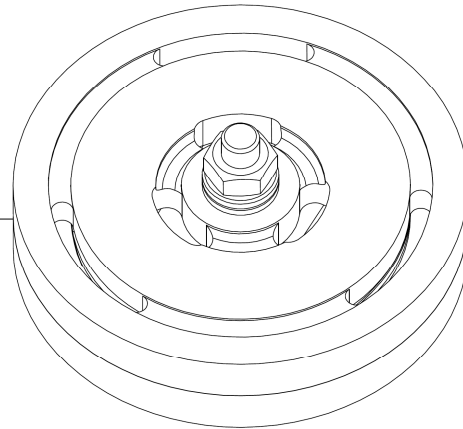
Best.-Nr. / Order No.	Benennung	Description
000256	Saug- Druckventil, 2. Stufe	In-&Outlet Valve, 2nd Stage
000369	Saug- Druckventil, 1. Stufe	In-&Outlet Valve, 1st Stage

C

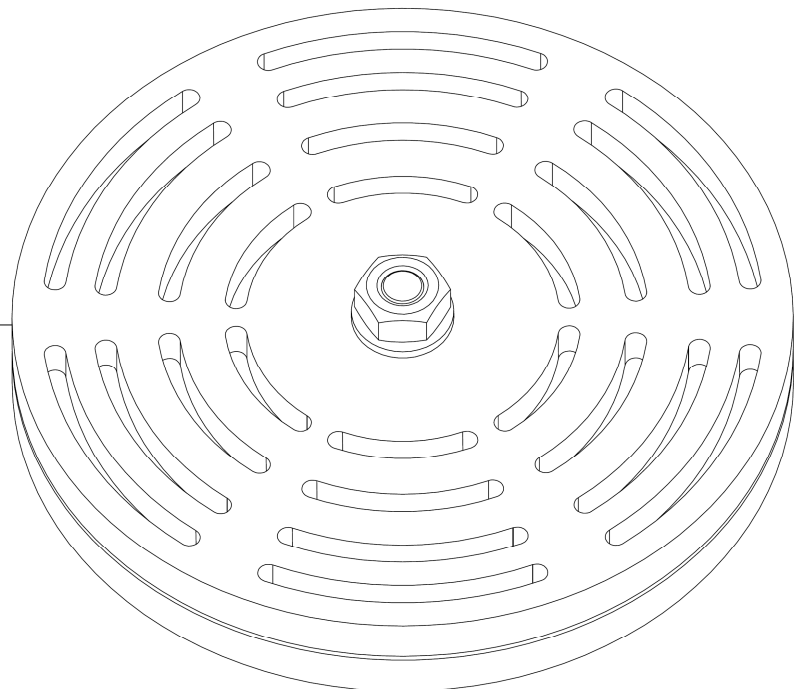
DETAILANSICHT / DETAILED VIEW

Ventil 1. & 2. Stufe / Valve 1st & 2nd Stage

000256
Ventil 2.Stufe
Valve 2nd Stage



000369
Ventil 1.Stufe
Valve 1st Stage



C



ERSATZTEILLISTE / SPARE PART LIST

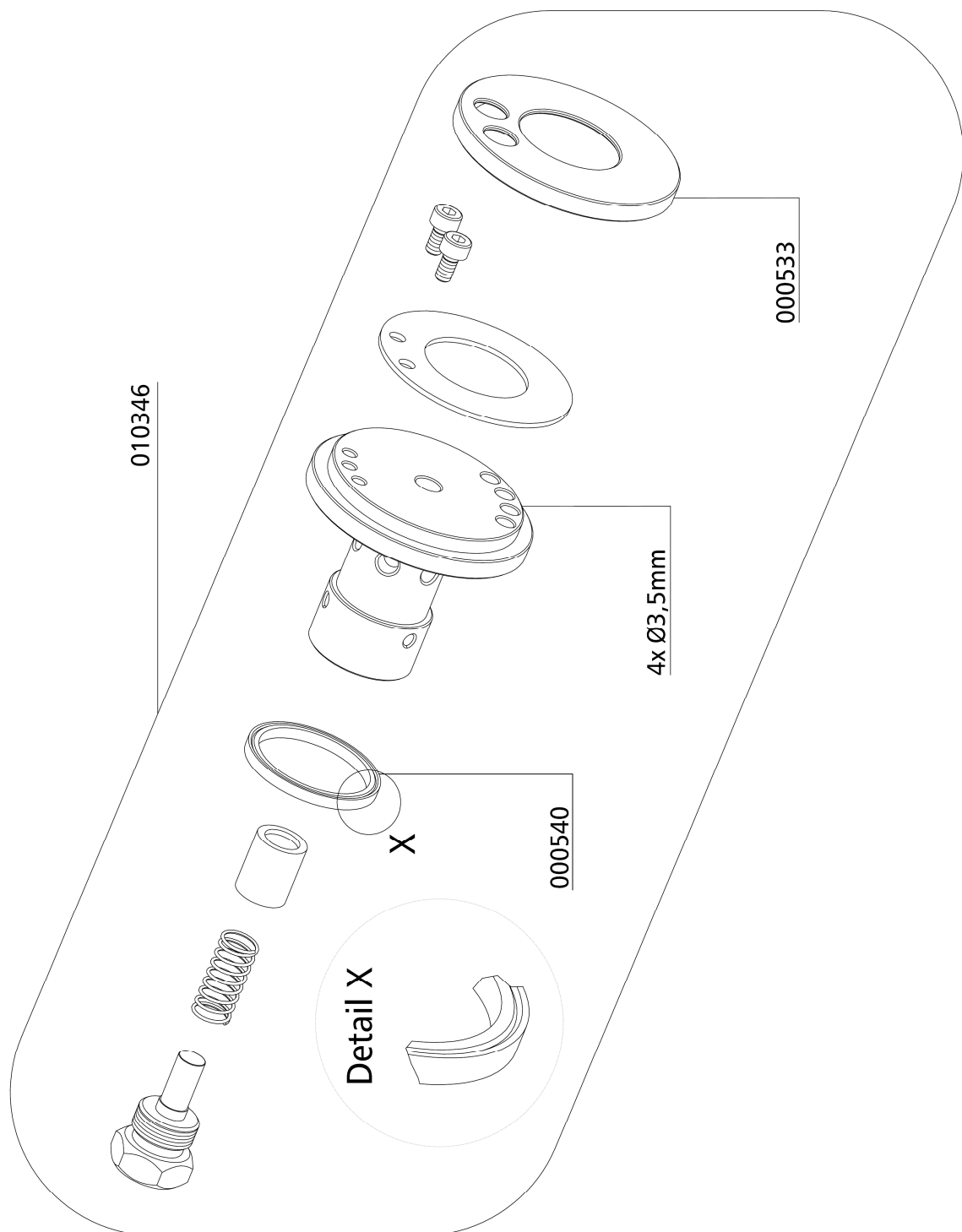
Baugruppe: Ventil 3. Stufe / Assembly: Valve 3rd Stage

Best.-Nr. / Order No.	Benennung	Description
000533	Ventildichtung, Saug-& Druckventil unten	Lower Valve Gasket, 3rd Stage
000540	Dichtring / Dichtung, 3. Stufe	Upper Alloy Seal Ring, 3rd Stage
010346	Saug-Druckventil, 3. Stufe, komplett	In- & Outlet Valve, 3rd Stage

C

DETAILANSICHT / DETAILED VIEW

Baugruppe: Ventil 3. Stufe / Assembly: Valve 3rd Stage





ERSATZTEILLISTE / SPARE PART LIST

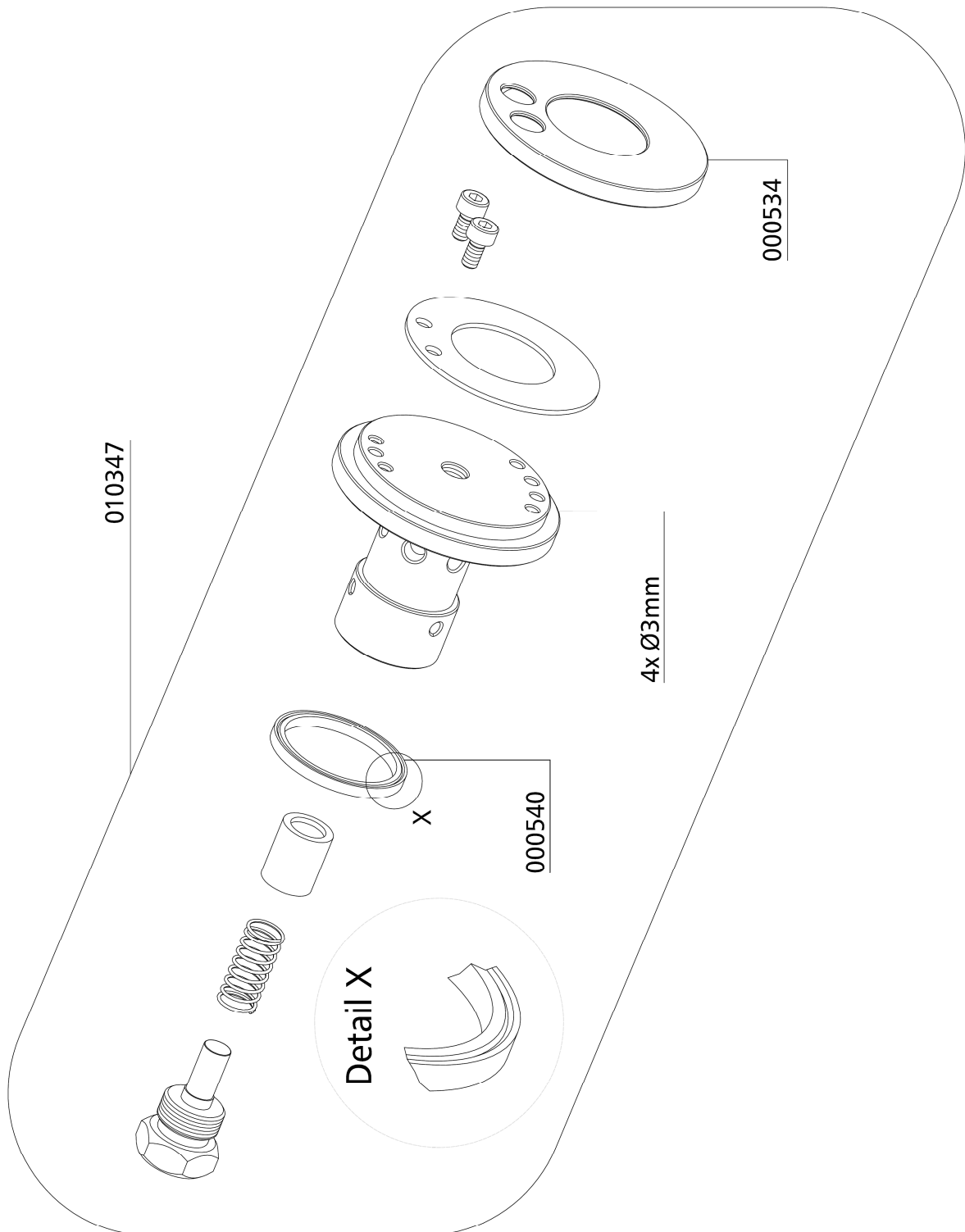
Ventil 4. Stufe / Valve 4th Stage

Best.-Nr. / Order No.	Benennung	Description
000534	Ventildichtung, Saug- & Druckventil, Typ 44/15/36-0,3, Al	Lower Valve Gasket, Type 44/15/36-0,3, Alloy
000540	Dichtring, Saug- u. Druckventil oben, Al	Upper Alloy Seal Ring, Alloy
010347	Saug-Druckventil, 4. Stufe, komplett	In- & Outlet Valve, 4th Stage

C

DETAILANSICHT / DETAILED VIEW

Ventil 4. Stufe / Valve 4th Stage



C



ERSATZTEILLISTE / SPARE PART LIST

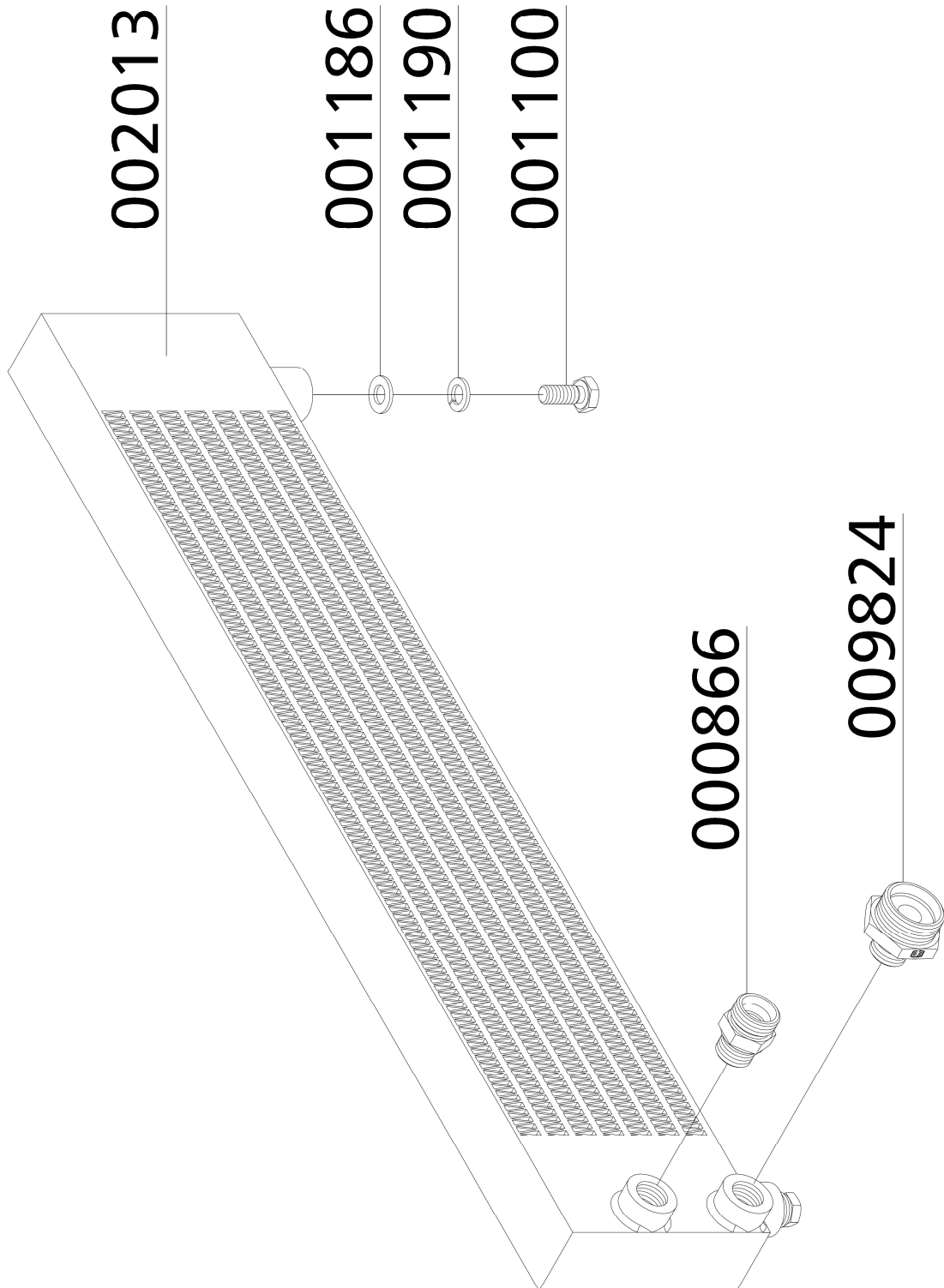
Kühler 1. Stufe / Cooler 1st Stage

Best.-Nr. / Order No.	Benennung	Description
000866	Verschraubung	Connection
001100	6-kant Schraube	Hexagon Screw
001186	U-Scheibe A10	Washer A10
001190	Federring A10	Spring Washer A10
002013	Kühler 1. Stufe	Cooler 1st Stage
009824	Gerade Verschraubung	Straight Connection

C

DETAILANSICHT / DETAILED VIEW

Kühler 1. Stufe / Cooler 1st Stage



C



ERSATZTEILLISTE / SPARE PART LIST

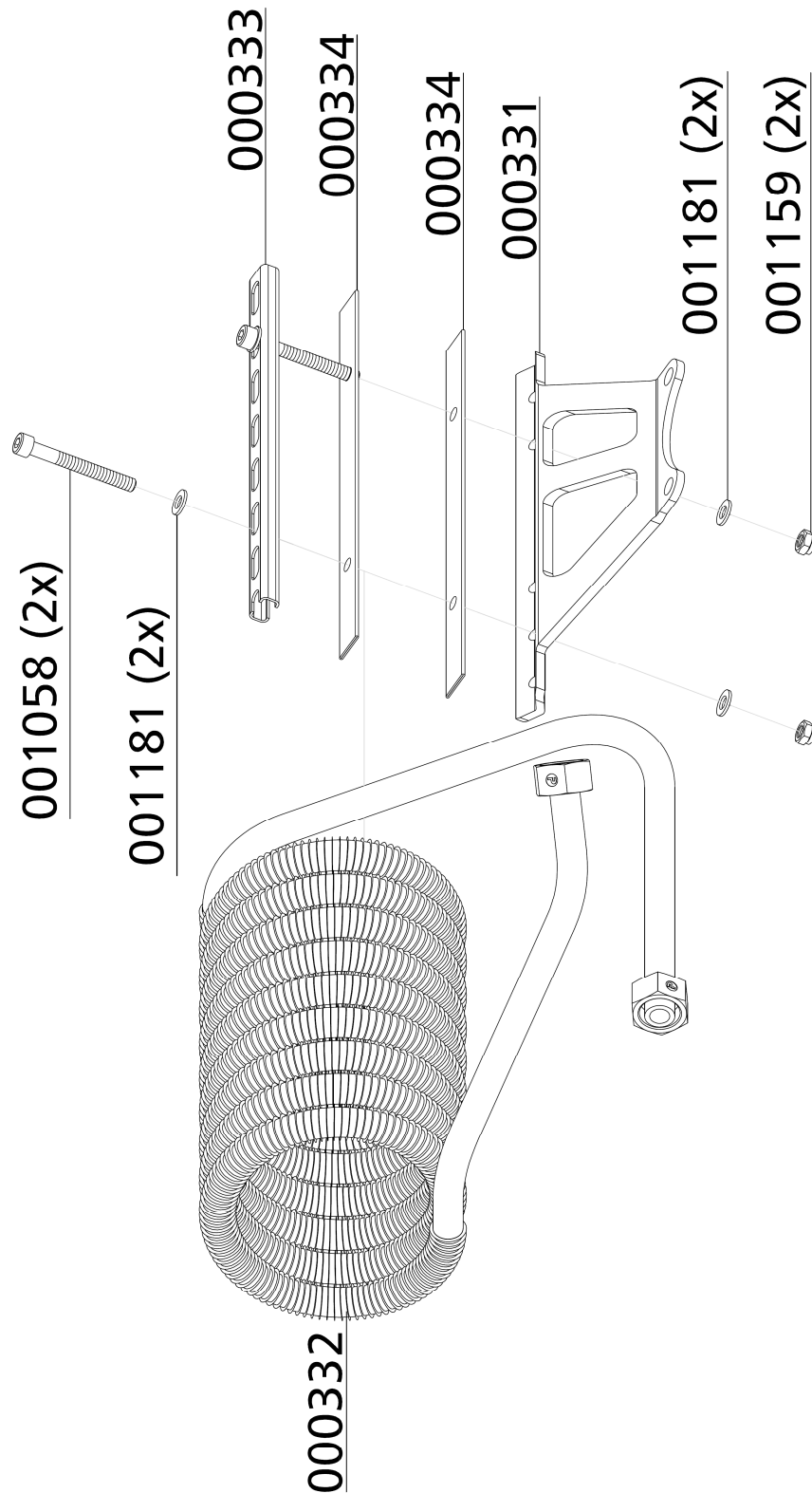
Kühler 2. Stufe / Cooler 2nd Stage

Best.-Nr. / Order No.	Benennung	Description
000331	Halteblech Kühlspirale 2. Stufe	Bracket 2nd Stage Cooling Pipe
000332	Wärmetauscher 2. Stufe, Cu	Heat Exchanger 2nd Stage
000333	Klemmschiene Wärmetauscher, Halteschiene	Clamp Bar for Heat Exchanger
000334	PVC Schlauch, transparent	PVC Hose for Bracket
001058	Zylinderschraube	Allen Bolt
001159	Stopmutter	Lock Nut M8
001181	U-Scheibe A8	Washer A8

C

DETAILANSICHT / DETAILED VIEW

Kühler 2. Stufe / Cooler 2nd Stage





ERSATZTEILLISTE / SPARE PART LIST

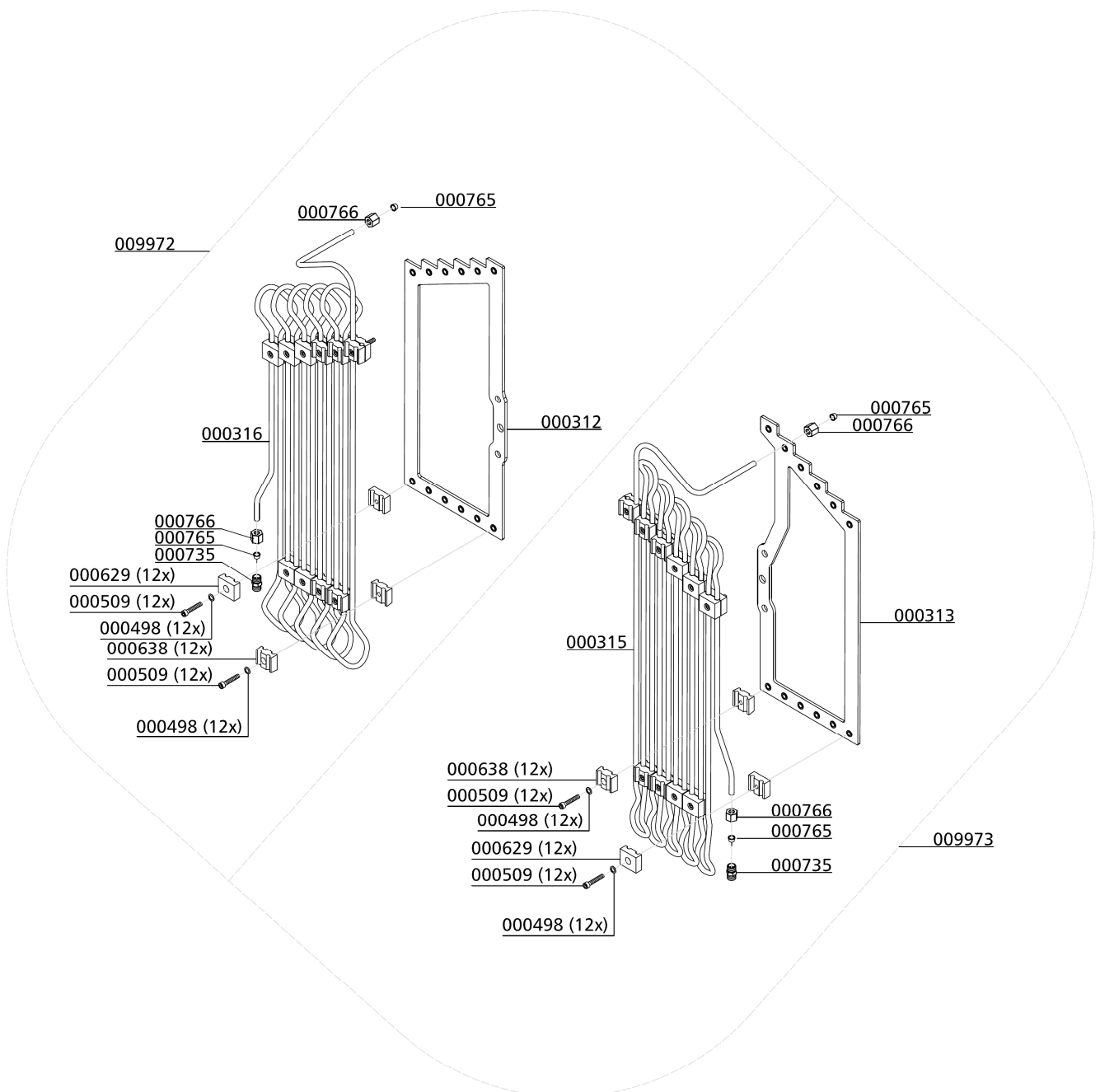
Kühler 3. & 4. Stufe / Cooler 3rd & 4th Stage

Best.-Nr. / Order No.	Benennung	Description
000312	Kühlerhalter links, m. Gewindenieten	Bracket c/w threaded rivets
000313	Kühlerhalter rechts, m. Gewindenieten	Bracket c/w threaded rivets
000315	Kühlrohr links ohne Halter u. Klemmen	Cooling Pipe 4th Stage
000316	Kühlrohr rechts ohne Halter u. Klemmen	Cooling Pipe 3rd Stage
000498	U-Scheibe A6	Washer A6
000509	Zylinderschraube	Allen Bolt
000628	Einfachschelle 1 x 8mm 1 Paar	Pipe Clamp 1x8mm 1pair PVC
000629	Doppelschelle 2 x 8mm 1 Paar	Pipe Clamp 2x8mm - 1 pair
000638	Doppelschelle 2 x 8 mm 1 Paar	Pipe Clamp 2x8mm - 1 pair
000735	Verschraubung	Connection
000765	Schneidring 8 mm	Olive Seal 8 mm
000766	Mutter	Nut
001013	Zylinderschraube	Allen Bolt
001027	Zylinderschraube	Allen Bolt
001156	Stopfmutter	Lock Nut M6
005841	Linsenflanschschraube mit Innensechskant	Lens Head Screw
005842	Linsenflanschschraube mit Innensechskant	Lens Head Screw
006400	Zusatzkühler, Endstufe, kompl.	Additional Cooler, Final Stage
006401	Befestigungsblech für Kühlrohrklemmen	Mounting sheet for clamps
006402	Kühlerrohr Zusatzkühler	Cooling Pipe Additional Cooler
009972	Kühler 3.Stufe	Cooler 3rd Stage complete
009973	Kühler 4.Stufe	Cooler 4th Stage complete

C

DETAILANSICHT / DETAILED VIEW

Kühler 3. & 4. Stufe / Cooler 3rd & 4th Stage

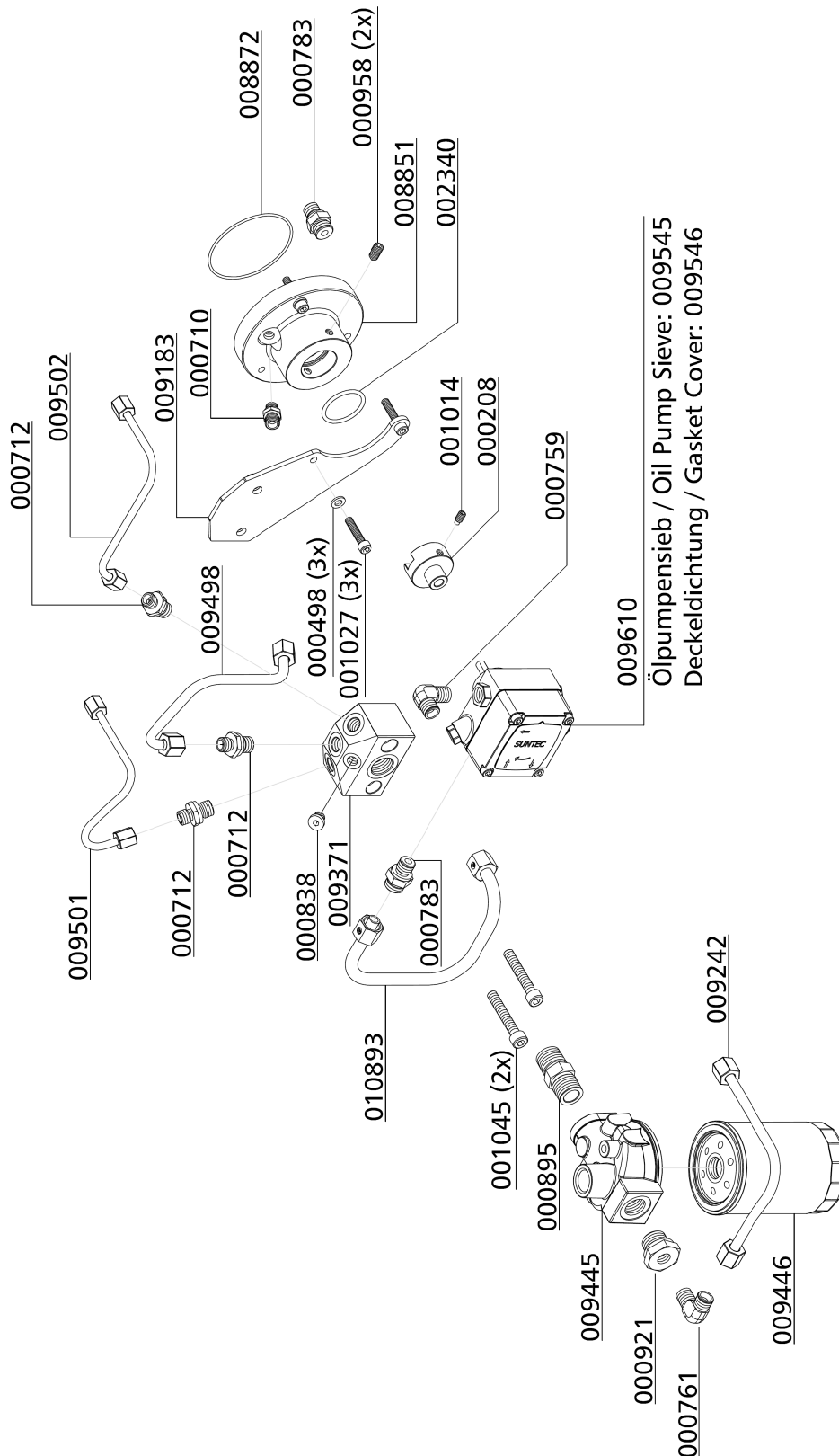


Ölpumpe / Oil Pump

Best.-Nr. / Order No.	Benennung	Description
000208	Ölpumpenantriebsflansch	Drive Flange Oil Pump
000498	U-Scheibe A6	Washer A6
000710	Verschraubung	Connection w/o nut& olive seal
000712	Verschraubung	Connection w/o nut& olive seal
000759	Verschraubung	Elbow connection c/w nut&olive
000761	Winkelverschraubung	Elbow Connection
000783	Verschraubung	Straight Connection
000838	Verschlussstopfen	Plug
000895	Doppelnippel	Double Nipple
000921	Reduzierung	Reducer
000958	Gewindestift, Madenschraube	Hexagon Socket Screw
001014	Gewindestift mit Zapfen	Hexagon Socket Screw
001027	Zylinderschraube	Allen Bolt
001045	Zylinderschraube	Allen Screw
002340	O-Ring Ölpumpenflansch	O-Ring, oil pump flange
008851	Ölpumpenflansch	Oil Pump Flange
008872	O-Ring	O-Ring
009183	Halter Ölverteilerblock LW 450	Bracket oil distributor block
009242	Öldruckleitung Ø8mm	Oil Suction Pipe
009371	Ölverteilerblock, Alu	Oil distributor block, alloy
009445	Niederdruckfilter	Low-Pressure Filter, 10 bar
009446	Ölfilterwechsepatrone	Oil Filter Cartridge
009498	Öldruckleitung Ø6mm, mit 2mm Düse	Oil Suction Pipe
009501	Öldruckleitung Ø6mm, mit 0,7mm Düse	Oil Pressure Pipe
009502	Öldruckleitung Ø6mm, mit 0,7mm Düse	Oil Pressure Pipe
009545	Ölpumpensieb für Ölpumpe	Sieve Oil Pump
009546	Dichtung Ölpumpendeckel	Gasket Oil Pump Cover
009610	Ölpumpe	Oil Pump
010893	Ölsaugleitung Ø10mm	Oil Suction Pipe

DETAILANSICHT / DETAILED VIEW

Ölpumpe / Oil Pump





ERSATZTEILLISTE / SPARE PART LIST

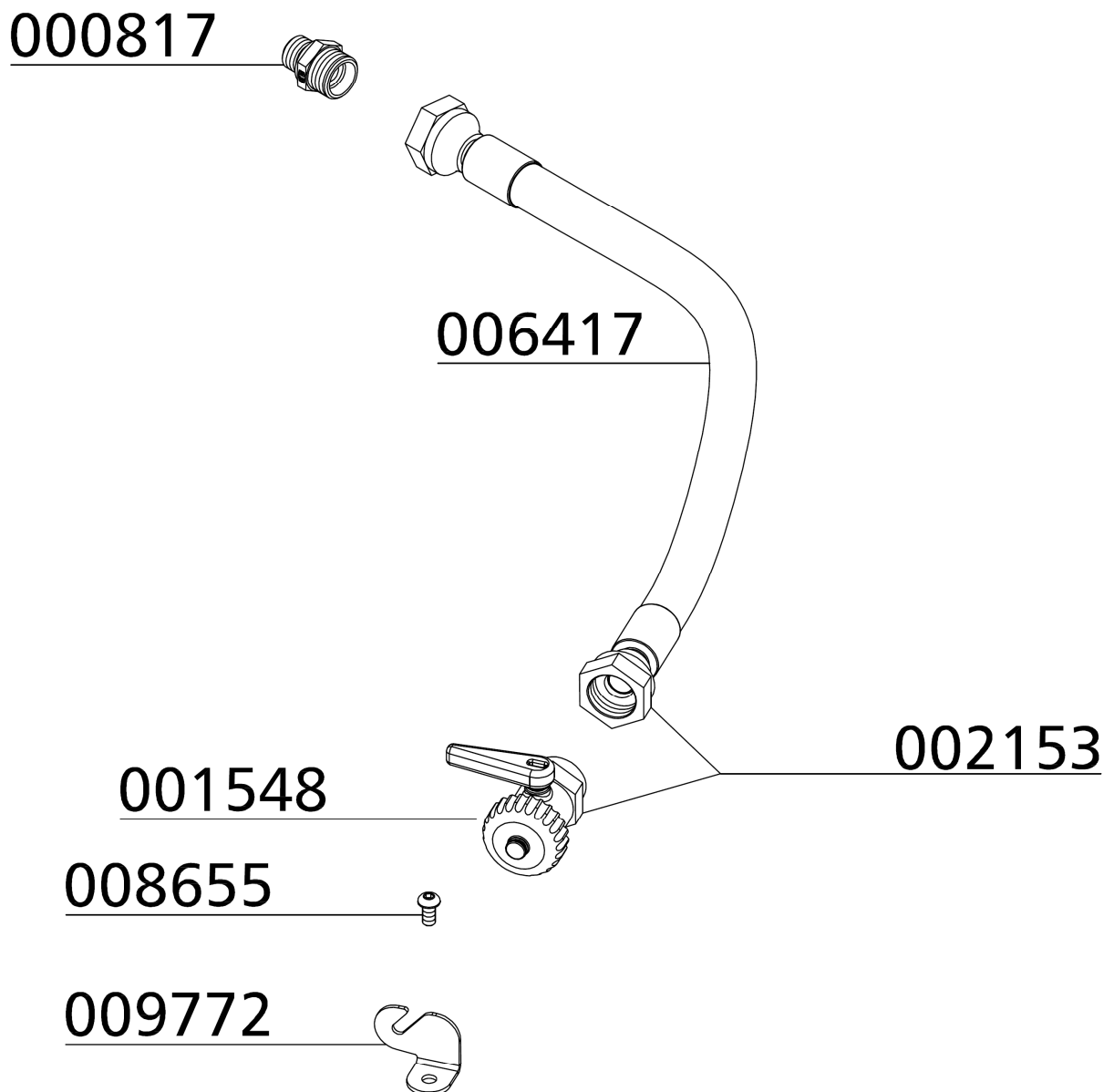
Baugruppe: Ölablassschlauch / Assembly: Oil Drainage Tube

Best.-Nr. / Order No.	Benennung	Description
000817	Verschraubung	Connection
001548	Ölablassventil (Kugelhahn)	Oil Drain Valve - ball valve
002153	Ölablassschlauch inkl. Kugelhahn	Oil drain hose c/w ball valve
006417	Ölablassschlauch	Oil drain hose
008655	Linsenflanschschraube mit Innensechskant M6x12 mm, DIN 7380F, 10.9	Lens Head Screw M6x12 mm, DIN 7380F, 10.9
009772	Halter Öl-Ablausschlauch	Holder Oil drain hose

C

DETAILANSICHT / DETAILED VIEW

Baugruppe: Ölablassschlauch / Assembly: Oil Drainage Tube



C



ERSATZTEILLISTE / SPARE PART LIST

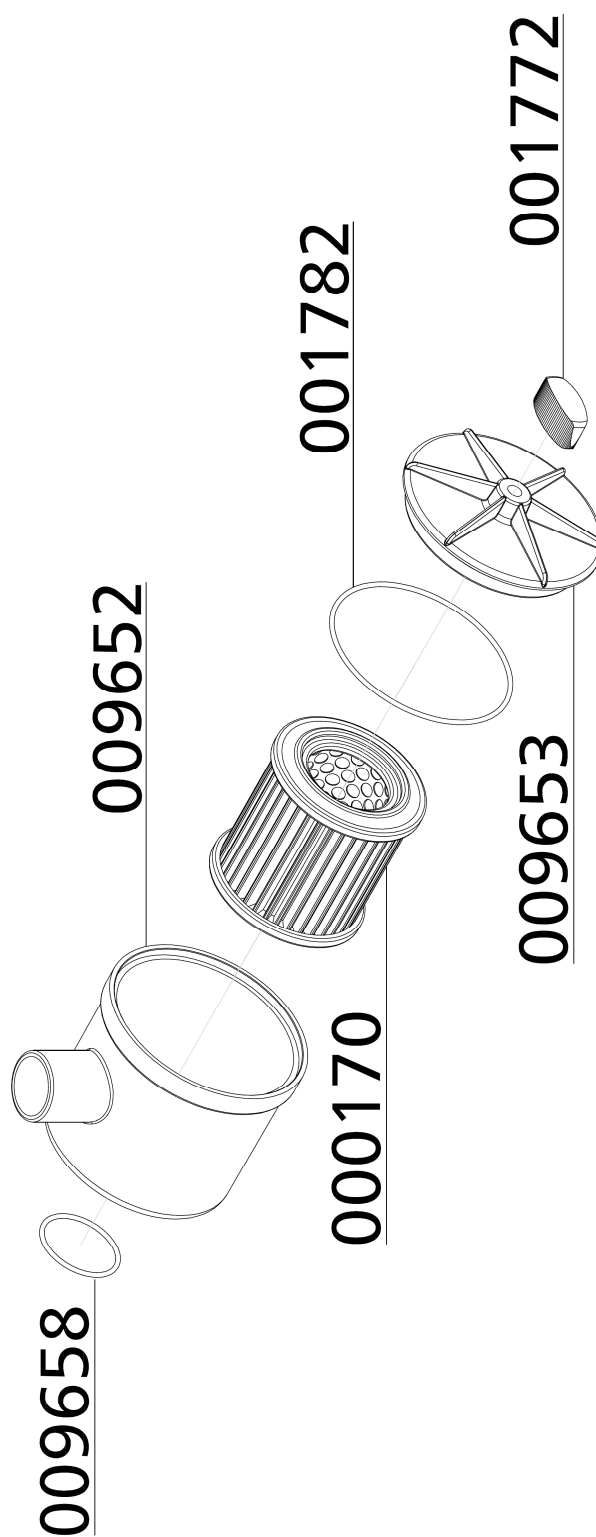
Baugruppe: Ansaugfilter / Intake Filter

Best.-Nr. / Order No.	Benennung	Description
000170	Ansaugfilterpatrone	Air Intake Filter Cartridge
001772	Flügelmutter, PVC-schwarz	Winged Nut, PVC black
001782	O-Ring, Ansaugfiltergehäuse	O-Ring, Intake Filter Housing
009652	Gehäuse für Ansaugfilter	Intake Filter Housing
009653	Deckel für Ansaugfilter	Cover Intake filter housing
009658	O-Ring	O-Ring

C

DETAILANSICHT / DETAILED VIEW

Baugruppe: Ansaugfilter / Intake Filter





ERSATZTEILLISTE / SPARE PART LIST

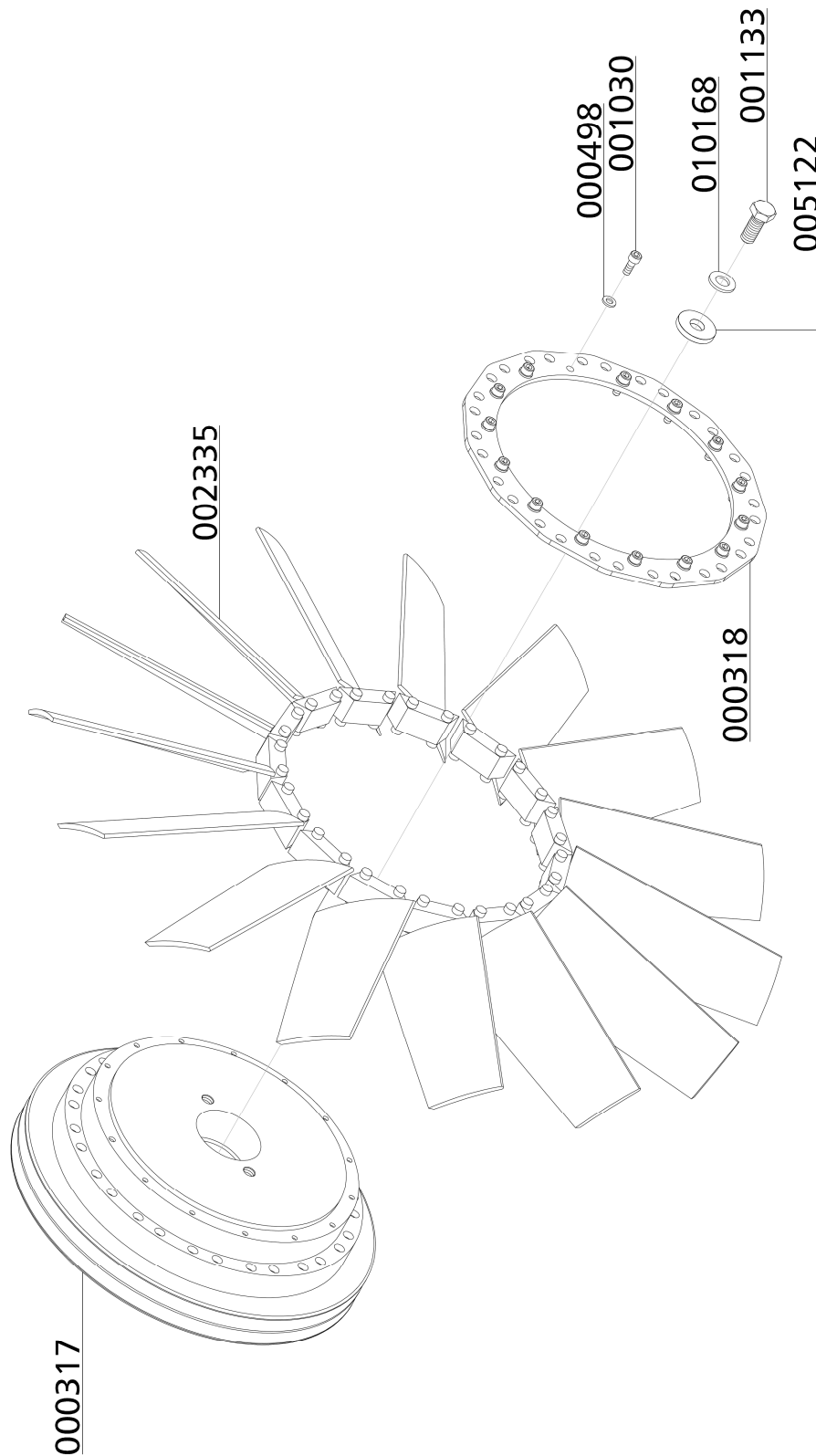
Lüfterrad / Cooling Fan

Best.-Nr. / Order No.	Benennung	Description
000317	Schwungscheibe	Flywheel
000318	Zentrierring, Lüfterblätter	Fixing Ring Fan Blades
000498	U-Scheibe A6	Washer A6
001030	Zylinderschraube, M6x16mm DIN912 8.8 ZN	Allen Bolt, M6x16mm DIN912 8.8 ZN
001133	6-kant Schraube	Hexagon Bolt M12x30
002335	Ventilatorflügelblatt, schwarz	Fan Blade, black, new version
005122	U-Scheibe Kurbelwelle	Washer, crank shaft
010168	Zahnscheibe A12	Lock Washer A12

C

DETAILANSICHT / DETAILED VIEW

Lüfterrad / Cooling Fan



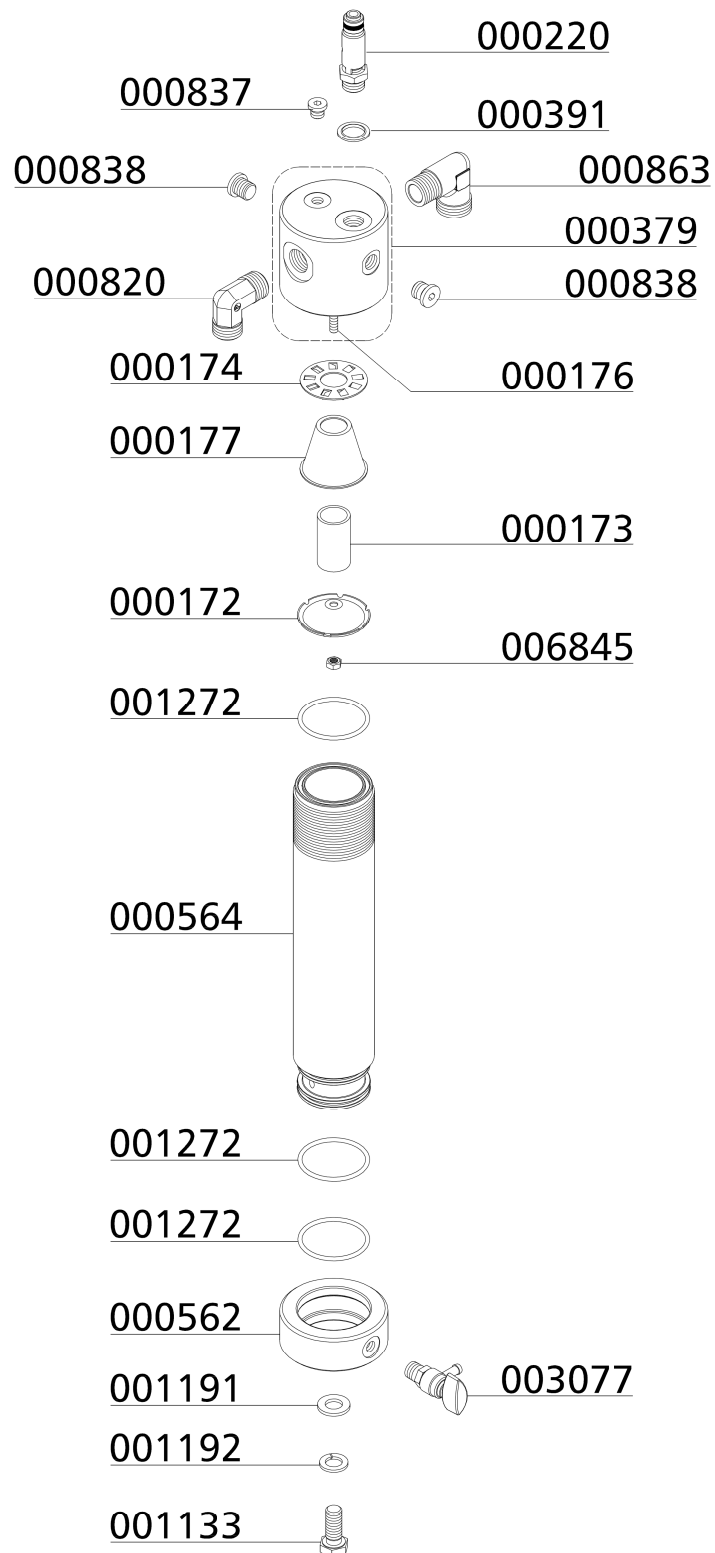
Öl- / Wasserabscheider 1. Stufe / Oil- / Water Separator 1st Stage

Best.-Nr. / Order No.	Benennung	Description
000172	Prallscheibe	Mounting plate water separator
000173	Sinterfilter Wasserabscheider	Sintered Filter Water separat.
000174	Drallscheibe, Wasserabscheider	Twist Disk, Water separator
000176	Stiftschraube, Wasserabscheider 2. Stufe	Treaded Stud
000177	Trichter f. Wasserabscheider	Water Deflector
000220	Sicherheitsventil G3/8"	Safety Valve G3/8" 8 bar
000379	Wasserabscheider - Oberteil G1/2" IG	Top Water Separator 1/2"female
000391	U-Sit Ring	Seal Ring U-Sit
000562	Wasserabscheider - Ring	Ring Water Separator, 2nd St.
000564	Öl-/Wasserabscheider - Druckbehälter	Container Water Separ.
000820	Verschraubung	Elbow-Connection
000837	Verschlussstopfen	Plug
000838	Verschlussstopfen	Plug
000863	Winkelverschraubung 90°	Elbow Connection
001133	6-kant Schraube	Hexagon Bolt M12x30
001191	U-Scheibe A12	Washer A12
001192	Federring A12	Spring Washer A12
001272	O-Ring	O-Ring Water separator
003077	Entwässerungsventil G1/4" AG, konisch	Drain Valve G1/4" male
006845	Stopfmutter Edelstahl	Lock Nut M6 s/s

C

DETAILANSICHT / DETAILED VIEW

Öl- / Wasserabscheider 1. Stufe / Oil- / Water Separator 1st Stage



C

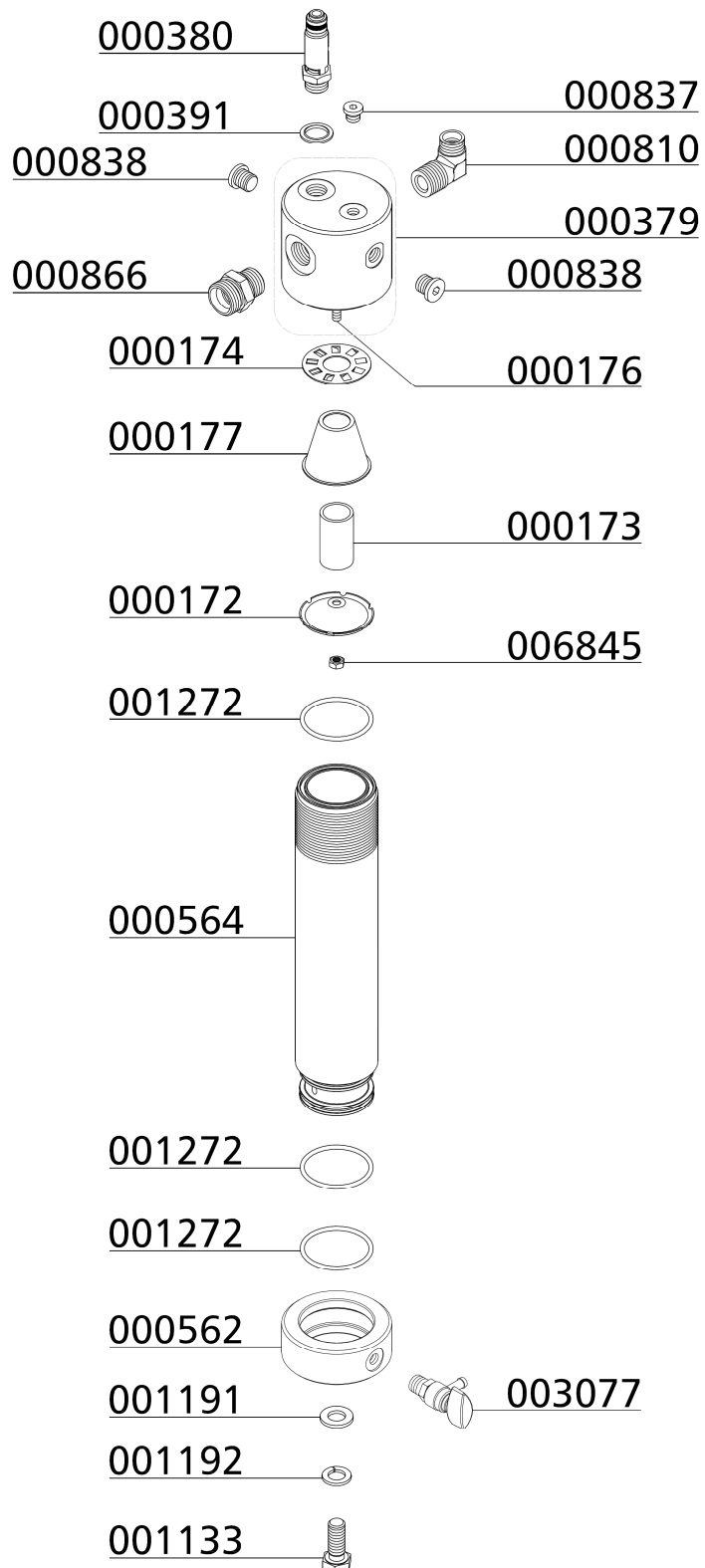
Öl- / Wasserabscheider 2. Stufe / Oil- / Water Separator 2nd Stage

Best.-Nr. / Order No.	Benennung	Description
000172	Prallscheibe	Mounting plate water separator
000173	Sinterfilter Wasserabscheider	Sintered Filter Water separat.
000174	Drallscheibe, Wasserabscheider	Twist Disk, Water separator
000176	Stiftschraube, Wasserabscheider 2. Stufe	Treaded Stud
000177	Trichter f. Wasserabscheider	Water Deflector
000379	Wasserabscheider - Oberteil G1/2" IG	Top Water Separator 1/2"female
000380	Sicherheitsventil G3/8"	Safety Valve G3/8" 22 bar
000391	U-Sit Ring	Seal Ring U-Sit
000562	Wasserabscheider - Ring	Ring Water Separator, 2nd St.
000564	Öl-/Wasserabscheider - Druckbehälter	Container Water Separ.
000810	Verschraubung	Connection
000837	Verschlussstopfen	Plug
000838	Verschlussstopfen	Plug
000866	Verschraubung	Connection
001133	6-kant Schraube	Hexagon Bolt M12x30
001191	U-Scheibe A12	Washer A12
001192	Federring A12	Spring Washer A12
001272	O-Ring	O-Ring Water separator
003077	Entwässerungsventil G1/4" AG, konisch	Drain Valve G1/4" male
006845	Stopfmutter Edelstahl	Lock Nut M6 s/s

C

DETAILANSICHT / DETAILED VIEW

Öl- / Wasserabscheider 2. Stufe / Oil- / Water Separator 2nd Stage



C



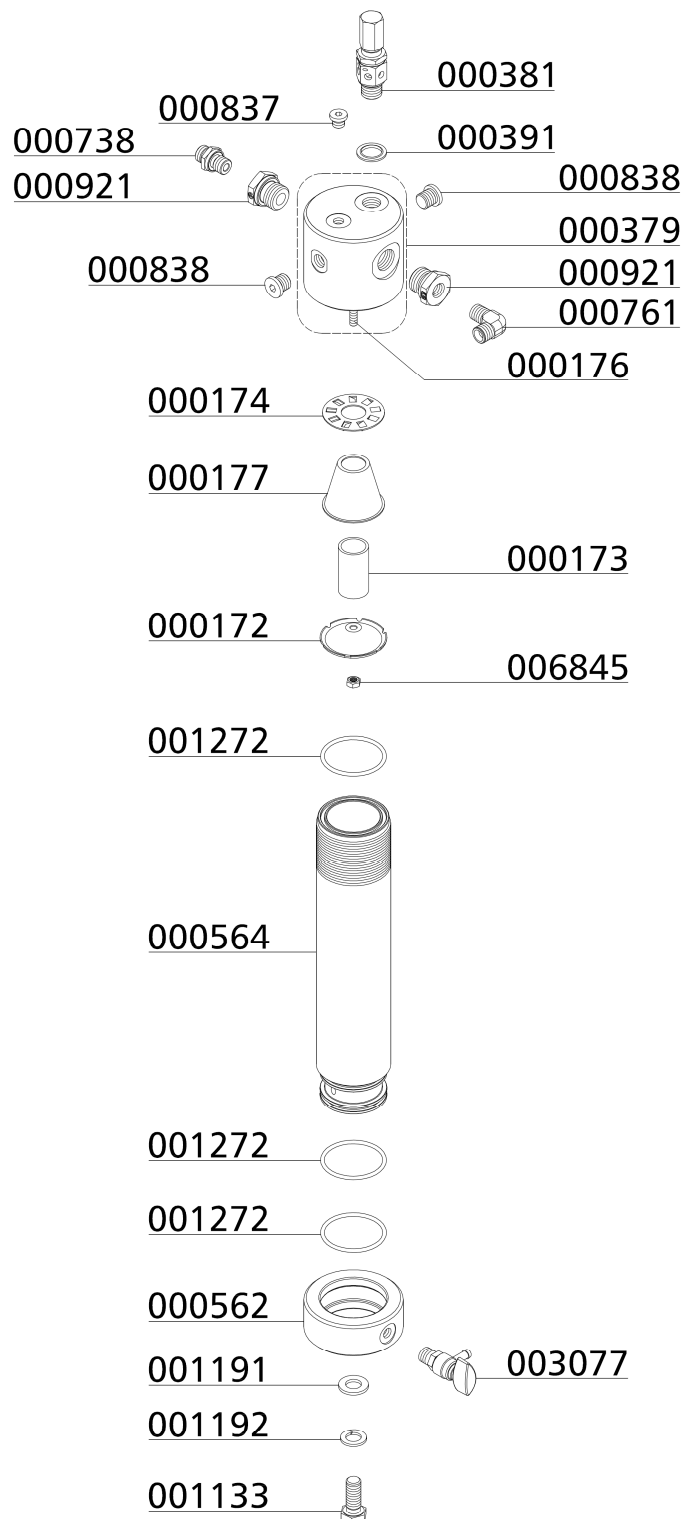
ERSATZTEILLISTE / SPARE PART LIST

Öl- / Wasserabscheider 3. Stufe / Oil- / Water Separator 3rd Stage

Best.-Nr. / Order No.	Benennung	Description
000172	Prallscheibe	Mounting plate water separator
000173	Sinterfilter Wasserabscheider	Sintered Filter Water separat.
000174	Drallscheibe, Wasserabscheider	Twist Disk, Water separator
000176	Stiftschraube, Wasserabscheider 2. Stufe	Treaded Stud
000177	Trichter f. Wasserabscheider	Water Deflector
000379	Wasserabscheider - Oberteil G1/2" IG	Top Water Separator 1/2"female
000381	Sicherheitsventil G3/8"	Safety Valve G3/8" 90 bar
000391	U-Sit Ring	Seal Ring U-Sit
000562	Wasserabscheider - Ring	Ring Water Separator, 2nd St.
000564	Öl-/Wasserabscheider - Druckbehälter	Container Water Separ.
000738	Gerade Verschraubung	Straight Connection
000761	Winkelverschraubung	Elbow Connection
000837	Verschlussstopfen	Plug
000838	Verschlussstopfen	Plug
000921	Reduzierung	Reducer
001133	6-kant Schraube	Hexagon Bolt M12x30
001191	U-Scheibe A12	Washer A12
001192	Federring A12	Spring Washer A12
001272	O-Ring	O-Ring Water separator
003077	Entwässerungsventil G1/4" AG, konisch	Drain Valve G1/4" male
006845	Stopfmutter Edelstahl	Lock Nut M6 s/s

DETAILANSICHT / DETAILED VIEW

Öl- / Wasserabscheider 3. Stufe / Oil- / Water Separator 3rd Stage



C



ERSATZTEILLISTE / SPARE PART LIST

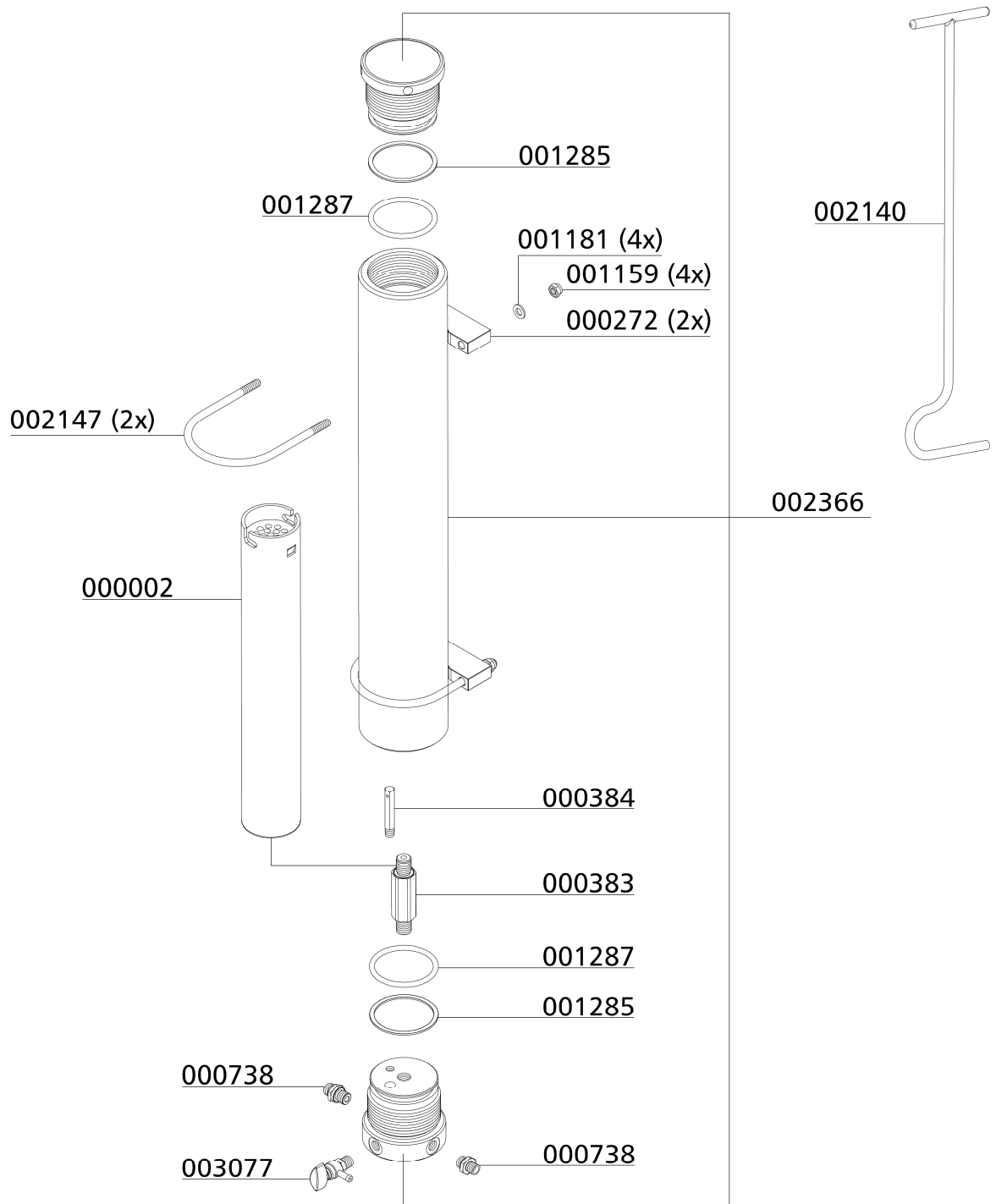
Filtergehäuse 1,7 l / Filter Housing 1.7 ltr

Best.-Nr. / Order No.	Benennung	Description
000002	Filterpatrone 1,7 Liter	Filter Cartridge 1.7 ltr BA
000272	Abstandshalter für Filtergehäuse	Spacer Bracket for Filtertower
000383	Messing Adapter für Filterpatrone	Brass Filter Adapter
000384	Düse für Filtergehäuse	Jet Filter Housing
000738	Gerade Verschraubung	Straight Connection
001159	Stopfmutter	Lock Nut M8
001181	U-Scheibe A8	Washer A8
001285	Stützring, Filtergehäuse	Back-up Ring Filter Housing
001287	O-Ring, Filtergehäuse	O-Ring filter housing
002140	Filterschlüssel 1,7 & 2,3 Liter Behälter	Filter tool 1,7 & 2,3 Litre
002147	Haltebügel für Filtergehäuse (ES)	U-Clamp for filter housing ES
002366	Filtergehäuse, kompl.	Filter housing 1,7 ltr.
003077	Entwässerungsventil G1/4" AG, konisch	Drain Valve G1/4" male

C

DETAILANSICHT / DETAILED VIEW

Filtergehäuse 1,7 l / Filter Housing 1.7 ltr



C



ERSATZTEILLISTE / SPARE PART LIST

Sicherheitsventil / Safety Valve

Best.-Nr. / Order No.	Benennung	Description
000233	Sockel für Sicherheitsventil mit TÜV/CE	Base f. Safety Valve TÜV type
000553	Sicherheitsventil - Bauteilgeprüft	Safety Valve TÜV 225 bar
000554	Sicherheitsventil - Bauteilgeprüft	Safety Valve TÜV 250 bar
000555	Sicherheitsventil - Bauteilgeprüft	Safety Valve TÜV 300 bar
000556	Sicherheitsventil - Bauteilgeprüft	Safety Valve TÜV 330 bar
000557	Sicherheitsventil - Bauteilgeprüft	Safety Valve TÜV 350 bar
000738	Gerade Verschraubung	Straight Connection
000761	Winkerverschraubung	Elbow Connection
001043	Zylinderschraube	Allen Screw
001058	Zylinderschraube	Allen Bolt
001159	Stoppmutter	Lock Nut M8
001181	U-Scheibe A8	Washer A8
001244	O-Ring	O-Ring, flange safety valve
001814	Sicherheitsventil - Bauteilgeprüft	Safety Valve
001815	Sicherheitsventil - Bauteilgeprüft	Safety Valve
001816	Sicherheitsventil - Bauteilgeprüft	Safety Valve
001817	Sicherheitsventil - Bauteilgeprüft	Safety Valve

C

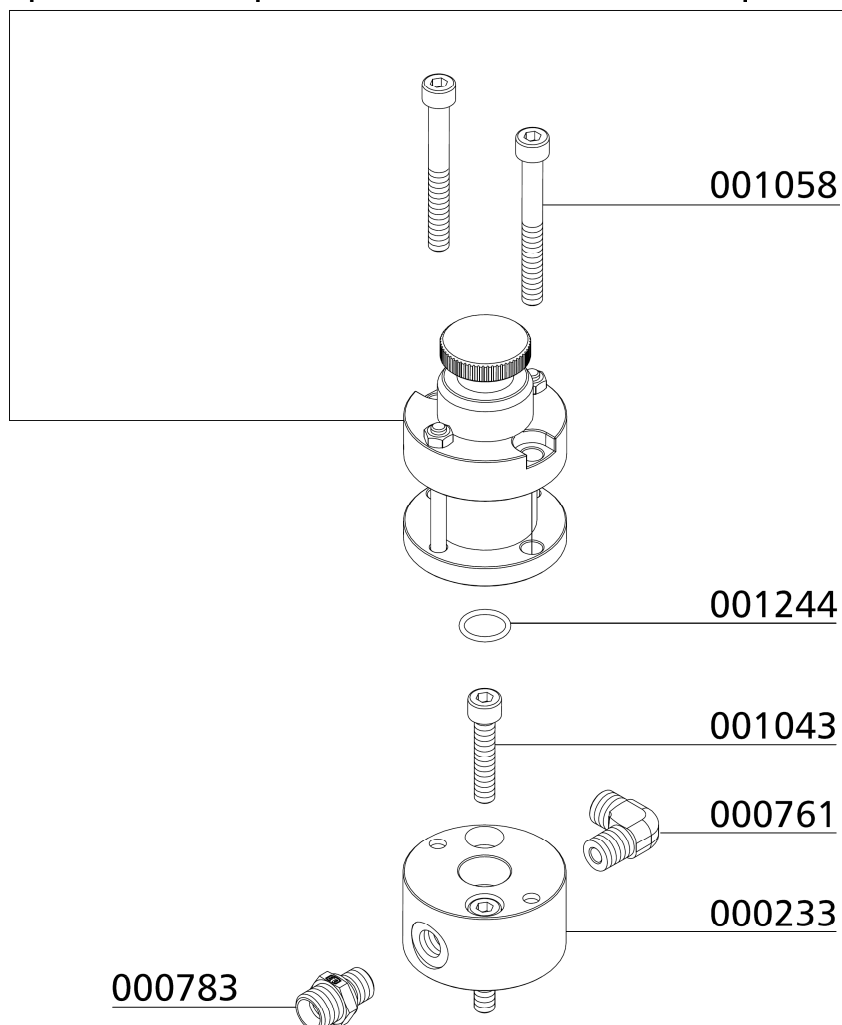
DETAILANSICHT / DETAILED VIEW

Sicherheitsventil / Safety Valve

Druck Pressure	SV-Ventil mit CE-Prüfung Safety Valve with CE	SV-Ventil mit TÜV-Prüfung Safety Valve with TÜV
225 bar	001814	000553
250 bar	001815	000554
285/300 bar	-----	000555
330 bar	001816	000556
350 bar	001817	000557

Sonder-Einstelldrücke auf Anfrage!

Special relieve pressures are available on request!





ERSATZTEILLISTE / SPARE PART LIST

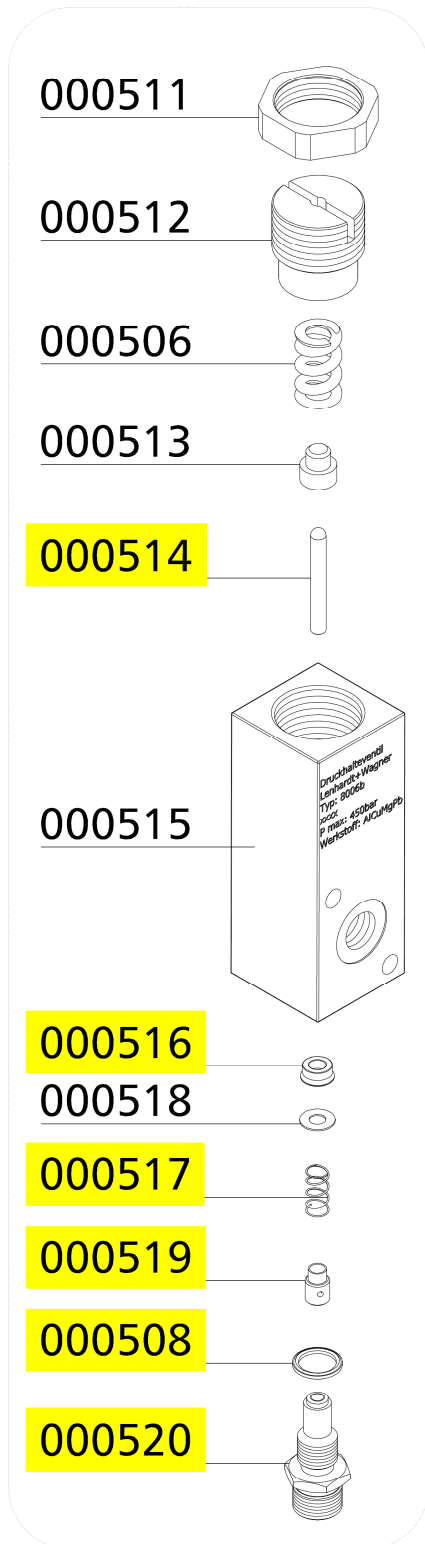
Druckhalte- Rückschlagventil / Pressure Maintaining- Non-Return Valve

Best.-Nr. / Order No.	Benennung	Description
000169	Druckhalterückschlagventil	Pressure Maint. Valve black
000498	U-Scheibe A6	Washer A6
000506	Druckfeder	Spring
000508	USIT Ring	Gasket Ring U-Sit
000511	Mutter, DHRV	Lock Nut PMV
000512	Einstellschraube, DHRV	Set Bolt PMV
000513	Druckstück, DHRV	Spring Adapter PMV,
000514	Stift, DHRV	Stud PMV
000515	Gehäuse, DHRV	Main Body PMV
000516	Nutring, DHRV	Seal Ring PMV
000517	Druckfeder, DHRV	Coil Spring PMV
000518	U-Scheibe	Washer, M5, brass
000519	Dichtkappe, DHRV	Plastic Seal Piston PMV
000520	Eingangsdüse	Inlet Jet PMV (black version)
000783	Verschraubung	Straight Connection
003548	Reparatursatz DHRV	Repair kit, PMV
006278	Zylinderschraube	Allen Bolt

C

DETAILANSICHT / DETAILED VIEW

Druckhalte- Rückschlagventil / Pressure Maintaining- Non-Return Valve



**Reparatursatz
003548:**

Bestehend aus:
Gelbmarkierten
Bestellnummern

**Repair kit
003548:**

Consists of:
Yellow marked
order numbers

000169

000498

006278

000783

C



ERSATZTEILLISTE / SPARE PART LIST

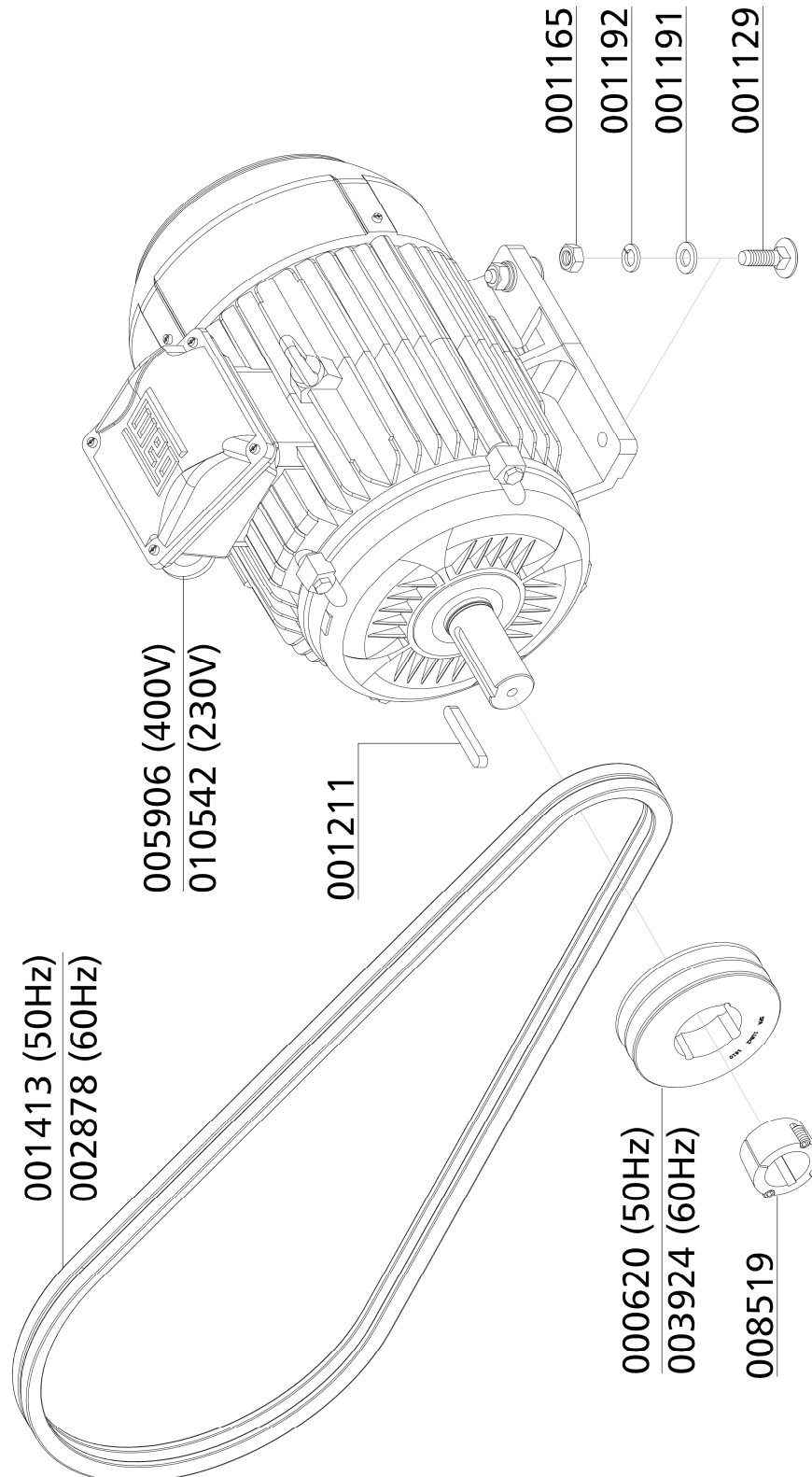
Baugruppe: Motor / Assembly: Engine

Best.-Nr. / Order No.	Benennung	Description
000620	Riemenscheibe	Pulley & Boss Kit
001129	Schlossschraube	Carriage Bolt
001165	Mutter	Nut M12
001191	U-Scheibe A12	Washer A12
001192	Federring A12	Spring Washer A12
001211	Passfeder	Woodruff Key
001413	Keilriemen	V-Belt
002878	Keilriemen	V-Belt
003924	Riemenscheibe	V-belt pulley for motor 7.5 kW
005906	Antriebsmotor 15 kW,400V	Drive Motor
008519	Spannbuchse für Riemenscheibe	Pulley Clamp Bush Ø38 mm
010542	Antriebsmotor 15 kW, 230V	Drive Motor

C

DETAILANSICHT / DETAILED VIEW

Baugruppe: Motor / Assembly: Engine





OPTIONS



Inhaltsverzeichnis

Auto Shut Down.....	1
Auto Start Function.....	6
Additional Filling Hose	13
Additional High Pressure Outlet.....	16
Interstage Pressure Gauge	18
Oil Pressure Gauge	22
Oil Pressure Monitoring	27
Oil Temperature Monitoring	33
Cylinder Head Temperature Monitoring	36
0.8 ltr Prefilter	39
2.3 ltr Final Filter Separator	44
Automatic Condensation Drain - Basic.....	51
Automatic Condensation Drain - Standard	64
200+300bar Parallel Filling Pressure Operation.....	93
Puracon Filter Monitoring	100
Puracon Connection Kit.....	105
Air Cooler Connection Kit.....	108
Block Heating Device.....	114
420bar Version	117
Phase Monitoring.....	121
Special Voltage.....	125
Special Machine Feets	131



AUTO SHUT DOWN

D

AUTO SHUT DOWN

Final pressure switch

The pressure switch shuts off the compressor automatically when the selected final pressure is reached. The final pressure switch is already adjusted to the corresponding cut-out pressure.

The pressure can be adjusted with the upper adjusting screw as follows:

Increasing cut-out pressure:

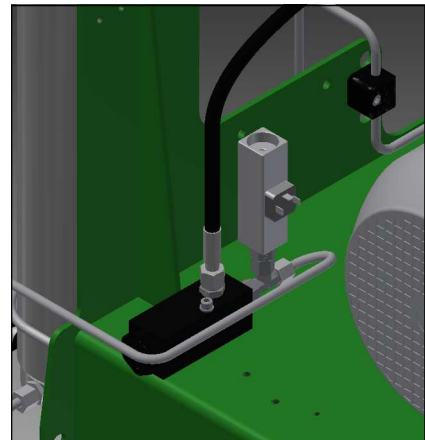
Turn the adjusting screw clockwise

Reducing cut-out pressure:

Turn the adjusting screw anti-clockwise

Adjust the pressure switch in steps of a quarter turn.

Restart the compressor after every adjustment step to verify the actual cut-out pressure.



Final pressure switch

D



Note

Do not adjust the final pressure switch to the safety valve pressure. The final pressure switch has to be adjusted to min. 10 bar below the safety valve pressure. Otherwise, the safety valve can open during operation. This considerably reduces the life of the safety valve.

Example settings:

Safety valve	Max. Operating Pressure
225 bar	215 bar
250 bar	240 bar
330 bar	320 bar

AUTO SHUT DOWN

Safety valve test



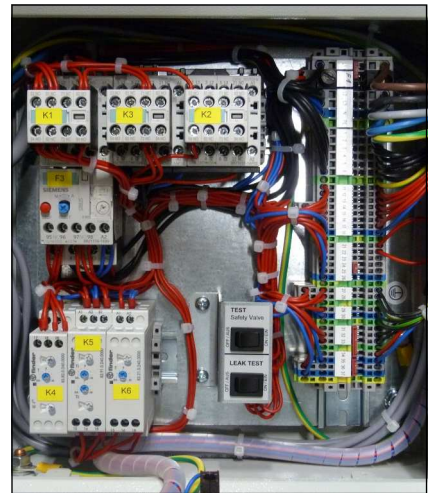
Note

Do not fill any tank during test phase!

Safety valve test as follows:

- Disconnect compressor from the electrical power supply and protect against unexpected restart.
- Open the cover of the switch box.
- Switch on the "Test Safety Valve" switch (pressure switch will be deactivated!).
- Close the cover of the switch box.
- Connect the compressor to the electrical power supply.
- Close filling valves.
- Start the compressor.
- Watch the final pressure gauge. The safety valve should open when reaching working pressure of the compressor. If not, switch off the unit and take out of service until the safety valve has been replaced.
- Switch off the compressor (compressor vented).
- Disconnect the compressor from the electrical power supply and protect against unexpected restart.
- Open the cover of the switch box.
- Switch off the "Test Safety Valve" switch (pressure switch will be activated!).
- Close the cover of the switch box.
- Connect the compressor to the electrical power supply.

The safety valve test is now completed.



Example Image: Switch Box



Safety Valve Test Switch (up)



AUTO SHUT DOWN

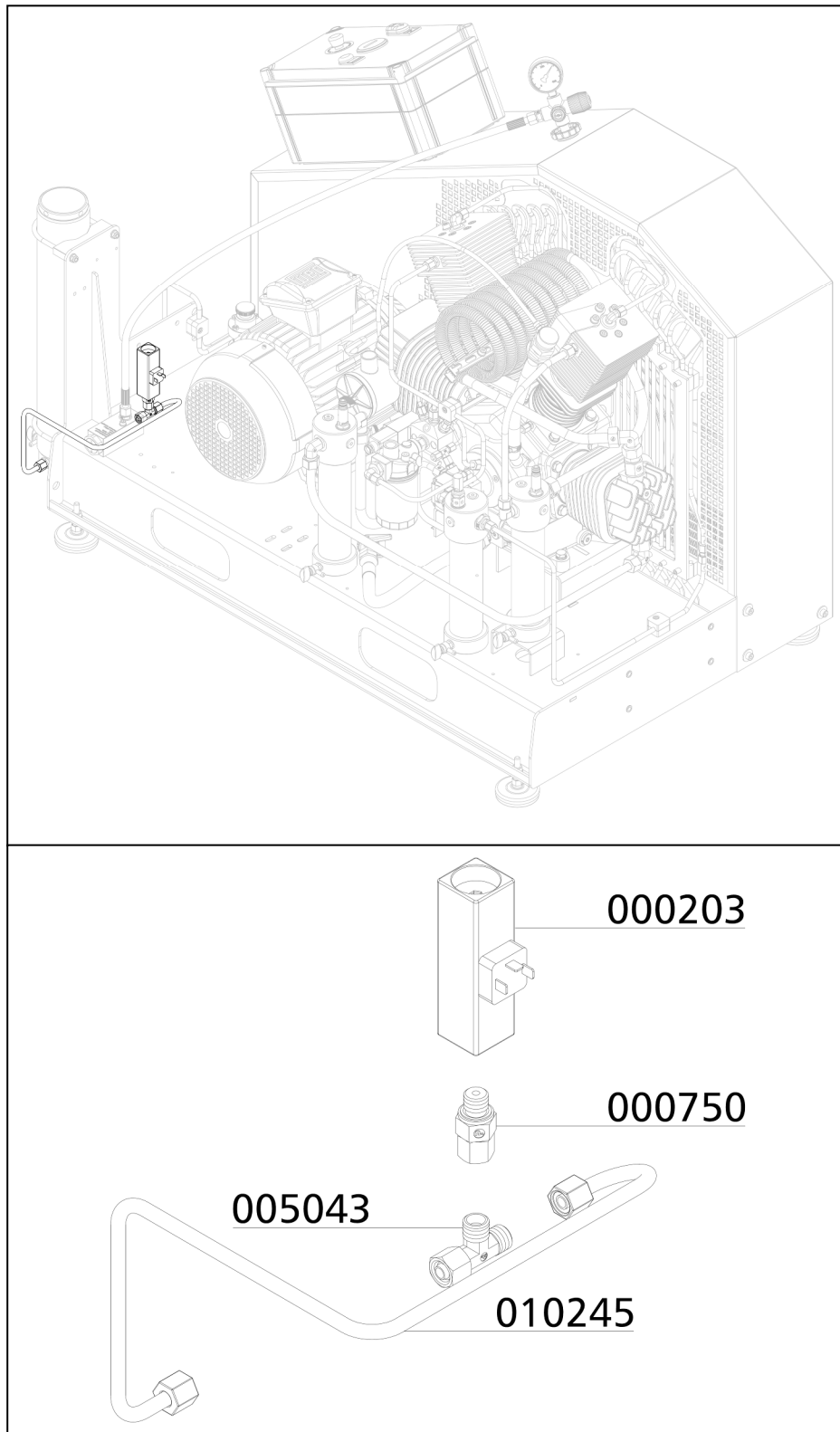
Spare Part Lists

Best.-Nr. / Order No.	Benennung	Description
000203	Druckschalter, G1/4" IG, PV 50 - 350 bar	Pressure Switch 50-350 bar
000750	Verschraubung	Connection with fixed nut
005043	Verschraubung	T-Connection
010245	Rohrleitung Ø8mm, komplett mit M.&S.	Pipe Ø8mm

D

AUTO SHUT DOWN

Spare Part Lists



D



AUTO START FUNCTION

D

AUTO START FUNCTION

Auto Start Function

The auto start function allows operating the compressor optionally in automatic or semi-automatic mode by turning the selector switch.

Semi-Automatic Operation:

Start the compressor by pushing the Start button. The compressor automatically shuts off when final pressure is reached. To restart the compressor, push the Start button again. The unit can be shut down at any time during operation by pushing the Stop button.



Selector switch auto start function

Automatic Operation:

Start the compressor only once by pushing the Start button. The Start button lights up and the unit automatically shuts off when final pressure is reached. If outlet pressure decreases below the selected minimum pressure, the unit automatically restarts.



Note

The compressor can not be started manually during automatic operation.

To enable a manual start, shut off automatic operation by pushing the Stop button (Start button lamp goes out). Now turn selector switch to semi-automatic mode and start the compressor with the Start button.

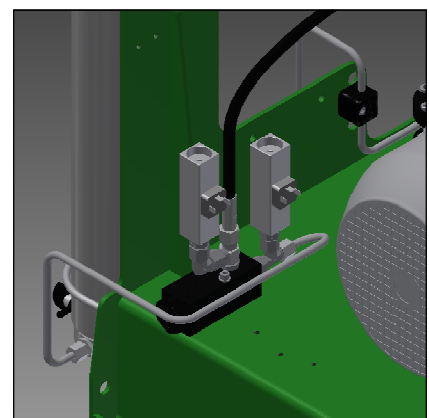
Adjust re-start pressure (minimum filling pressure)

The pressure switch for start pressure is located after the pressure maintaining valve. The pressure can be adjusted with the upper adjusting screw.

Increasing re-start pressure: turn adjusting screw clockwise

Reducing re-start pressure: turn adjusting screw anti-clockwise

Adjust pressure switch in steps of a quarter turn. Check settings after every adjustment step.



Pressure switch for start pressure

AUTO START FUNCTION

Filling Procedure Semi-Automatic Operation



Caution! Only fill cylinders which:

- are marked with the test mark and the test stamp of the expert.
- have been hydro static tested (check last test date).
- are rated for the final pressure.
- are free from humidity.



Note

The unit shuts down when final pressure is reached. Thus, the unit always has to be restarted manually.

1. Turn selector switch to semi-automatic mode.
2. Close all filling valves.
3. Connect closed compressed air cylinders.
4. Open cylinder valves.
5. Start compressor by pushing the ON button.
6. If the filling pressure increases, open the filling valves slowly.
7. Fill compressed air cylinders to the desired pressure, subsequently close filling valves slowly.
8. Close and vent all filling valves.
9. Disconnect all compressed air cylinders from filling valves.

AUTO START FUNCTION

Filling Procedure Automatic Operation



Caution! Only fill cylinders which:

- are marked with the test mark and the test stamp of the expert.
- have been hydro static tested (check last test date).
- are rated for the final pressure.
- are free from humidity.



Note

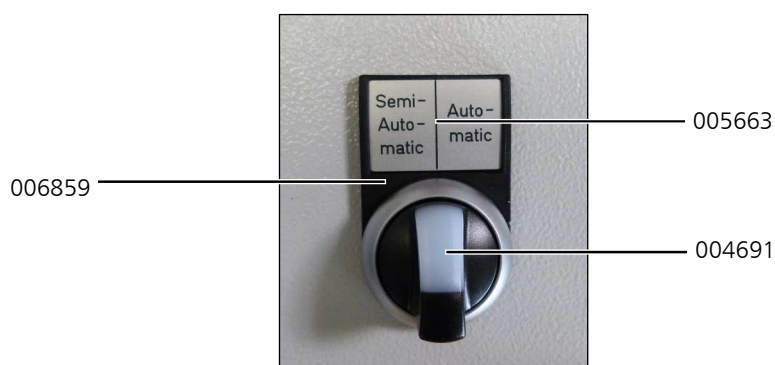
The unit shuts down when final pressure is reached. Thus, the unit always has to be restarted manually.

1. Turn selector switch to automatic mode.
2. Close all filling valves.
3. Connect closed compressed air cylinders.
4. Open cylinder valves.
5. Start compressor by pushing the ON button.
6. If the filling pressure increases, open the filling valves slowly.
7. Fill compressed air cylinders to the desired pressure, subsequently close filling valves slowly.
8. Close and vent all filling valves.
9. Disconnect all compressed air cylinders from filling valves.
10. If automatic operation is interrupted by:
 - pushing the OFF button
 - turning the selector switch
 - tripping the emergency shut-off switch
 - opening of the doors or the coverthe unit has to be restarted.

AUTO START FUNCTION

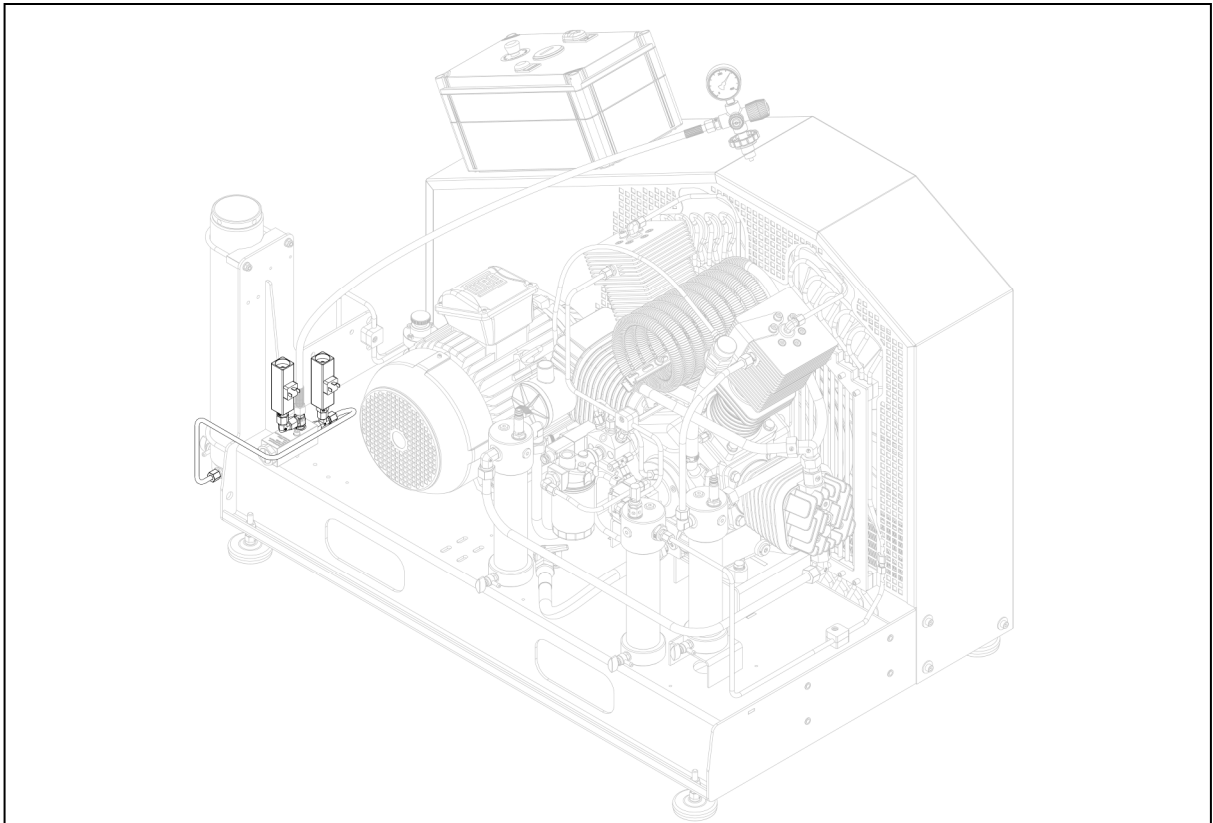
Spare Part Lists

Best.-Nr. / Order No.	Benennung	Description
000203	Druckschalter, G1/4" IG, PV 50 - 350 bar	Pressure Switch 50-350 bar
000750	Verschraubung	Connection with fixed nut
000799	Verschraubung	Connection with fixed nut
004691	Schließer-Kontakt, Front	Closing contact (front)
005043	Verschraubung	T-Connection
005663	Einlegeschild	Insert Label
006859	Klemmrahmen (Schildträger)	Label holder
007558	Verschraubung	Connection
009827	Verschraubung	T-Connection
010142	Verschraubung	T-Connection with 1/4" radial
010245	Rohrleitung Ø8mm, komplett mit M.&S.	Pipe Ø8mm

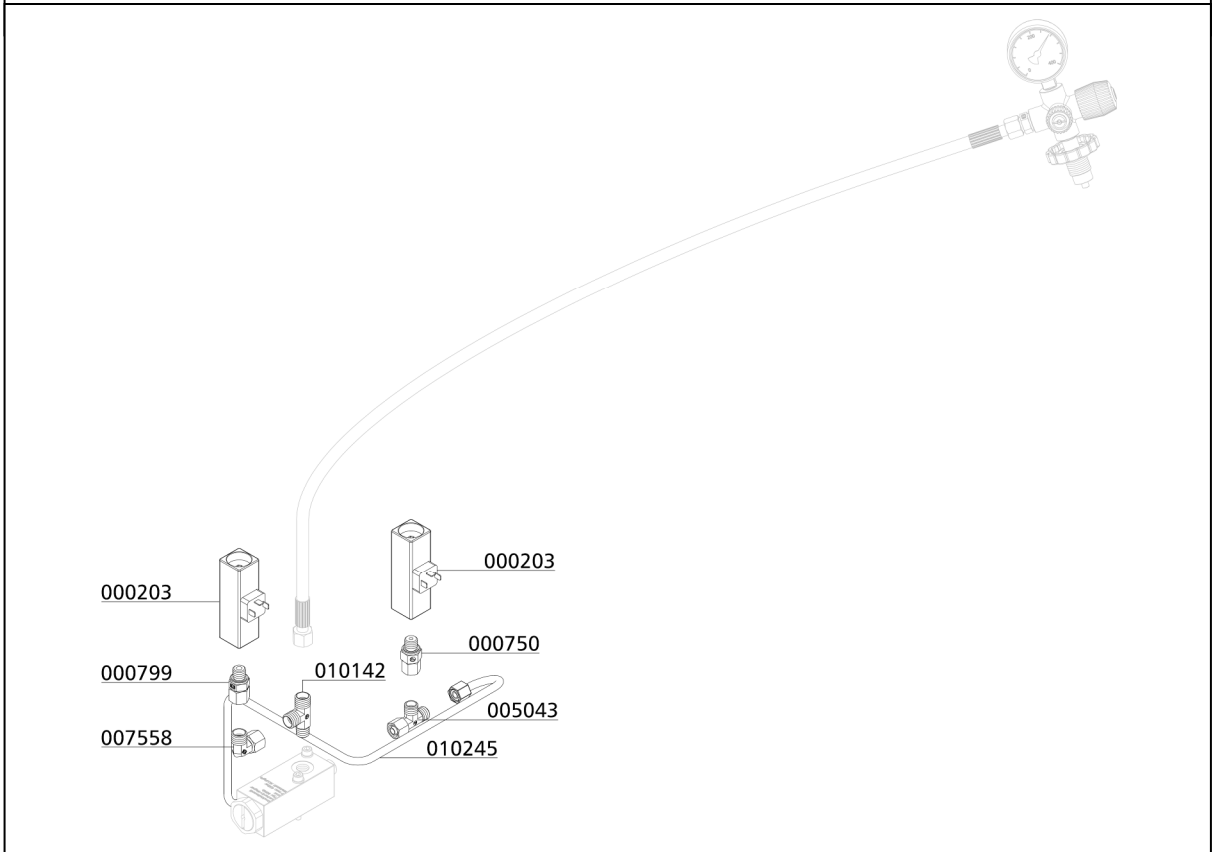


AUTO START FUNCTION

Option: Auto-Start

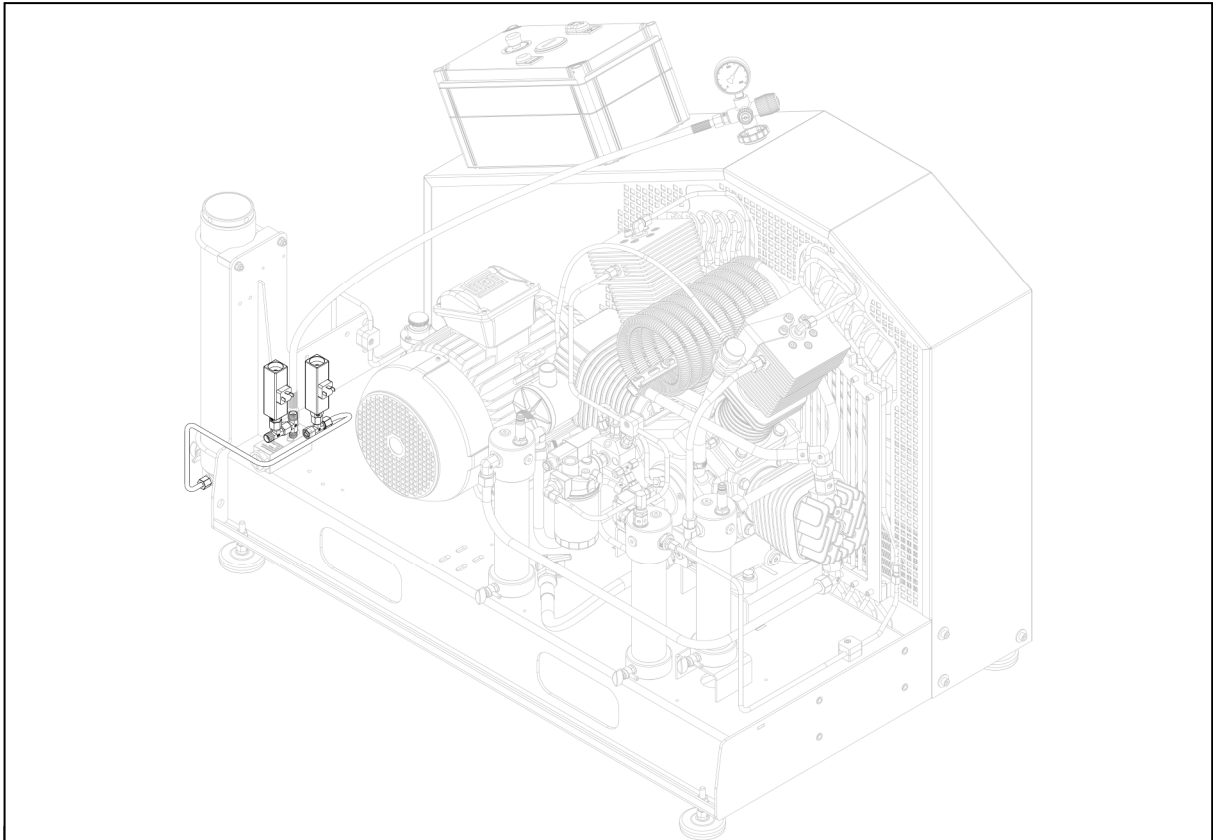


D

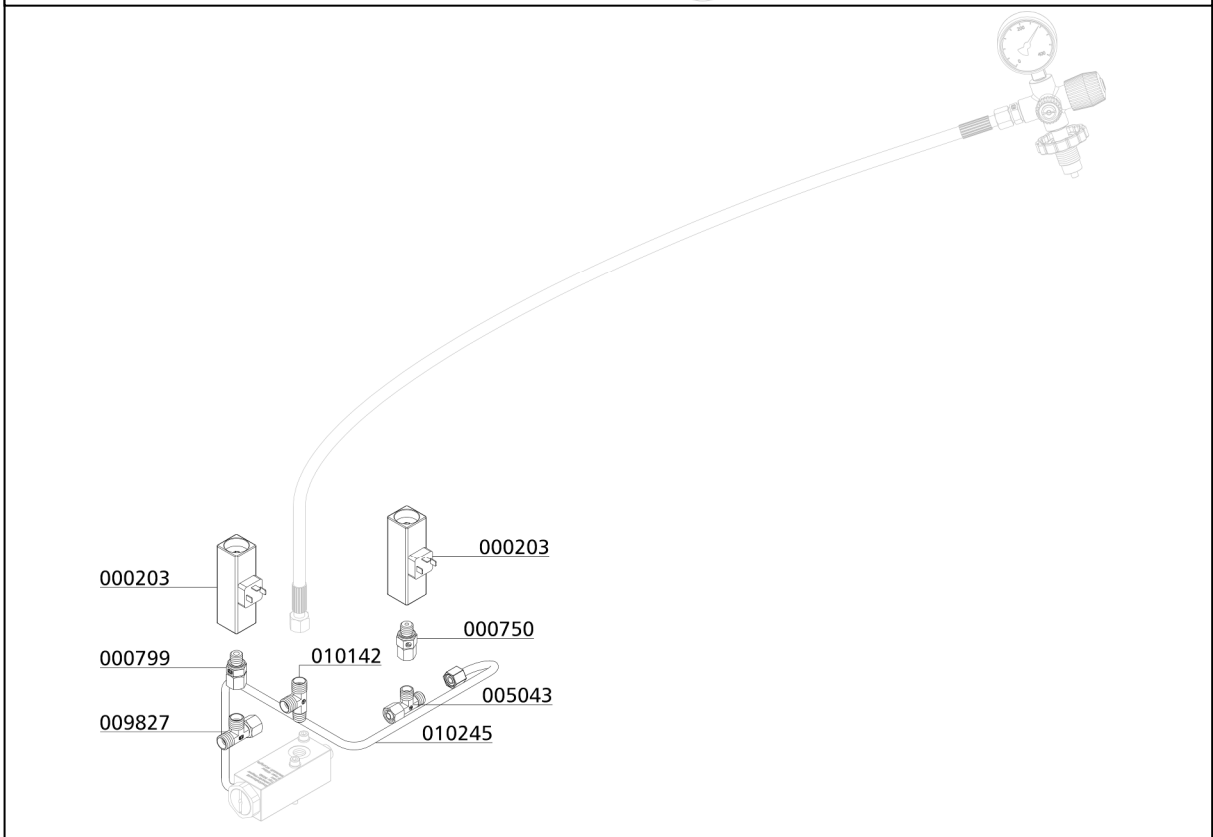


AUTO START FUNCTION

Option: Auto-Start and High Pressure Outlet



D





ADDITIONAL FILLING HOSE

C



ADDITIONAL FILLING HOSE

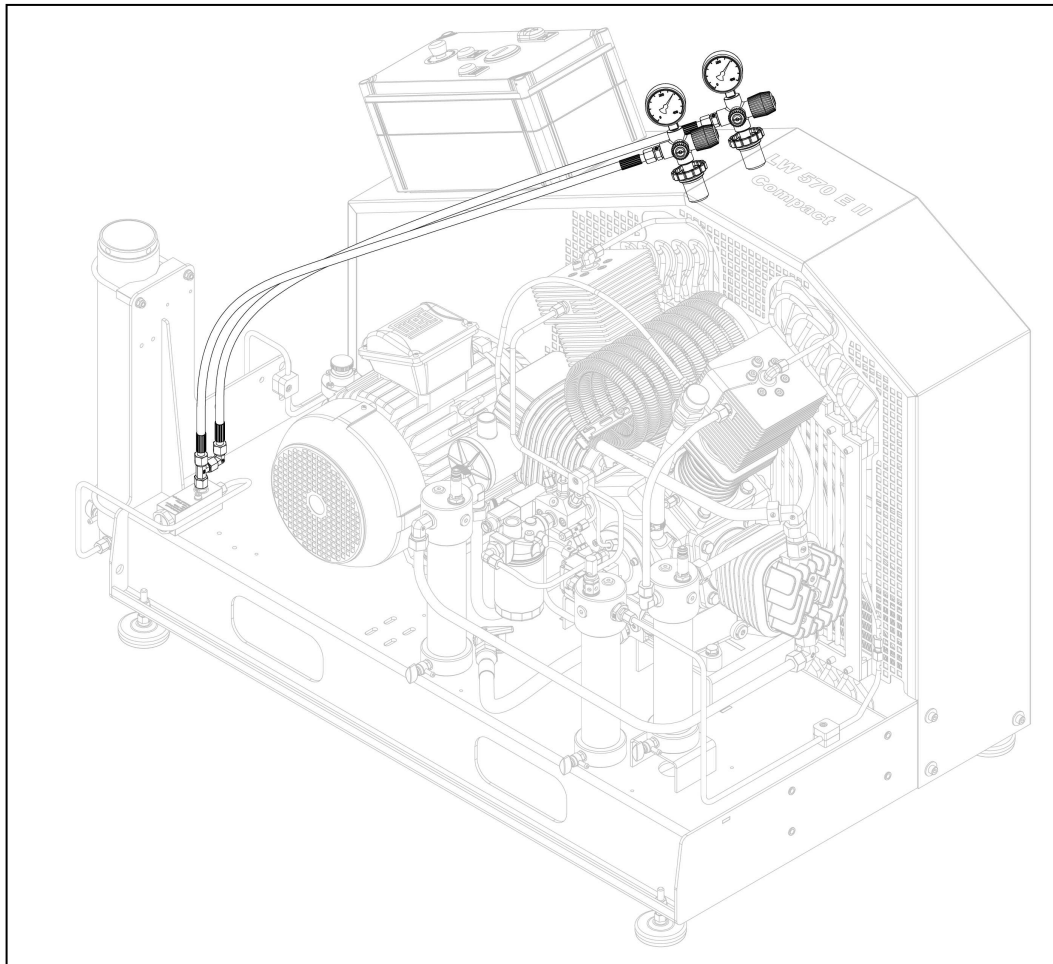
The additional hose with filling valve allows to fill two bottles simultaneously. The hose with filling valve is available in 200 and 300 bar version.

Please refer to Chapter A for all information about the filling process.

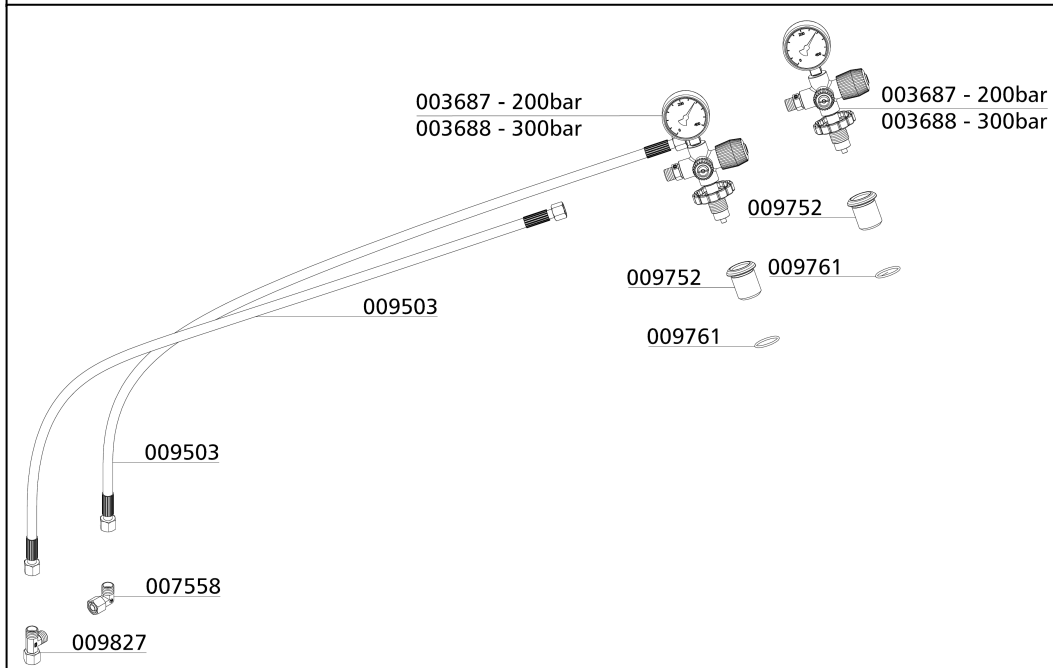
Best.-Nr. / Order No.	Benennung	Description
003687	Füllventil Kreuzbauweise 100-450 Compact	Filling Valve cross(c/w gauge)
003688	Füllventil Kreuzbauweise 100-450 Compact	Filling Valve cross(c/w gauge)
007558	Verschraubung	Connection
009503	Hochdruckschlauch	HP-Hose 1500 mm
009752	Steckhalter Kreuzventil	Holder Filling Valve cross
009761	O-Ring	O-Ring
009827	Verschraubung	T-Connection

C

ADDITIONAL FILLING HOSE



C





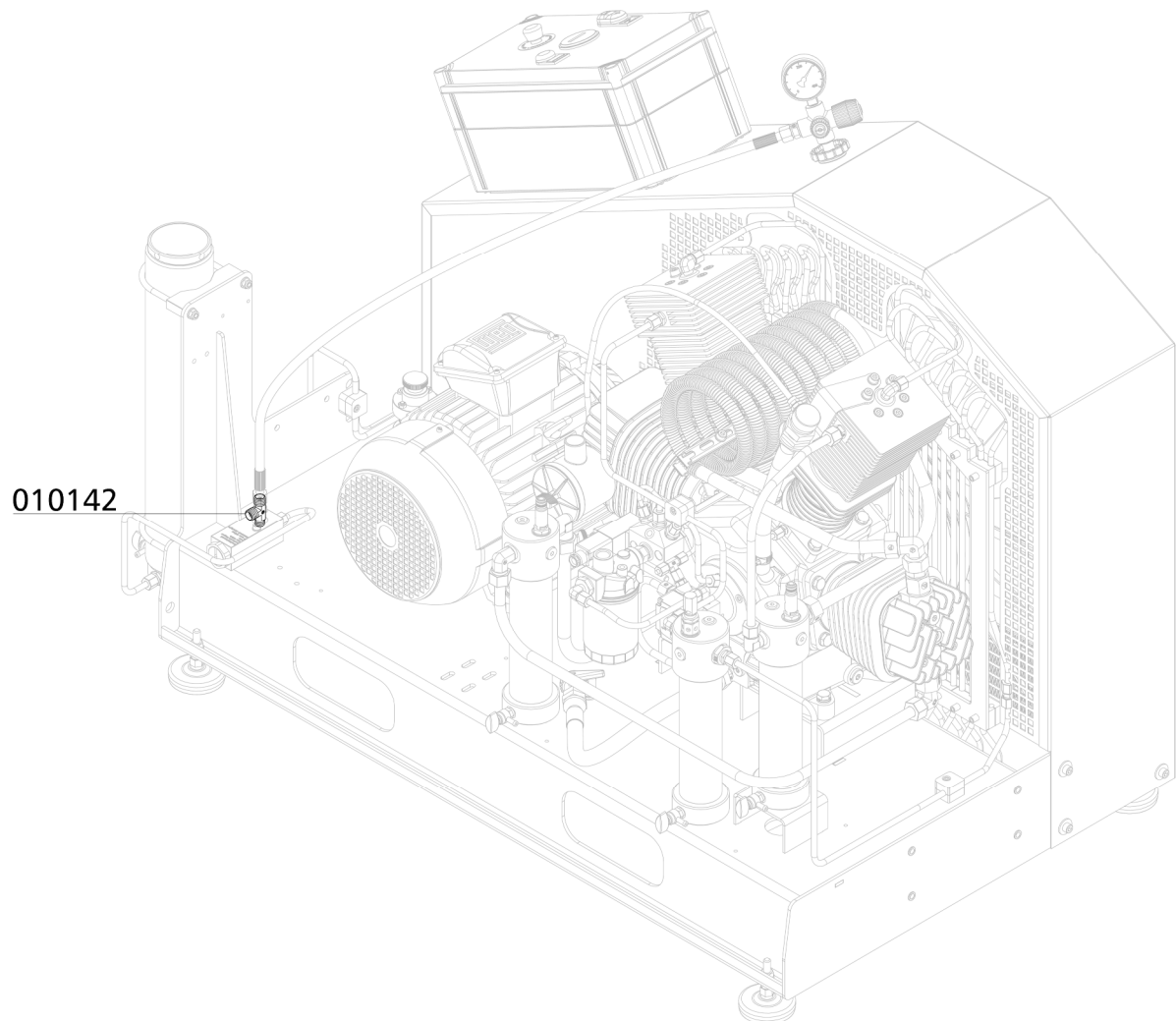
ADDITIONAL HIGH PRESSURE OUTLET

C

ADDITIONAL HIGH PRESSURE OUTLET

Spare Part List

Best.-Nr. / Order No.	Benennung	Description
010142	Verschraubung T-Stück mit 1/4" seitlich	T-Connection with 1/4" radial



C



INTERSTAGE PRESSURE GAUGE

D



INTERSTAGE PRESSURE GAUGE

Interstage Pressure Gauge

Each of the 4 pressure stages is monitored by it's own pressure gauge. This is helpful for troubleshooting and allows detecting faults at an early stage.

Indicated interstage pressure depends on actual final pressure.

The pressure gauges should show the following values at a final pressure of 200 bar:

1st stage: approx. 3.6 bar

2nd stage: approx. 15 bar

3rd stage: approx. 59 bar

The pressure gauges should show the following values at a final pressure of 300 bar:

1st stage: approx. 3.7 bar

2nd stage: approx. 16 bar

3rd stage: approx. 66 bar

D



INTERSTAGE PRESSURE GAUGE

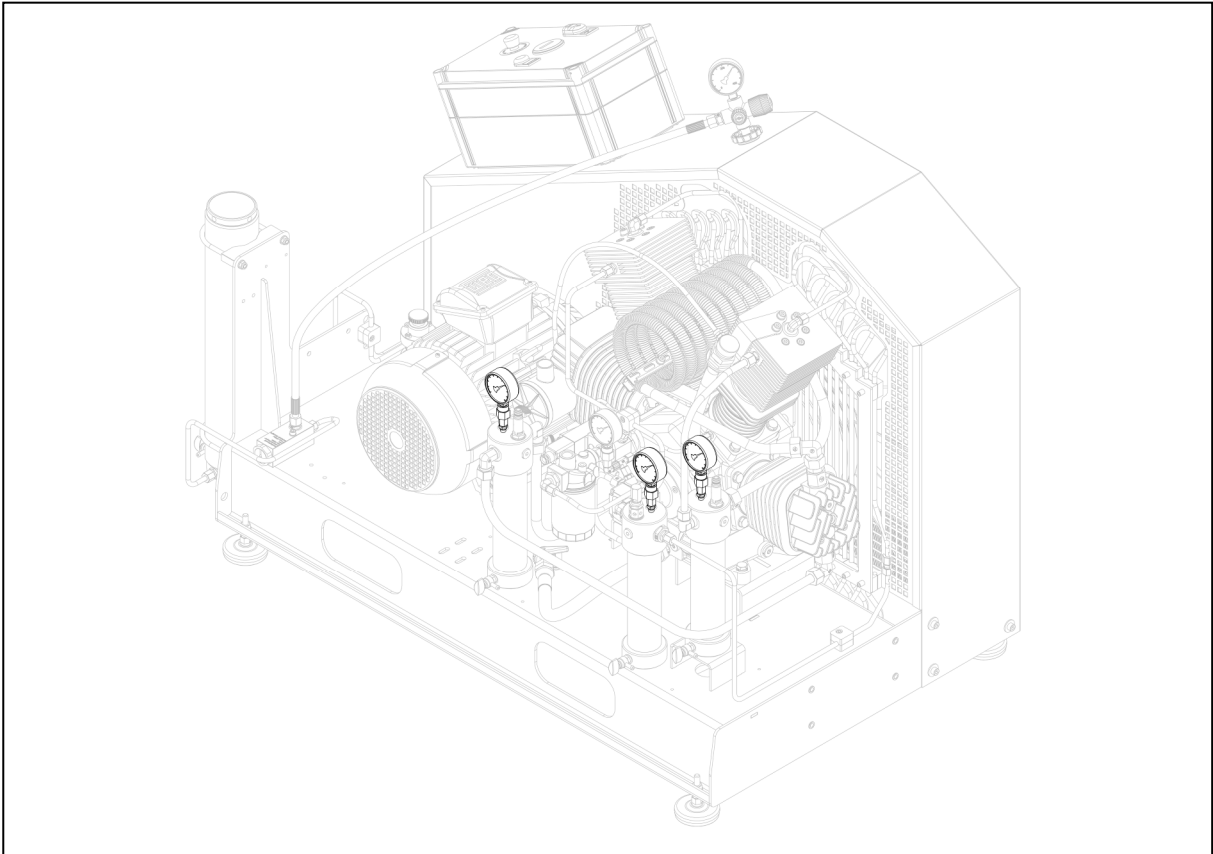
Spare Part Lists

Best.-Nr. / Order No.	Benennung	Description
000645	Manometer, glyzeringefüllt	Pressure Gauge, glycerine
000648	Manometer, glyzeringefüllt Edelstahl	Press.Gauge,glycer.stain.steel
000649	Manometer, glyzeringefüllt Edelstahl	Press.Gauge,glycer.stain.steel
000710	Verschraubung	Connection w/o nut& olive seal
000769	Verschraubung	Connection Pressure Gauge
000777	Dichtring für Manometerverschraubung	Seal Ring for Pressure Gauge










D

INTERSTAGE PRESSURE GAUGE

Spare Part Lists



D

000645			
000777			
000769			
000710			
		000649	
		000777	
		000769	
		000710	
			
			000648
			000777
			000769
			000710



OIL PRESSURE GAUGE

D

OIL PRESSURE GAUGE

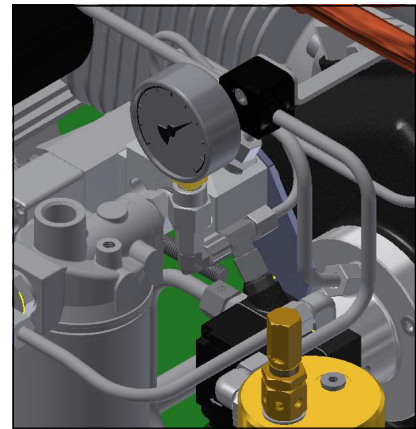
Oil Pressure Gauge

The oil pressure gauge shows the compressor oil pressure during operation. Oil pressure gauge at operating temperature should display between:

- min. + 1,9 bar
- max. + 2,1 bar

If oil pressure value stays below the minimum value:

- Wrong compressor rotation direction (see rotation direction arrow)
- Oil level too low
- Oil pump sieve contaminated
- Oil intake pipe damaged / defective
- Oil temperature below +5 °C - lubrication not possible
- Oil temperature higher than +120 °C - oil viscosity too low
- Oil pump defective



Oil Pressure Gauge

D

If oil pressure value stays above the maximum value:

- Low oil temperature, between +5 °C and +10 °C (Should stay within the range of tolerance when operation temperature is reached)

Oil pressure control

If oil pressure remains outside the range of tolerance, it can be adjusted at the oil pump.

Increasing oil pressure

- Turn adjusting screw clockwise

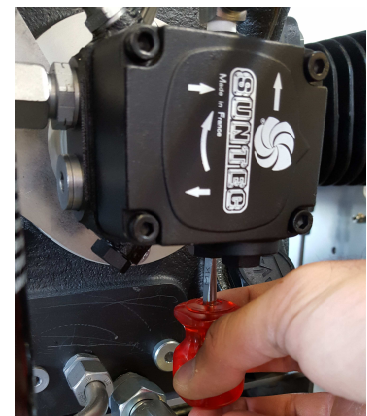
Reduce oil pressure

- Turn adjusting screw anti-clockwise



Warning

Only adjust the oil pressure at operating temperature!



Adjusting the oil pressure



OIL PRESSURE GAUGE

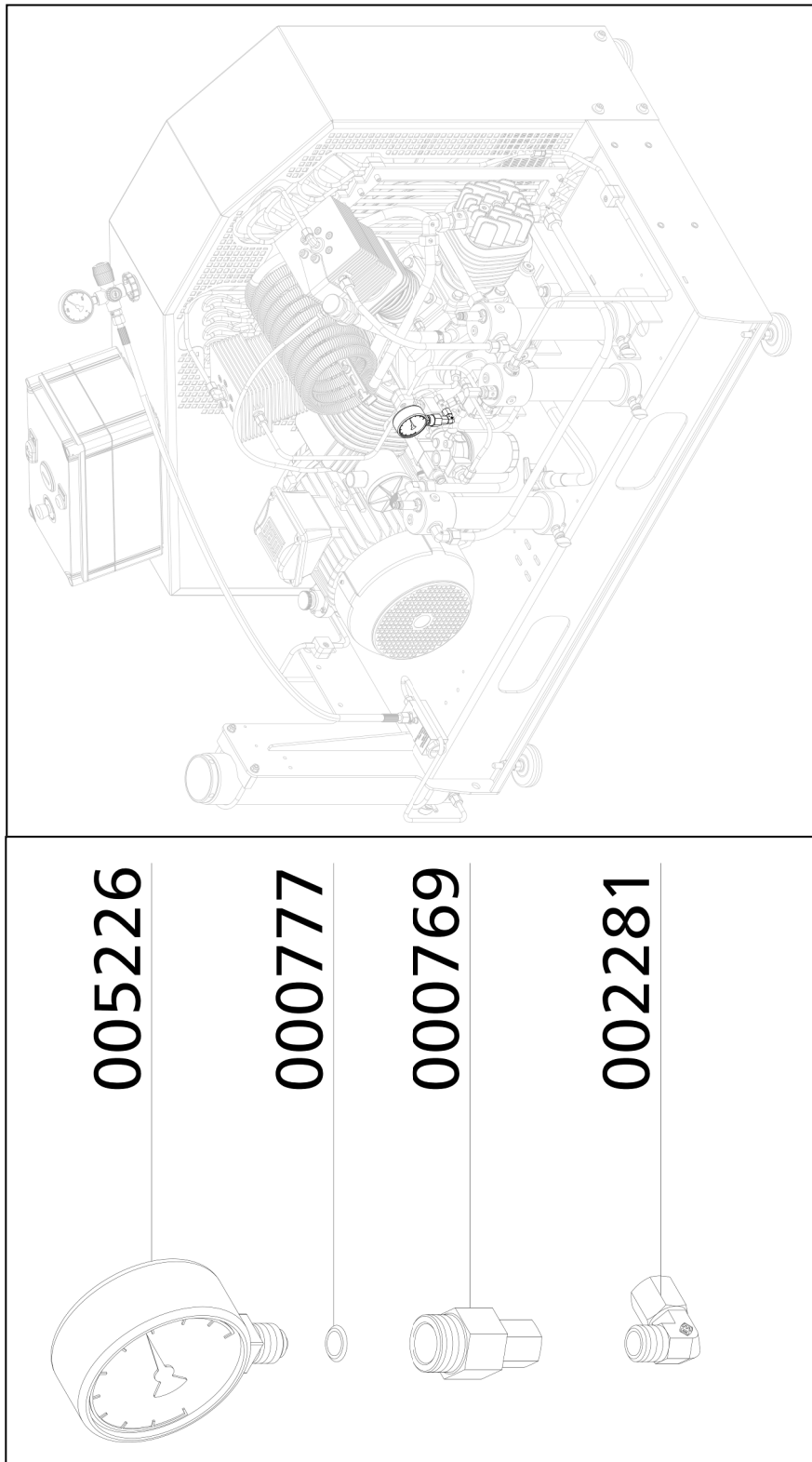
Spare Part Lists

Best.-Nr. / Order No.	Benennung	Description
000645	Manometer, glyzeringefüllt	Pressure Gauge, glycerine
000648	Manometer, glyzeringefüllt Edelstahl	Press.Gauge,glycer.stain.steel
000649	Manometer, glyzeringefüllt Edelstahl	Press.Gauge,glycer.stain.steel
000710	Verschraubung	Connection w/o nut& olive seal
000769	Verschraubung	Connection Pressure Gauge
000777	Dichtring für Manometerverschraubung	Seal Ring for Pressure Gauge
002281	Verschraubung	Connection with fixed nut
005226	Manometer 0-6 bar Ø63mm	Pressure Gauge 0-6 bar Ø63mm

D

OIL PRESSURE GAUGE

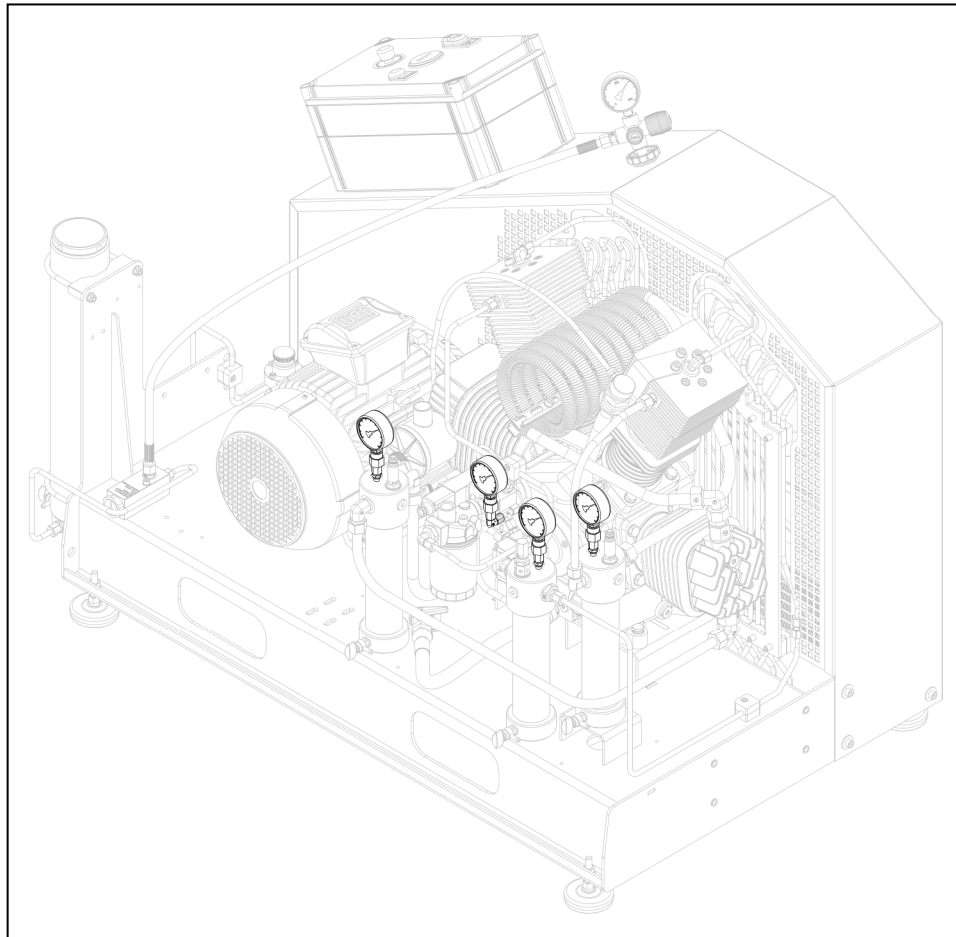
Option: Oil Pressure Gauge



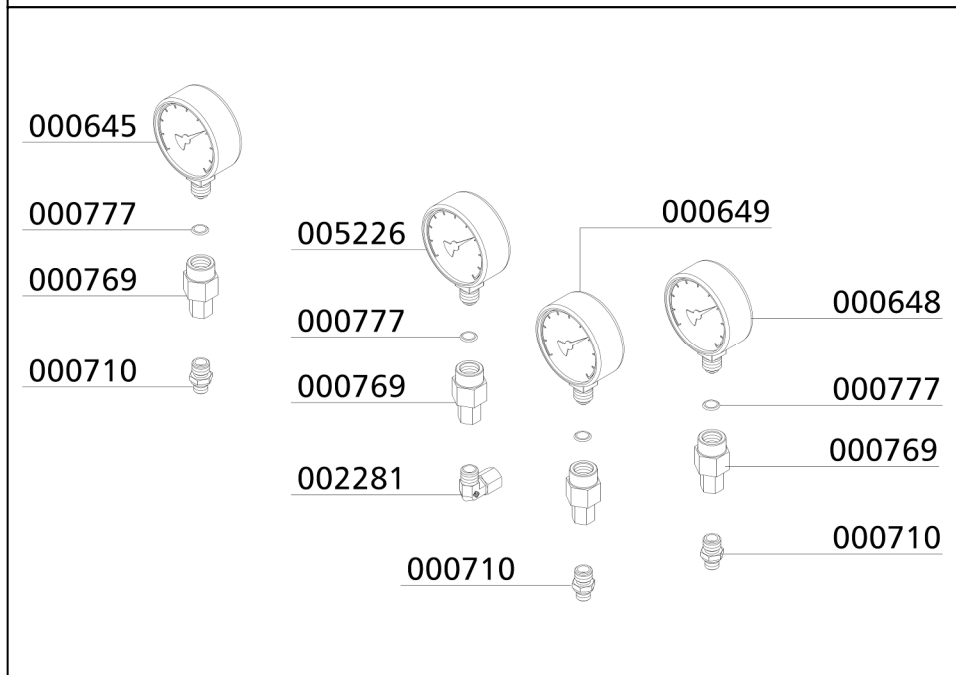
D

OIL PRESSURE GAUGE

Option: Oil Pressure Gauge and Interstage Pressure Gauge



D





OIL PRESSURE MONITORING

D

OIL PRESSURE MONITORING

Oil pressure monitoring

The oil pressure is maintained by a pressure switch during operation. The compressor automatically shuts off when oil pressure decreases below the minimum pressure of +0.5 bar. The red warning lamp "Oil Pressure Monitoring" lights up.

Possible causes of fault:

- Wrong compressor rotation direction
(see rotation direction arrow)
- Oil level too low
- Oil pump sieve contaminated
- Oil intake pipe damaged / defective
- Oil temperature below +5 °C - lubrication not possible
- Oil temperature higher than +120 °C - oil viscosity too low
- Oil pump defective

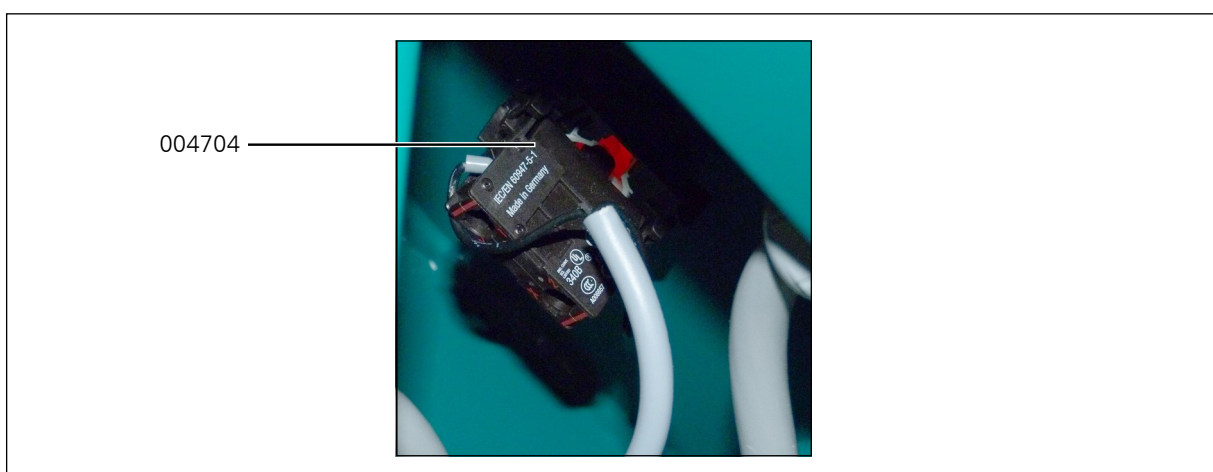


Oil Pressure Monitoring

OIL PRESSURE MONITORING

Spare Part List

Best.-Nr. / Order No.	Benennung	Description
004701	Warnlampe	Warning Lamp
004703	Schild	Label
004704	Relais für Warnlampe	Relais for warning lamp
006859	Schildträger	Label holder





OIL PRESSURE MONITORING

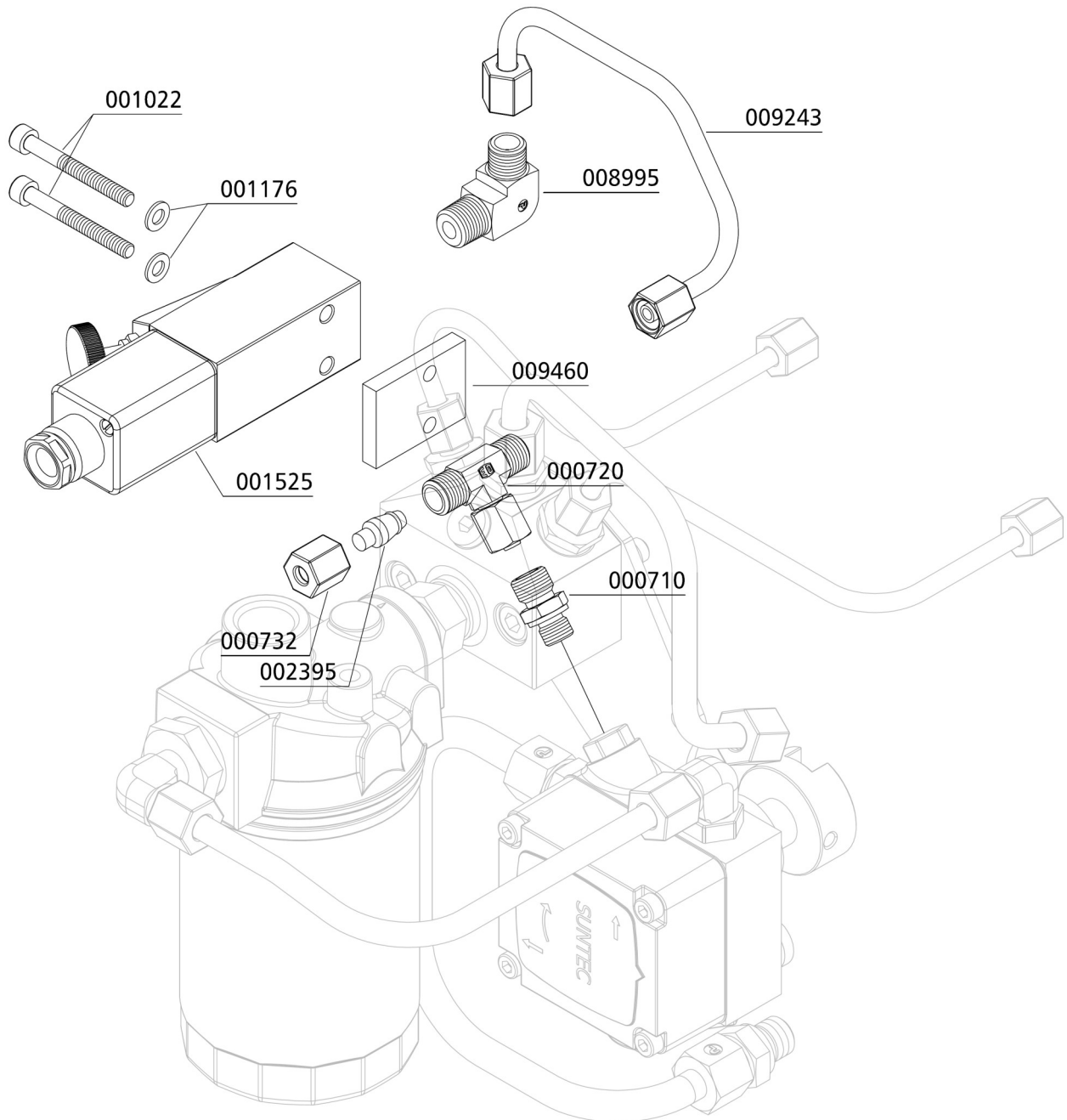
Spare Part List

Best.-Nr. / Order No.	Benennung	Description
000710	Verschraubung	Connection w/o nut& olive seal
000720	Verschraubung	Connection with fixed nut
000732	Mutter	Union Nut 06L
000769	Verschraubung mit fester Mutter	Connection Pressure Gauge
000777	Dichtring für Manometerverschraubung	Seal Ring for Pressure Gauge
001022	Zylinderschraube	Allen Bolt
001176	U-Scheibe A5	Washer A5
001525	Druckschalter inkl. Stecker	Oil Pressure Switch 0.5-5 bar
002281	Verschraubung mit fester Mutter	Connection with fixed nut
002395	Verschlusskegel 06mm	Locking cone 06mm
005226	Manometer 0-6 bar Ø63mm	Pressure Gauge 0-6 bar Ø63mm
008995	Winkelverschraubung	Elbow Connection
009243	Öldruckleitung 6mm	Oil Suction Pipe
009460	Abstandhalter	Spacer

D

OIL PRESSURE MONITORING

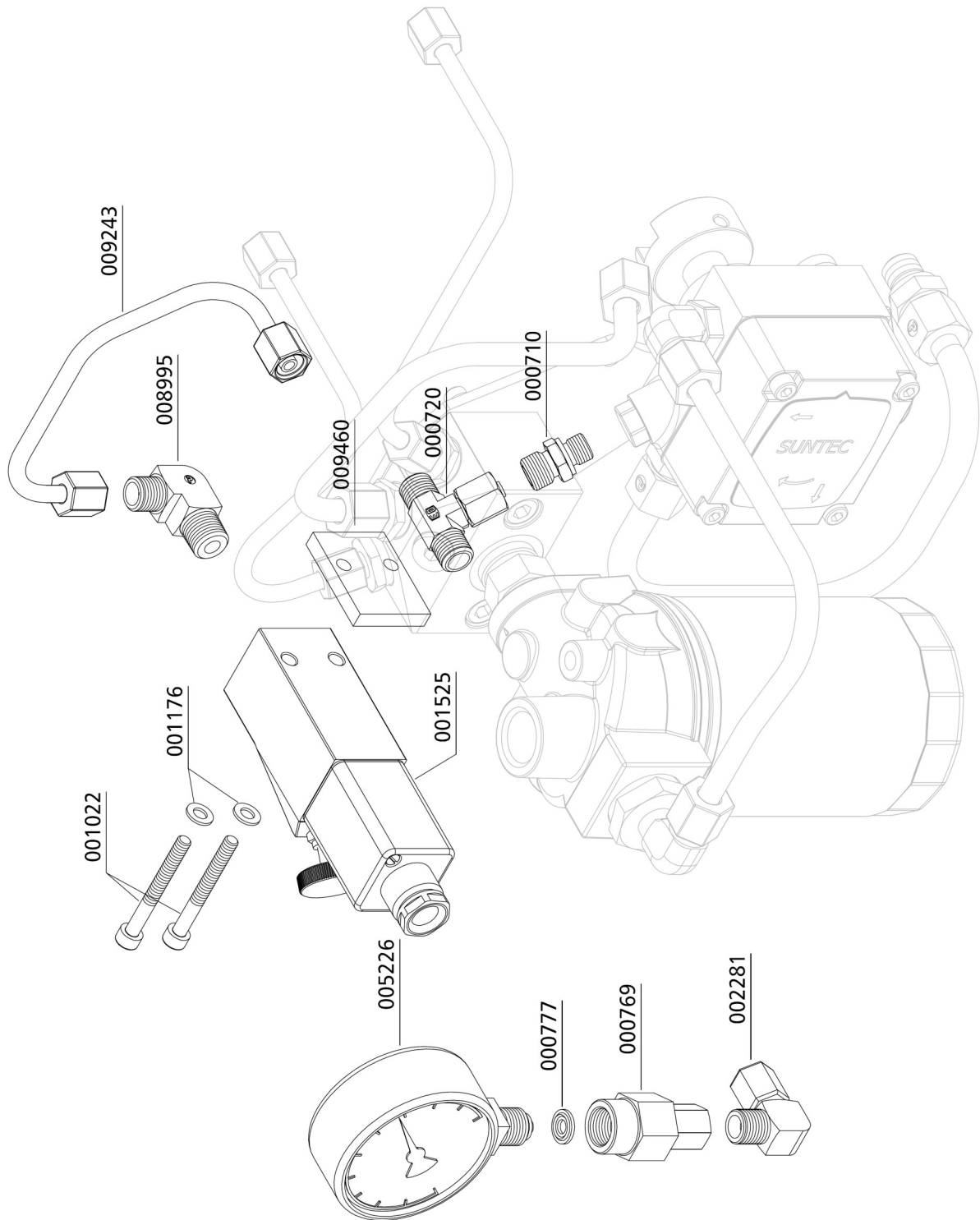
Option: Oil Pressure Monitoring



D

OIL PRESSURE MONITORING

Option: Oil Pressure Monitoring and Oil Pressure Gauge



D



OIL TEMPERATURE MONITORING

D

OIL TEMPERATURE MONITORING

Oil Temperature Monitoring

Oil temperature monitoring

The oil temperature is maintained by a temperature sensor inside the compressor block during operation.

The compressor automatically shuts off when oil temperature exceeds the maximum pressure of +100 °C. The red warning lamp "Oil Temperature Monitoring" lights up.

Possible causes of fault:

- Ambient temperature too high
- Cooling air flow not sufficient
- Oil level too low
- Cooling pipes contaminated



Oil Pressure Monitoring

D



Warning

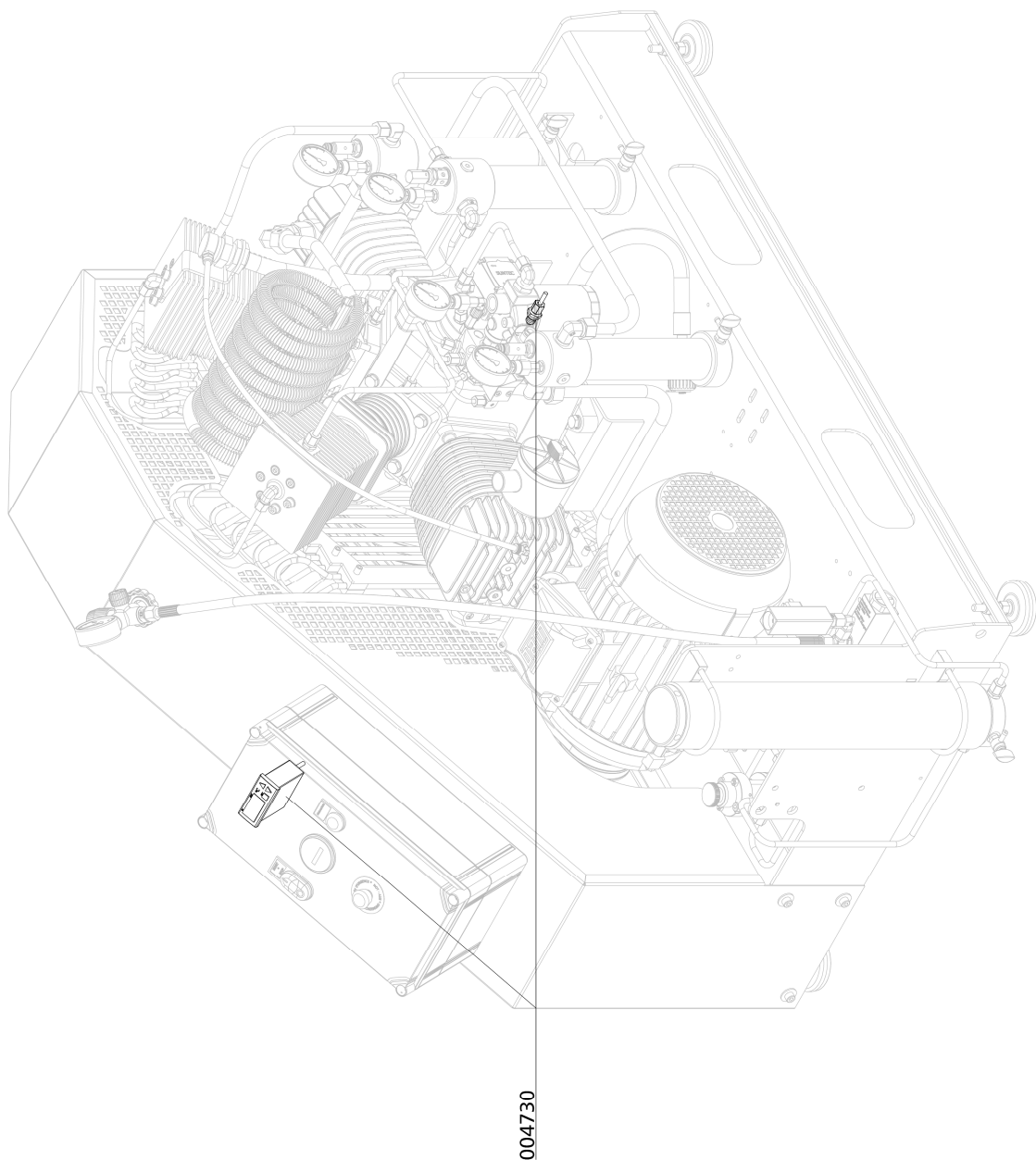
Risk of burns!

Allow the unit to cool before beginning troubleshooting.

OIL TEMPERATURE MONITORING

Spare Part Lists

Best.-Nr. / Order No.	Benennung	Description
004342	Display	Display
004730	Display und Sensor	Display and Sensor



D



CYLINDER HEAD TEMPERATURE MONITORING

D

CYLINDER HEAD TEMPERATURE MONITORING

Cylinder Head Temperature Monitoring

The cylinder head temperature is maintained by a temperature sensor at the cylinder head of the high pressure stage during operation. The compressor shuts off automatically when cylinder head temperature exceeds the maximum pressure of +140° C. The red warning lamp "Cylinder Head Temperature Monitoring" lights up.



Possible causes of fault:

- Ventilation of the compressor room is not sufficient
- Cooling air flow not sufficient
- Cooling pipes contaminated



Warning

Risk of burns!

Allow the unit to cool before beginning troubleshooting.

D

CYLINDER HEAD TEMPERATURE MONITORING

Spare Part Lists

Best.-Nr. / Order No.	Benennung	Description
004726	Display	Display
005585	Sensor	Sensor



D



0.8 LTR PREFILTER

D

0.8 LTR PREFILTER

Pre-Filter 0.8 ltr

In the particle filter particles are filtered out up to a size of 10 μm .

The pre-filter is separating water before the air enters final filter housing which is extending the lifetime of the filter cartridge.



Caution

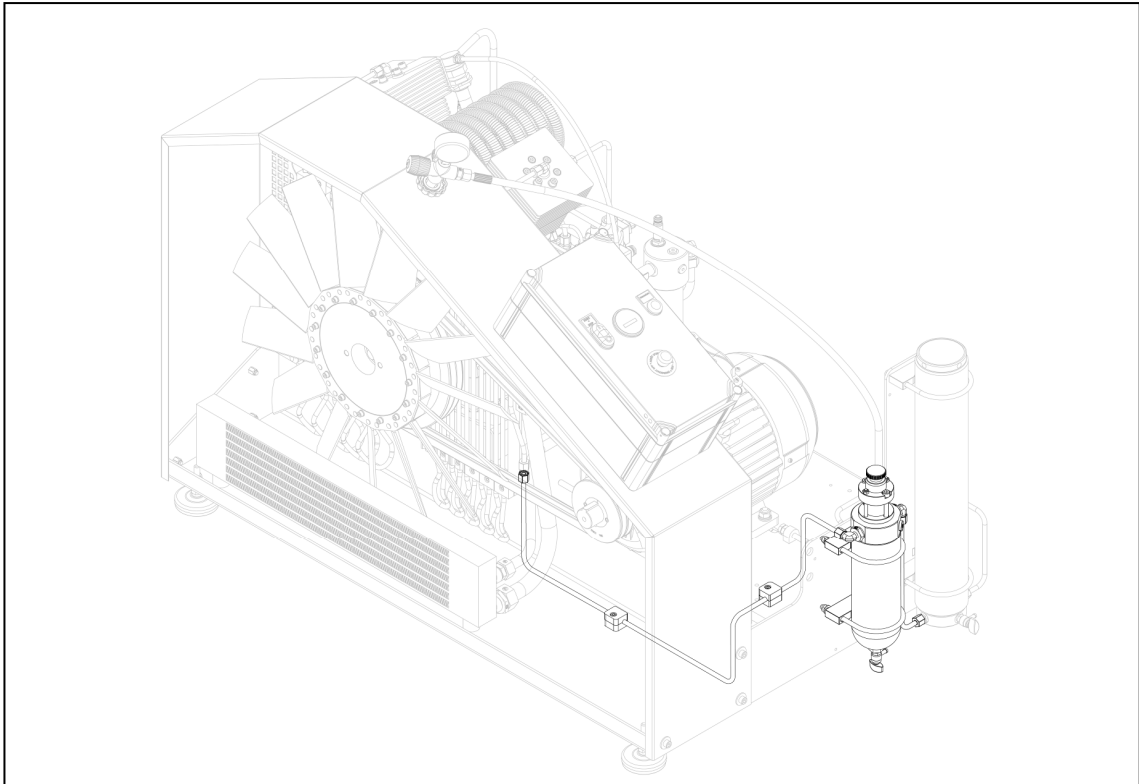
If an air cooler is used, make sure the safety valve is positioned in front of the Air Cooler.

Spare Part Lists

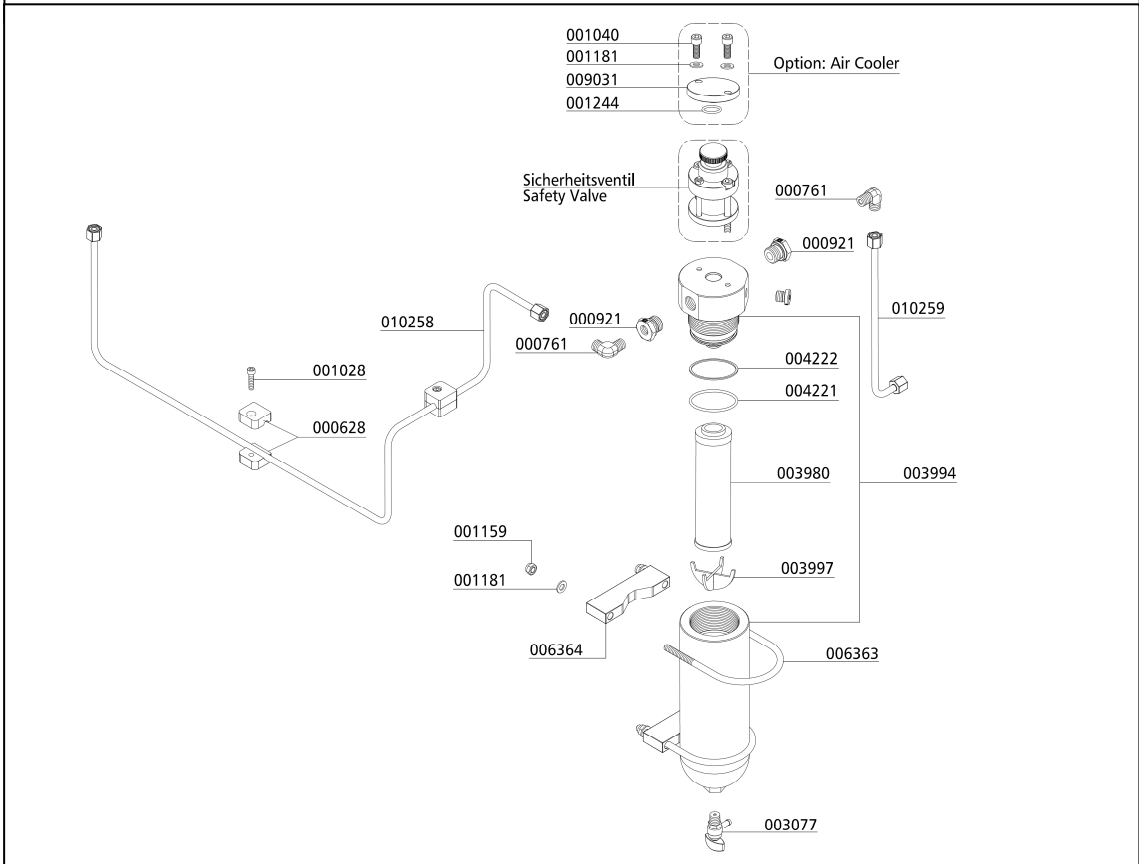
Best.-Nr. / Order No.	Benennung	Description
000628	Einfachschelle 1 x 8mm 1 Paar	Pipe Clamp 1x8mm 1pair PVC
000760	Verschraubung	Elbow Connection
000761	Winkelverschraubung	Elbow Connection
000838	Verschlussstopfen	Plug
000921	Reduzierung	Reducer
001028	Zylinderschraube	Allen Bolt
001040	Zylinderschraube	Allen Screw
001159	Stopfmutter M8	Lock Nut M8
001181	U-Scheibe A8	Washer A8
001244	O-Ring	O-Ring, flange safety valve
003077	Entwässerungsventil G1/4" AG, konisch	Drain Valve G1/4" male
003980	Filterelement	Filter water separator 0.8 Ltr
003994	Filterbehälter 350 bar, V: 0,8 ltr	Filter Unit 0.8 ltr / 350 bar
003997	Filterstütze Partikelfilter 0,8 ltr	Filter support 0,8 ltr
004221	O-Ring	O-Ring
004222	Stützring	Back-up Ring
006363	Haltebügel Filtergehäuse 0,8 Liter	U-Clamp Filterhousing 0.8 Ltr
006364	Halteschalen Filtergehäuse 0,8 Liter	Bracket Filter Housing 0.8 ltr
009031	Verschlussstopfen	Plug for CE Safety Valve Base
010258	Rohrleitung Ø8mm, komplett mit M.&S.	Pipe Ø8mm
010259	Rohrleitung Ø8mm, komplett mit M.&S.	Pipe Ø8mm

0.8 LTR PREFILTER

Spare Part Lists



D



MAINTENANCE AND SERVICE 0.8 LTR PREFILTER

0.8 ltr Filter Element Change

Filter element change as follows:

- Vent 0.8 ltr filter housing.
- Loosen pipes and nuts (Fig. 1 a. 2)
- Remove complete pre-filter housing.
- Open pre-filter cover (Fig. 3).
- Change the filter element (stuck in filter cover) (Fig. 4).
- Change filter element, previously grease new o-ring .
- Grease thread of filter cover, o-ring and back-up ring.
- Reassemble pre-filter cover and filter housing. Note the correct position of th filter back-up!
- Connect pipes and tighten.
- Adjust holding clamp and tighten nuts

The filter element change is now completed.



Note

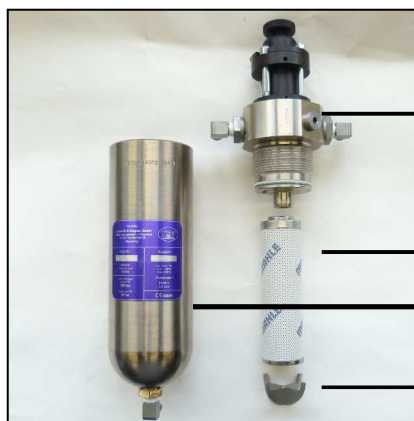
Ensure that the old filter element is disposed correctly at an approved waste point.



Fig. 1 - Loosen pipes and nuts



Fig. 2 - Loosen pipes and nuts



Pre-filter cover c/w safety valve, o-ring, back-up ring and connections

Filter element

Pre-filter housing

Filter back-up

Fig. 4 - 0.8ltr pre-filter parts



Fig. 3 - Open pre-filter cover

MAINTENANCE AND SERVICE 0.8 LTR PREFILTER

0.8 ltr Pre-Filter Housing - Maintenance



Note

Clean all parts thoroughly before assembly.

Pre-filter housing maintenance as follows:

Dismount pre-filter housing

- Loosen pipes and nuts
- Remove pre-filter housing

Pre-filter housing maintenance

- Open pre-filter cover
- Change o-ring and back-up ring, previously grease both
- Grease thread of filter cover and reassemble pre-filter cover and filter housing



Fig. 1 - Change o-ring and back-up ring

Install pre-filter housing

- Connect pipes and tighten.
- Adjust holding clamp and tighten nuts

The pre-filter housing maintenance is now completed.

Every 1000 operating hours

Maintenance work	Type	Quantity	Order No.
Replace o-ring of the 0.8 ltr final filter tower	-	1	004222
Replace back-up ring of the 0.8 ltr final filter tower	-	1	004221
Replace filter element of the 0-8 ltr final filter tower	-	1	003980



FINAL FILTER SEPARATOR 2.3 LTR

D



FINAL FILTER SEPARATOR 2.3 LTR

Filter Housing 2.3 ltr

Inside the filter housing a jet blows air on to the wall of the housing. Condensation water and oil are led by centrifugal force to the bottom of the housing. Air flows through the mole carbon filter cartridge, which purifies the air from residual moisture and odours. The manual condensate drain valve needs to be opened if a drain is necessary and before filter cartridge change.

Filter Cartridge 2.3 ltr

The high-pressure compressor is equipped with an integrated breathing air purification system. Air is compressed up to 350 bar, dried and odour- and tasteless purified. Oil residues are bounded. The breathing air filter cartridge consists of a molecular sieve and activated-carbon filter.

Cartridge capacity: approx. 2.3 ltr

All breathing air filter cartridges are vacuum sealed.

We recommend unpacking the filter cartridges just before installation. Filter cartridges which are exposed too long could be saturated with moisture and become unusable.

Maintenance Intervals

The life of the filter cartridge is substantially depend on the operating temperature, from the state of wear of the compressor, of the filter size and the operating pressure.

We recommend to monitor the state of the filter.

D



FINAL FILTER SEPARATOR 2.3 LTR

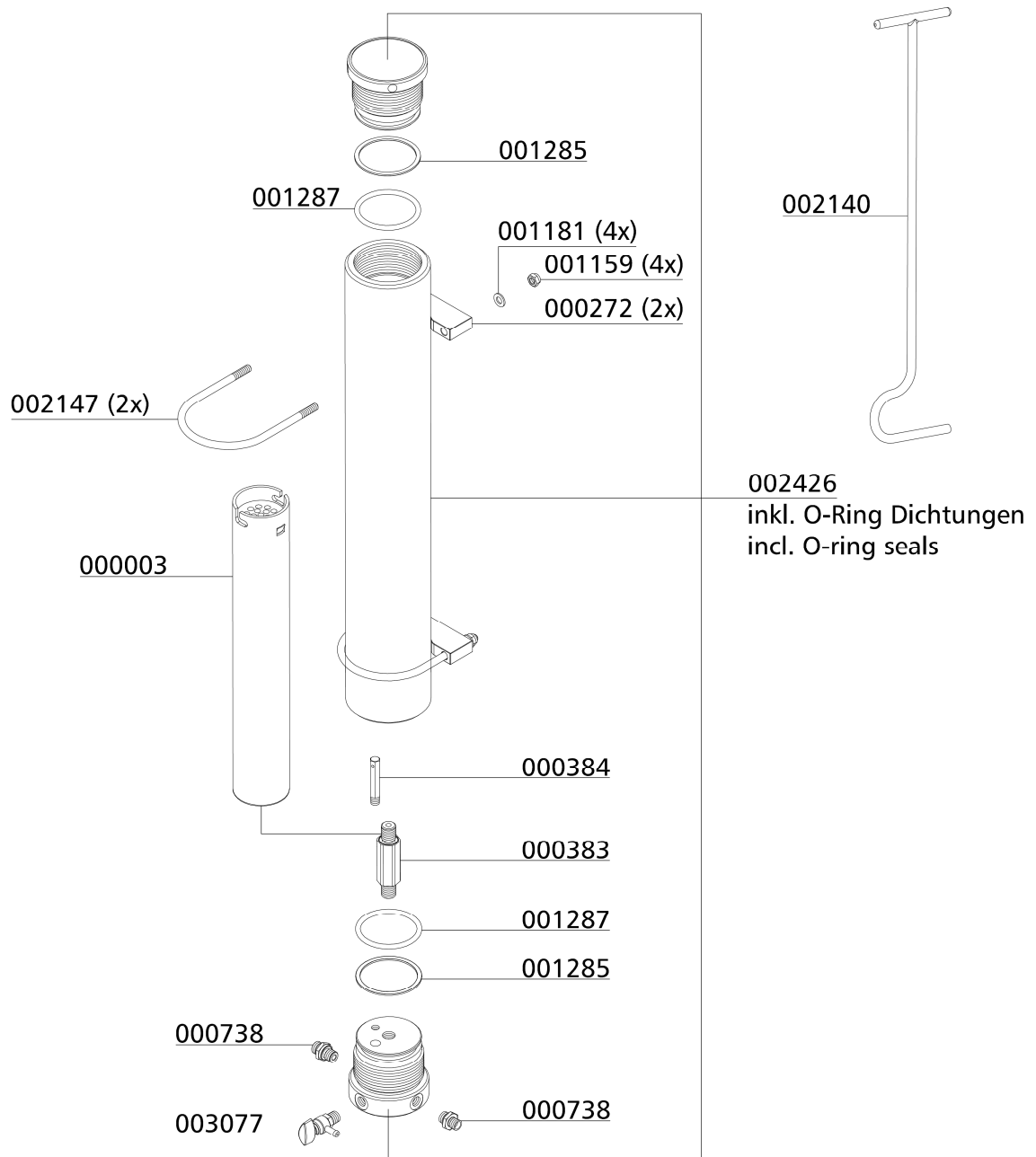
Spare Part List

Best.-Nr. / Order No.	Benennung	Description
000003	Filterpatrone 2,3 Liter	Filter Cartridge 2.3 ltr BA
000272	Abstandshalter für Filtergehäuse	Spacer Bracket for Filtertower
000383	Messing Adapter für Filterpatrone	Brass Filter Adapter
000384	Düse für Filtergehäuse	Jet Filter Housing
000738	Gerade Verschraubung	Straight Connection
001159	Stopfmutter	Lock Nut M8
001181	U-Scheibe A8	Washer A8
001285	Stützring, Filtergehäuse	Back-up Ring Filter Housing
001287	O-Ring, Filtergehäuse	O-Ring filter housing
002140	Filterschlüssel 1,7 & 2,3 Liter Behälter	Filter tool 1,7 & 2,3 Litre
002147	Haltebügel für Filtergehäuse (ES)	U-Clamp for filter housing ES
002426	Filtergehäuse, kompl.	Filter housing
003077	Entwässerungsventil G1/4" AG, konisch	Drain Valve G1/4" male

D

FINAL FILTER SEPARATOR 2.3 LTR

Spare Part List



D

MAINTENANCE AND SERVICE

Filter Cartridge Replacement

Filter cartridge change as follows:

- Open the condensate valve of the final filter housing until it's depressurized (Fig.1)
- Unscrew filter housing cover by using the special filter tool (Fig.2)
- Place the T-piece end of the filter tool in the recess of the filter cartridge (Fig.3)
- Unscrew the filter cartridge anti-clockwise and pull the cartridge out of the housing (Fig.4)
- Open the packing of the new filter cartridge and place it with the filter tool in the filter housing
- Screw the new filter cartridge hand tight in by using the filter tool
- Screw the cover of the filter housing first manually in
- After it has been completely screwed in, turn cover anticlockwise for 90°. This avoids tightening of the cover due to vibration

The filter cartridge change is now completed.



Fig. 1 - Drain tap



Fig. 2 - Unscrew the filter housing cover.



Fig. 3 - Place the T-piece end of the filter key in the top of the filter cartridge.



Fig. 4 - Pull the cartridge out of the housing.



Note

Ensure that the old filter cartridge is disposed correctly at an approved waste point.

MAINTENANCE AND SERVICE

Filter Housing - Maintenance



Note

Clean all parts thoroughly before assembly.

Filter housing maintenance as follows:

- Open Filter Cover (Fig.1)
- Change o-ring and back-up ring, previously grease both (Fig.2)
- Grease filter cover thread and close

Dismount filter housing

- Loose pipes and nuts (Fig.3)
- Remove filter housing
- Dismount filter housing base
- Change o-ring and back-up ring, previously grease both (Fig.4)
- Screw filter base tight in

Mount filter housing

- Connect pipe connections and tighten
- Adjust holding clamp and tighten nuts.

The filter housing maintenance is now completed.

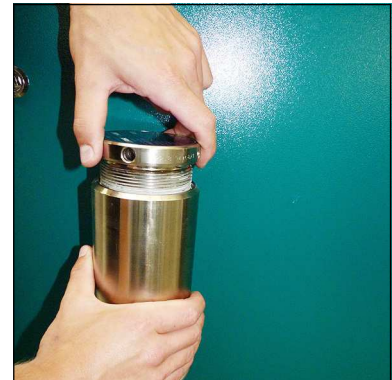


Fig. 1 - Open Filter cover

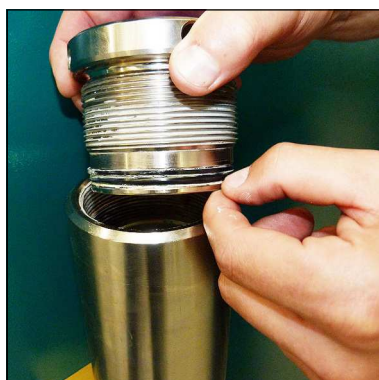


Fig. 2 - Change o-ring and back-up rings



Fig. 3 - Loose pipe connections and nuts



Fig. 4 - Change o-ring and back-up rings



MAINTENANCE AND SERVICE

Every 1000 operating hours

Maintenance work	Type	Quantity	Order No.
Replace o-ring of the 2.3 ltr final filter tower	-	2	001287
Replace back-up ring of the 2.3 ltr final filter tower	-	2	001285

D



AUTOMATIC CONDENSATION DRAIN BASIC

D

AUTOMATIC CONDENSATION DRAIN BASIC

Automatic condensation dump system



Note

The collected condensate can contain oil and has to be disposed according to regulations.

Automatic condensation dump system is an option for LW 570 EC II .

Solenoids drain all condensate separators every 15 minutes.

To test the system, press the blue condensate test drain button on the operating panel.

Oil / water separators

Condensate is separated after each stage of compression. All separators are equipped with electronic timer controlled solenoid coils. The timer is located in the switch box and activates the dump valves about every 15 minutes.

To release the complete condensate through the black plastic hoses, we recommend using a container at least.

The drain noise can be kept to a minimum by using a silencer.

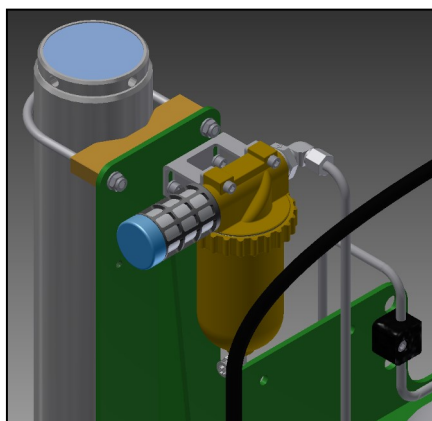
Maintenance intervals

We recommend to clean oil and water separators every 500 operating hours or at least once a year, to check for corrosion damage and to replace o-rings if necessary.

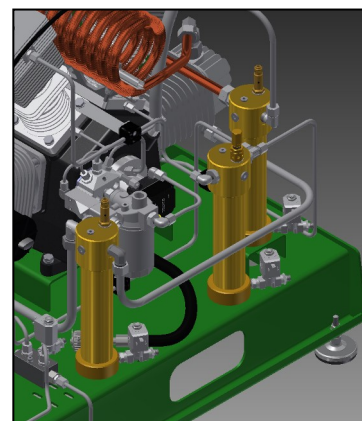
All oil / water separators have an integrated sinter filter which has to be replaced every 1,000 operating hours.



Condensate Test
Drain Button



Oil / Water separator



Oil / Water separators

AUTOMATIC CONDENSATION DRAIN BASIC

Leak test



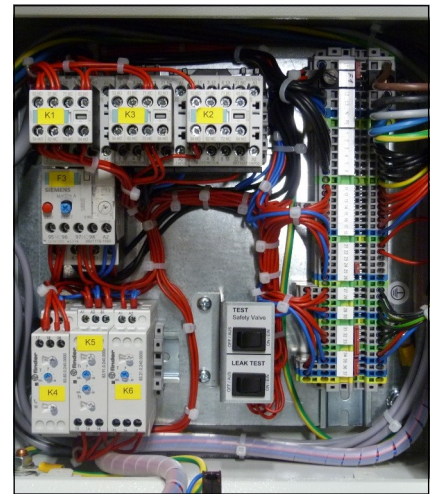
Note

Do not fill any tank during test phase!

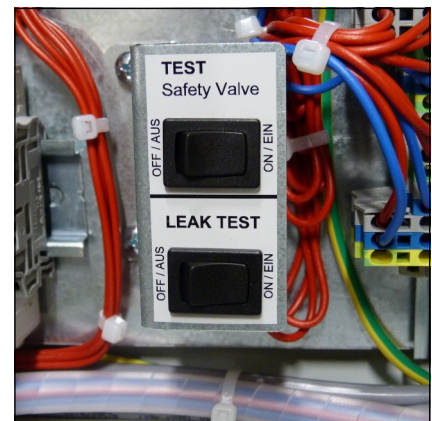
Leak test as follows:

- Disconnect the compressor from the electrical power supply and protect against unexpected restart.
- Open the cover of the switch box.
- Switch on the leak test switch (solenoid valves will be deactivated!).
- Close the cover of the switch box.
- Connect the compressor to the electrical power supply.
- Close filling valves.
- Start the compressor.
- Switch off the compressor at a pressure of approx. 150 bar.
- Verify the compressor for release noises. (A slight hiss of the air inlet filter nozzle can be ignored). If release noises occur, localise blow off position(s).
- Switch off the compressor.
- Disconnect the compressor from the electrical power supply and protect against unexpected restart.
- Open the cover of the switch box.
- Switch off the leak test switch (solenoids will be activated!).
- Close the cover of the switch box.
- Connect the compressor to the electrical power supply (compressor vented).

The leak test is now completed.



Switch box



Leak test switch (lower)

AUTOMATIC CONDENSATION DRAIN BASIC

Oil / water separators final stage - maintenance



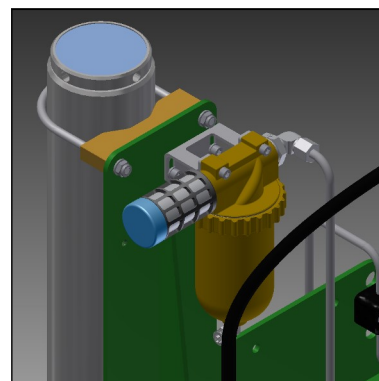
Note

Clean all parts thoroughly before assembly.

Change/clean oil / water separators final stage as follows:

- Loosen pipe connections and mounting screws.
- Remove oil / water separators.
- Open ring nut and remove separator top (Fig. 1).
- Loosen nut at the separator top.
- Change sinter filter (Fig. 2).
- Reassemble all parts and tighten nut.
- Change o-ring, previously grease new o-ring (Fig. 3).
- Place separator top and tighten ring nut manually.
- Replace silencer.
- Mount oil / water separators.
- Tighten pipe connections and mounting screws.

The oil / water separator maintenance is now completed.



Oil / water separator final stage

D



Fig. 1 - Loosen ring nut

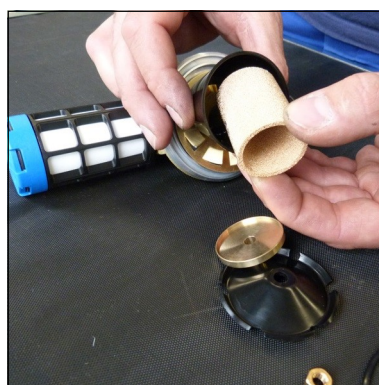


Fig. 2 - Change sinter filter



Fig. 3 - Change o-ring

AUTOMATIC CONDENSATION DRAIN BASIC

Pneumatic condensate valve - maintenance



Note

Clean all parts thoroughly before assembly.

Pneumatic condensate valve change as follows:

- Loosen pipe connections and mounting screws.
- Remove pneumatic condensate valve.
- Loosen connection (Fig. 2).
- Change sinter filter (Fig. 3).
- Tighten horizontal screw.
- Mount pneumatic condensate valve.
- Tighten pipe connections and mounting screws.

Pneumatic condensate valve maintenance is now completed.

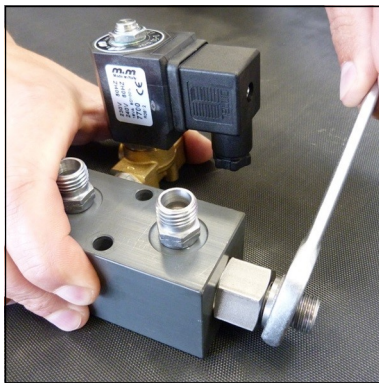


Fig. 2 - Loosen connection

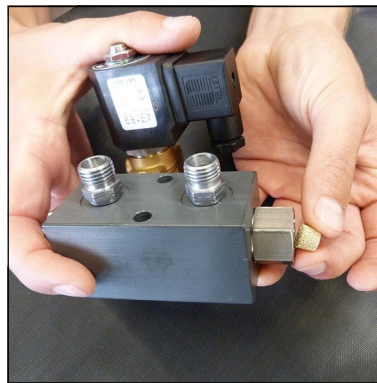
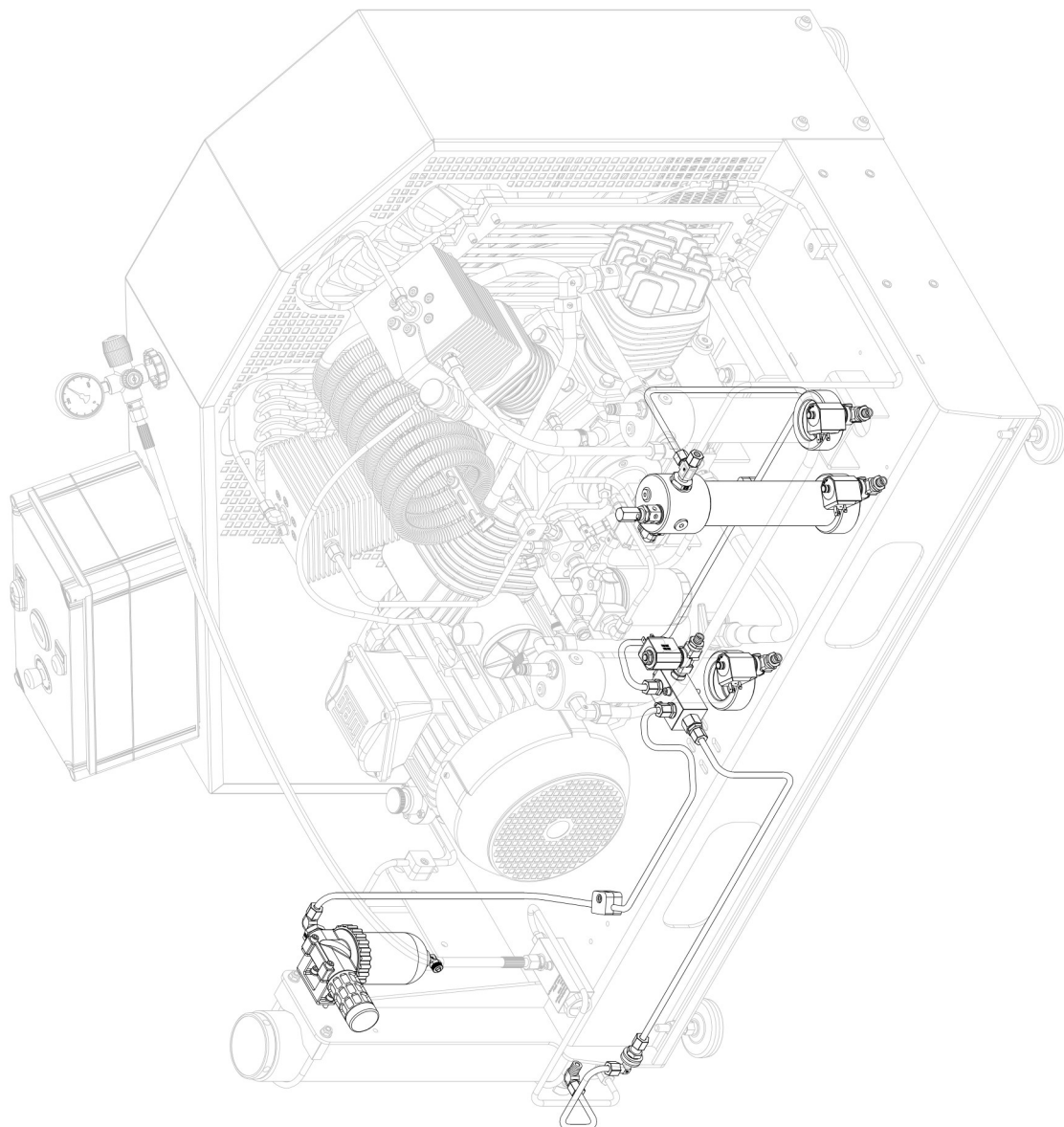


Fig. 3 - Change sinter filter

AUTOMATIC CONDENSATION DRAIN BASIC

Spare Part List



D



AUTOMATIC CONDENSATION DRAIN BASIC

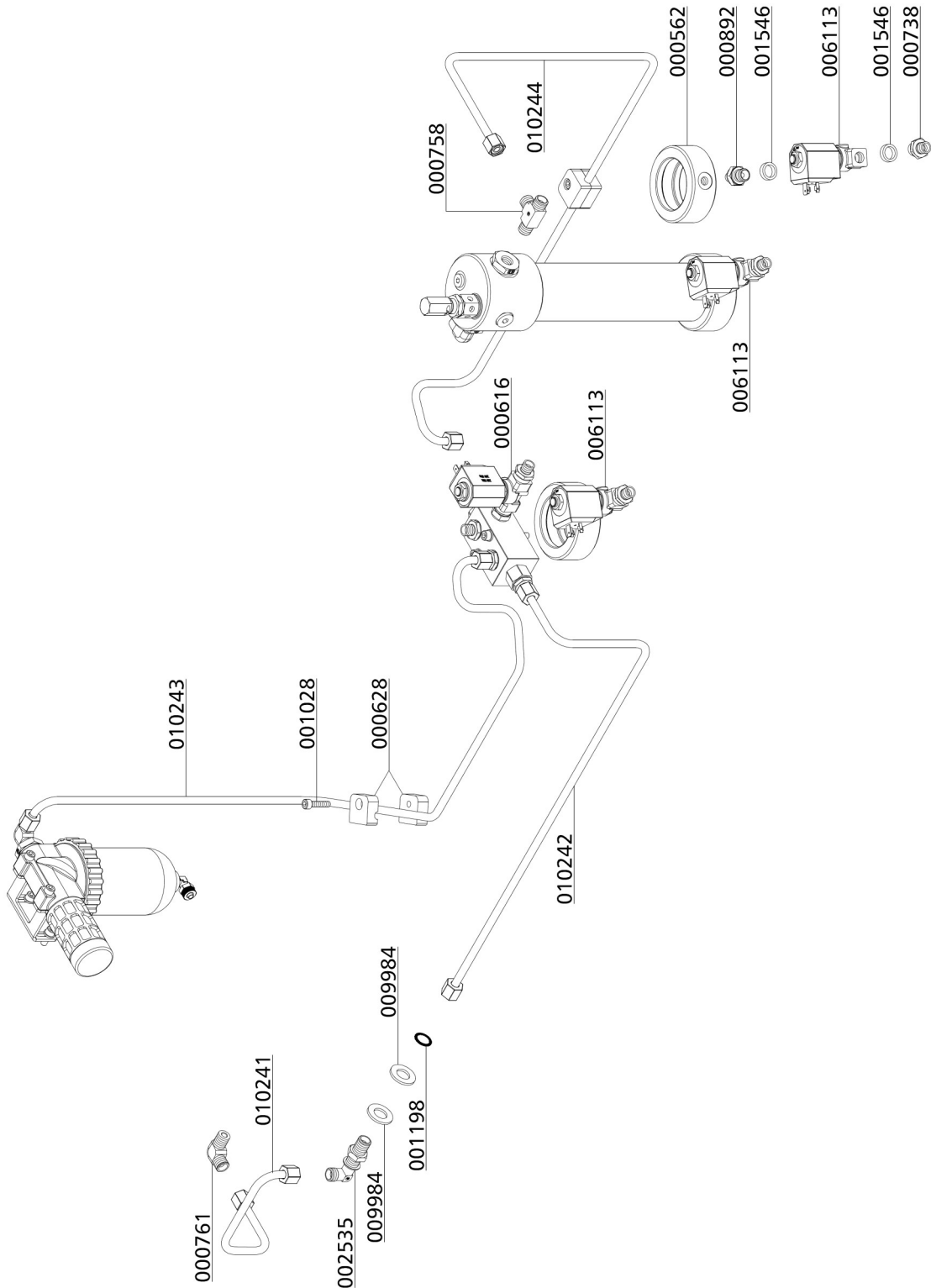
Spare Part List

Best.-Nr. / Order No.	Benennung	Description
000562	Wasserabscheider - Ring	Ring Water Separator, 2nd St.
000616	Magnetventil 80 bar	Solenoid NC 80 bar G1/4" 230V
000628	Einfachschelle 1 x 8mm 1 Paar	Pipe Clamp 1x8mm 1pair PVC
000738	Gerade Verschraubung	Straight Connection
000758	Verschraubung	T-Connection with 1/4" radial
000761	Winkelverschraubung	Elbow Connection
000892	Doppelnippel	Double Nipple
001028	Zylinderschraube	Allen Bolt
001198	Schnorr-Scheibe S14	Clamp Washer S14
001546	Aludichtring für Magnetventile G1/4"	Alloy Seal Ring for G1/4" male
002535	Winkelschottverschraubung, WSV08L	Bulkhead connection
006113	Magnetventil 0-55 bar	Solenoid 0-55 bar
009984	U-Scheibe	Washer
010242	Rohrleitung Ø8mm, komplett mit M.&S.	Pipe Ø8mm
010243	Rohrleitung Ø8mm, komplett mit M.&S.	Pipe Ø8mm
010244	Rohrleitung Ø8mm, komplett mit M.&S.	Pipe Ø8mm

D

AUTOMATIC CONDENSATION DRAIN BASIC

Spare Part List



D



AUTOMATIC CONDENSATION DRAIN BASIC

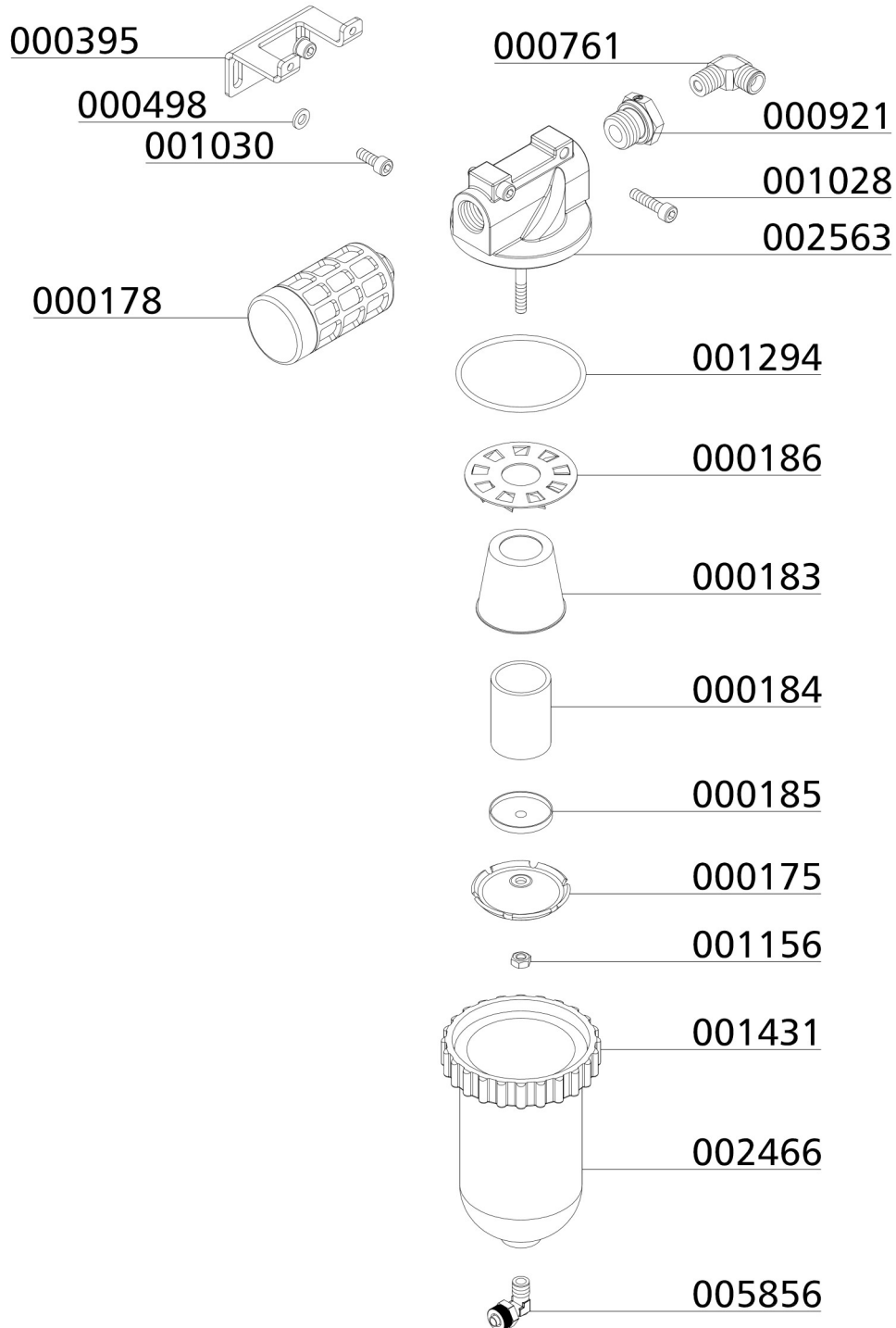
Spare Part List

Best.-Nr. / Order No.	Benennung	Description
000175	Abweiser Öl-/ Wasserabscheider	Deflector Oil/Water Separator
000178	Schalldämpfer G1/2"	Silencer G1/2"
000183	Wasserabweiser	Filter Protecor
000184	Sinterfilter Wasserabscheider	Siltered Filter, Oil Filter
000185	Halteteller	Plate, water separator
000186	Drallscheibe, z.B. 1. Stufe	Twist Disk, 1st. Stage
000395	Blechhalter Kondensatabscheider Endstufe	Bracket Water Separator
000498	U-Scheibe A6	Washer A6
000761	Winkelverschraubung	Elbow Connection
000921	Reduzierung	Reducer
001028	Zylinderschraube	Allen Bolt
001030	Zylinderschraube	Allen Bolt
001156	Stopfmutter	Lock Nut M6
001294	O-Ring Wasserabscheider, Endabscheider	O-Ring, water separator
001431	Klemmring Wasserabscheider	Lock Ring Water Separator
002466	Kondensatbehälter für Abscheider	Condensate Bowl, alloy (gold)
002563	Wasserabscheider Oberteil	Water Separator, Top
005856	Winkeleinschraubverschraubung 8 mm	Elbow Hose Connection 8 mm

D

AUTOMATIC CONDENSATION DRAIN BASIC

Spare Part List



D



AUTOMATIC CONDENSATION DRAIN BASIC

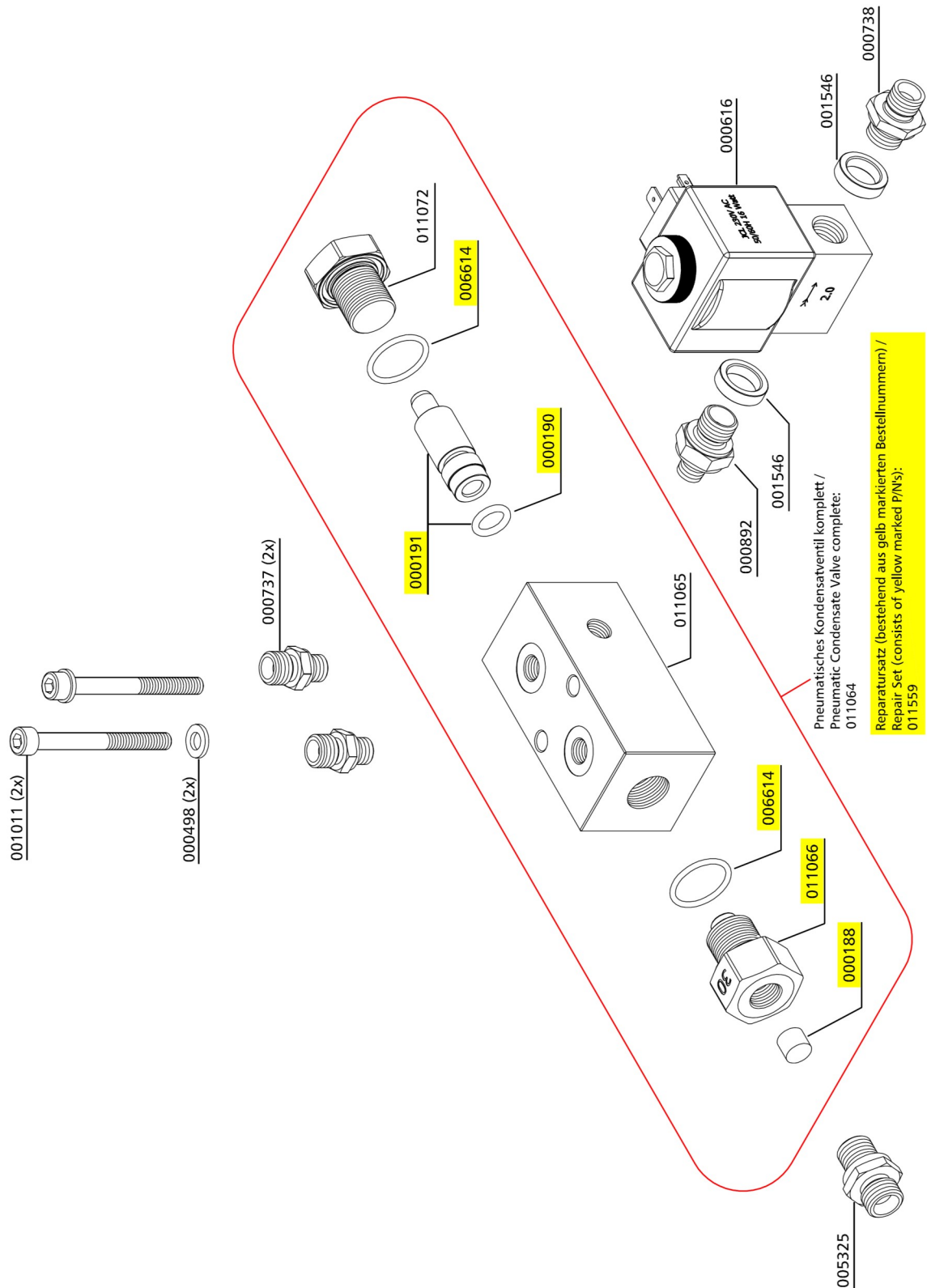
Spare Part List

Best.-Nr. / Order No.	Benennung	Description
000188	Sinterfilter, pneum. Kondensatventil	Sintered Filter
000190	O-Ring, pneumatisches Kondensatventil	O-Ring PCV
000191	Steuerkolben, pneum. Kondensatventil	Piston PCV
000498	U-Scheibe A6	Washer A6
000616	Magnetventil 80 bar	Solenoid NC 80 bar G1/4" 230V
000737	Verschraubung	Connection
000738	Gerade Verschraubung	Straight Connection
000892	Doppelnippel	Double Nipple
001011	Zylinderschraube M6x60mm DIN912 8.8 ZN	Allen Bolt M6x60mm DIN912 8.8 ZN
001546	Aludichtring für Magnetventile G1/4"	Alloy Seal Ring for G1/4" male
005325	Verschraubung GE 08L R1/4" 71	Connection GE 08L R1/4" 71
006614	O-Ring 6-kant Stopfen Kondensatventil Ø20 x 2 NBR90	O-Ring Ø20x2 NBR90
011064	Pneum. Kondensatablassventil, Düsen-schraube Ø3mm	Pneumatic Condensate Valve, Jet Screw type "30"
011065	Gehäuse, pneum. Kondensatventil	Housing PCV
011066	Düsen-schraube, pneum. Kondensatventil Ø3,0mm	Inlet Jet Screw, type "30"
011072	Verschlussstopfen, pneum. Kondensat-ventil	Plug PCV
011559	Reparatursatz pneum. Kondensatventil	Repair Kit Condensate Valve

D

AUTOMATIC CONDENSATION DRAIN BASIC

Spare Part List



D

AUTOMATIC CONDENSATION DRAIN BASIC

Spare Part List

Best.-Nr. / Order No.	Benennung	Description
002089	Betriebsstundenzähler	Hour counter
002502	Kondensat Test Schalter	Drain test switch
002942	START/STOP Schalter mit LED	Start/Stop switch c/w LED
003121	NOT-AUS Schalter	Emergency switch
004704	Warnlampe	Warning Lamp
005670	Einlegeschild Kondensat Test	Label Drain Test
006859	Schildträger	Label holder
006925	Einlegeschild Motorschutz	Label Motor protect

D





AUTOMATIC CONDENSATION DRAIN STANDARD

D

AUTOMATIC CONDENSATION DRAIN STANDARD

Automatic condensation dump system



Note

The collected condensate can contain oil and has to be disposed according to regulations.

Automatic condensation dump system is an option for LW 570 EC II .
Solenoids drain all condensate separators every 15 minutes.

To test the system, press the blue condensate test drain button on the operating panel.

Oil / water separators

Condensate is separated after each stage of compression. All separators are equipped with electronic timer controlled solenoid coils. The timer is located in the switch box and activates the dump valves about every 15 minutes.

To release the complete condensate through the black plastic hoses, we recommend using a container at least.

The drain noise can be kept to a minimum by using a silencer.

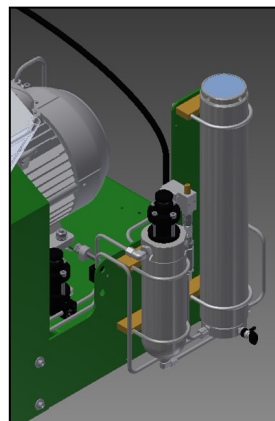
Maintenance intervals

We recommend to clean oil and water separators every 500 operating hours or at least once a year, to check for corrosion damage and to replace o-rings if necessary.

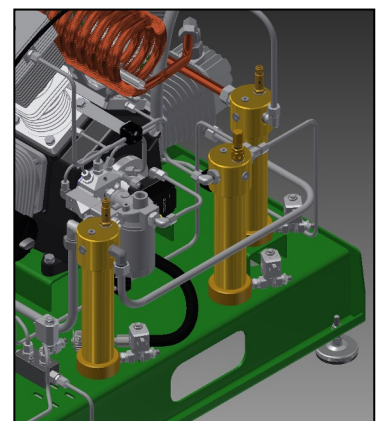
All oil / water separators have an integrated sinter filter which has to be replaced every 1,000 operating hours.



Condensate Test
Drain Button



0.8ltr pre filter



Oil / Water separators

AUTOMATIC CONDENSATION DRAIN STANDARD

Leak test



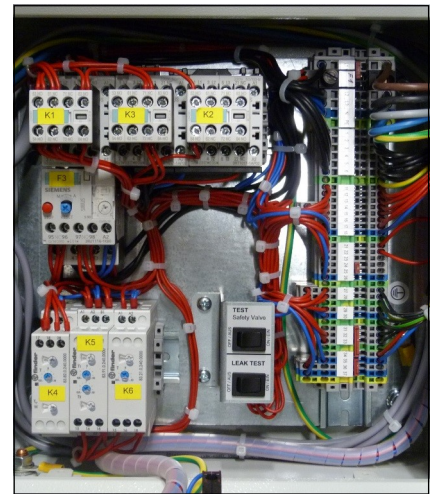
Note

Do not fill any tank during test phase!

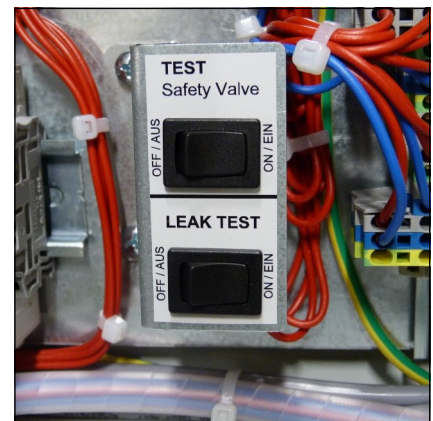
Leak test as follows:

- Disconnect the compressor from the electrical power supply and protect against unexpected restart.
- Open the cover of the switch box.
- Switch on the leak test switch (solenoid valves will be deactivated!).
- Close the cover of the switch box.
- Connect the compressor to the electrical power supply.
- Close filling valves.
- Start the compressor.
- Switch off the compressor at a pressure of approx. 150 bar.
- Verify the compressor for release noises. (A slight hiss of the air inlet filter nozzle can be ignored). If release noises occur, localise blow off position(s).
- Switch off the compressor.
- Disconnect the compressor from the electrical power supply and protect against unexpected restart.
- Open the cover of the switch box.
- Switch off the leak test switch (solenoids will be activated!).
- Close the cover of the switch box.
- Connect the compressor to the electrical power supply (compressor vented).

The leak test is now completed.



Switch box



Leak test switch (lower)

AUTOMATIC CONDENSATION DRAIN STANDARD

Oil / Water Separators 1st, 2nd and 3rd Stage - Maintenance



Note

Clean all parts thoroughly before assembly.

Maintenance / cleaning of oil / water separators 2nd stage as follows:

- Loose pipes and mounting screw
- Remove oil / water separator
- Unscrew and remove filter top (Fig. 1)
- Loose nut of separator top (Fig. 2)
- Change sinter filter (Fig. 3)
- Reassemble all parts and tighten nut
 - *(Only for oil separator 3rd stage)*
Pull the condensate stop valve out of the filter housing by using threaded rod
 - Change o-ring, previously grease new o-ring (Fig. 4).
 - Push the condensate stop valve into the filter housing by using a threaded rod
 - Change o-ring on the top of the filter housing, previously grease new o-ring (Fig. 5)
 - Place separator top and tighten
 - Remove the base ring (Fig. 6)
 - Change o-rings, previously grease new o-rings (Fig. 7)
 - Remove the connection of the base ring and change the sinter filter (Fig. 8)
 - Reassemble the connection
 - Mount the base ring
 - Mount oil / water separator
 - Tighten pipes and mounting screw

The oil / water separator maintenance is now completed.



Fig. 1 - Unscrew and remove filter top

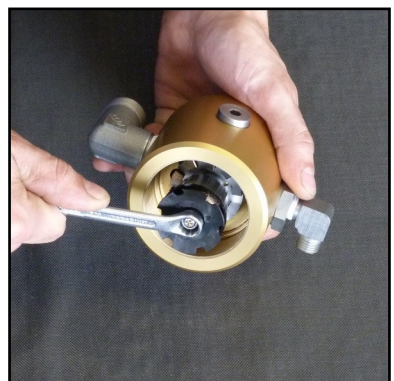


Fig. 2 - Loose nut at the separator top

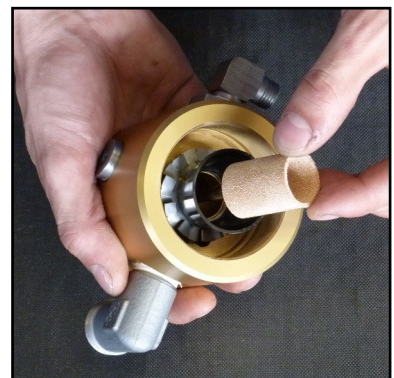


Fig. 3 - Change sinter filter

AUTOMATIC CONDENSATION DRAIN STANDARD

Oil / Water Separators 1st, 2nd and 3rd Stage - Maintenance - continued from previous page

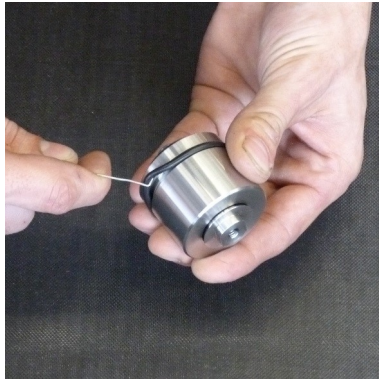


Abb. 4 - Change o-ring



Abb. 5 - Change o-ring

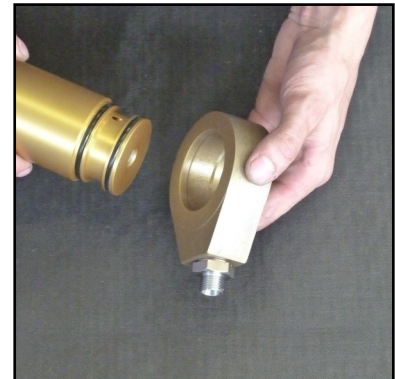


Abb. 6 - Remove the base ring



Abb. 7 - Change o-rings



Abb. 8 - Change sinter filter

Condensate Stop Valve - Maintenance



Note

Clean all parts thoroughly before assembly.

Change/clean condensate stop valve as follows:

- Loose pipes and mounting screws.
- Remove condensate stop valve housing.
- Remove allen bolts and pull off the cover by screwing two allen bolts into the threaded holes (Fig. 2).
- Pull the condensate stop valve out of the filter housing by using a threaded rod
- Change o-ring, previously grease new o-ring (Fig. 3).
- Push the condensate stop valve into the filter housing by using a threaded rod.
- Change o-ring of the cover, previously grease new o-ring (Fig. 4).
- Mount the cover, tighten the allen bolts crosswise.
- Remove the connection on the cover ring and change the sinter filter (*version 1 non threaded version & version 2 threaded version*) (Fig. 5).
- Reassemble the connection
- Mount condensate valve housing.
- Tighten mounting screws and pipes

The oil / water separator maintenance is now completed.



Fig. 1 - Condensate stop valve housing

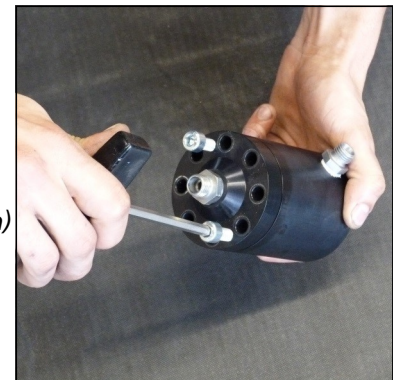


Fig. 2 - Remove the cover

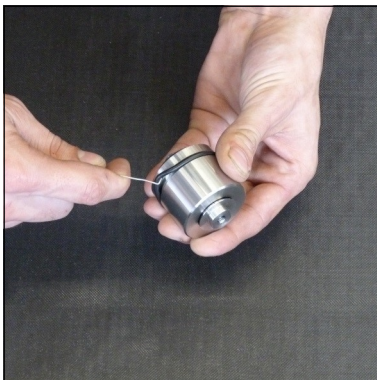


Abb. 3 - O-Ring wechseln
(Kondensat-Stopp-Ventil)



Abb. 4 - O-Ring wechseln (Deckel
Kondensat-Stopp-Ventil)



Abb. 5 - Sinterfilter wechseln

AUTOMATIC CONDENSATION DRAIN STANDARD

Pneumatic condensate valve - Maintenance



Note

Clean all parts thoroughly before assembly.

Pneumatic condensate valve change as follows:

- Loosen pipes and mounting screws.
- Remove pneumatic condensate valve.
- Loosen connection (Fig. 1).
- Change sinter filter (Fig. 2).
- Tighten horizontal screw.
- Mount pneumatic condensate valve.
- Tighten pipes and mounting screws.

Pneumatic condensate valve maintenance is now completed.

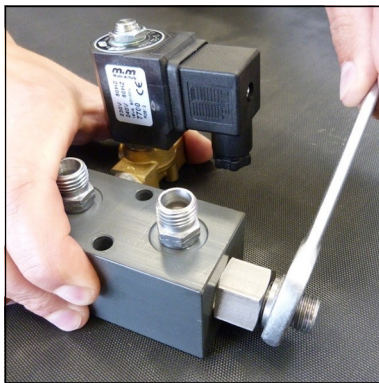


Fig. 1 - Loosen connection

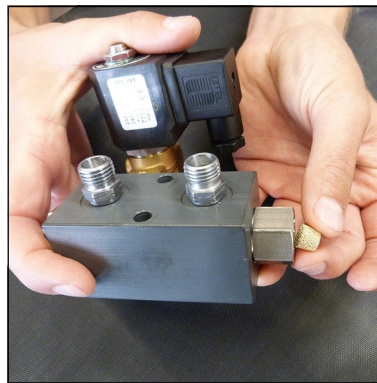


Fig. 2 - Change sinter filter

AUTOMATIC CONDENSATION DRAIN STANDARD

Condensate-Catch-Tank - Maintenance



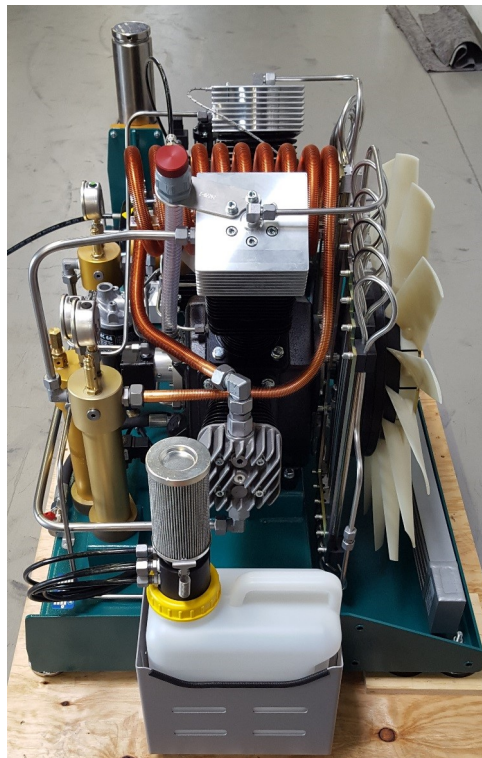
Note

Clean all parts thoroughly before assembly.

Condensate-Catch-Tank change as follows:

- Loosen hoses from Adapter Condensate Catch Tank
- Loosen Cap for Condensate Catch Tank
- Remove Adapter Condensate Catch Tank from Condensate Catch Tank
- Change o-ring from Adapter Condensate Catch Tank, previously grease new o-ring
- Loosen Spring Clamping Plate from Filter Condensate Catch Tank
- Change Filter Condensate Catch Tank, previously grease new o-ring
- Mount Filter Condensate Catch Tank and Spring Clamping Plate
- Mount Adapter Condensate Catch Tank
- Mount and tighten hoses

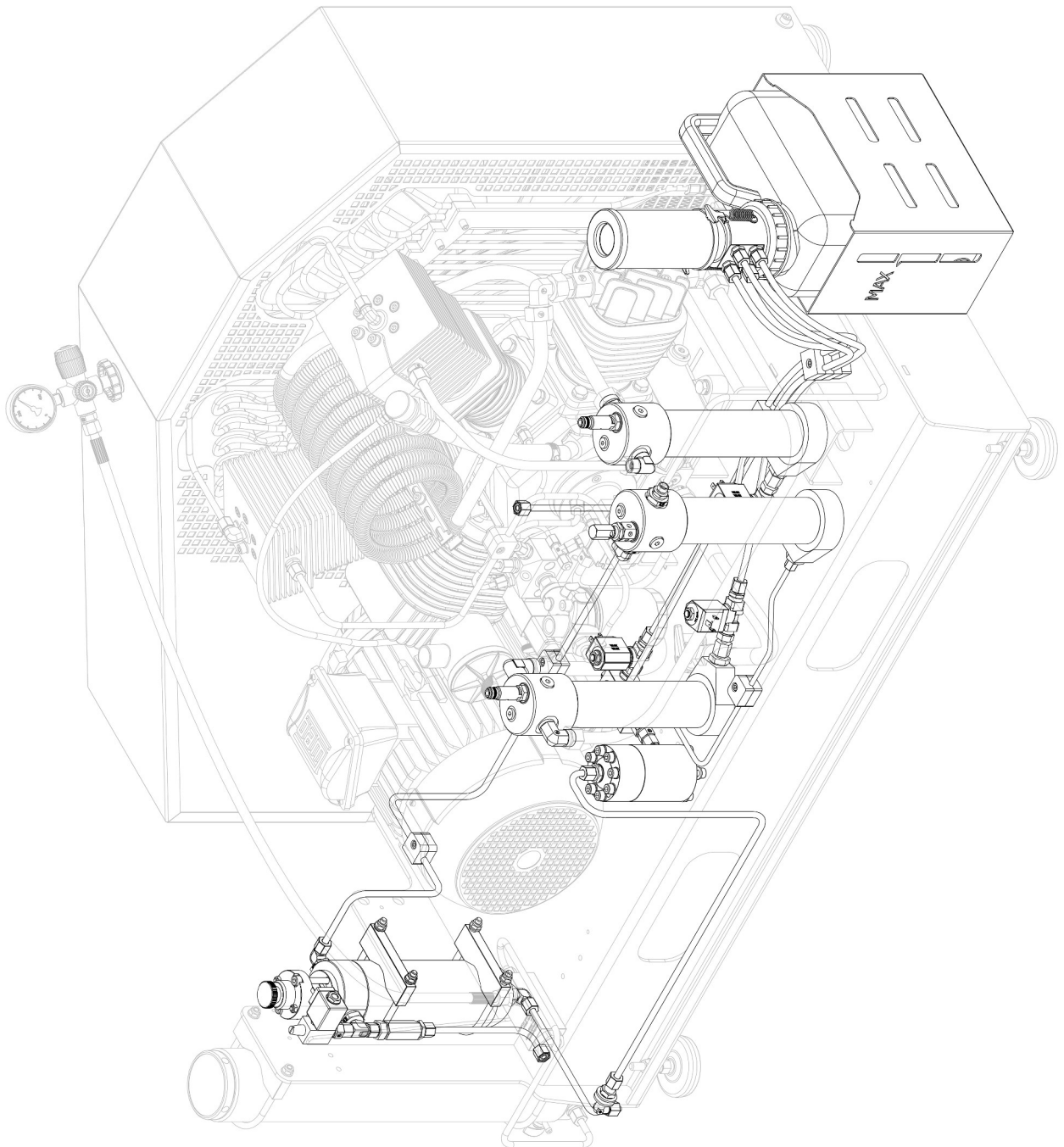
Condensate-Catch-Tank maintenance is now completed.



Condensate-Catch-Tank

AUTOMATIC CONDENSATION DRAIN STANDARD

Spare Part List





AUTOMATIC CONDENSATION DRAIN STANDARD

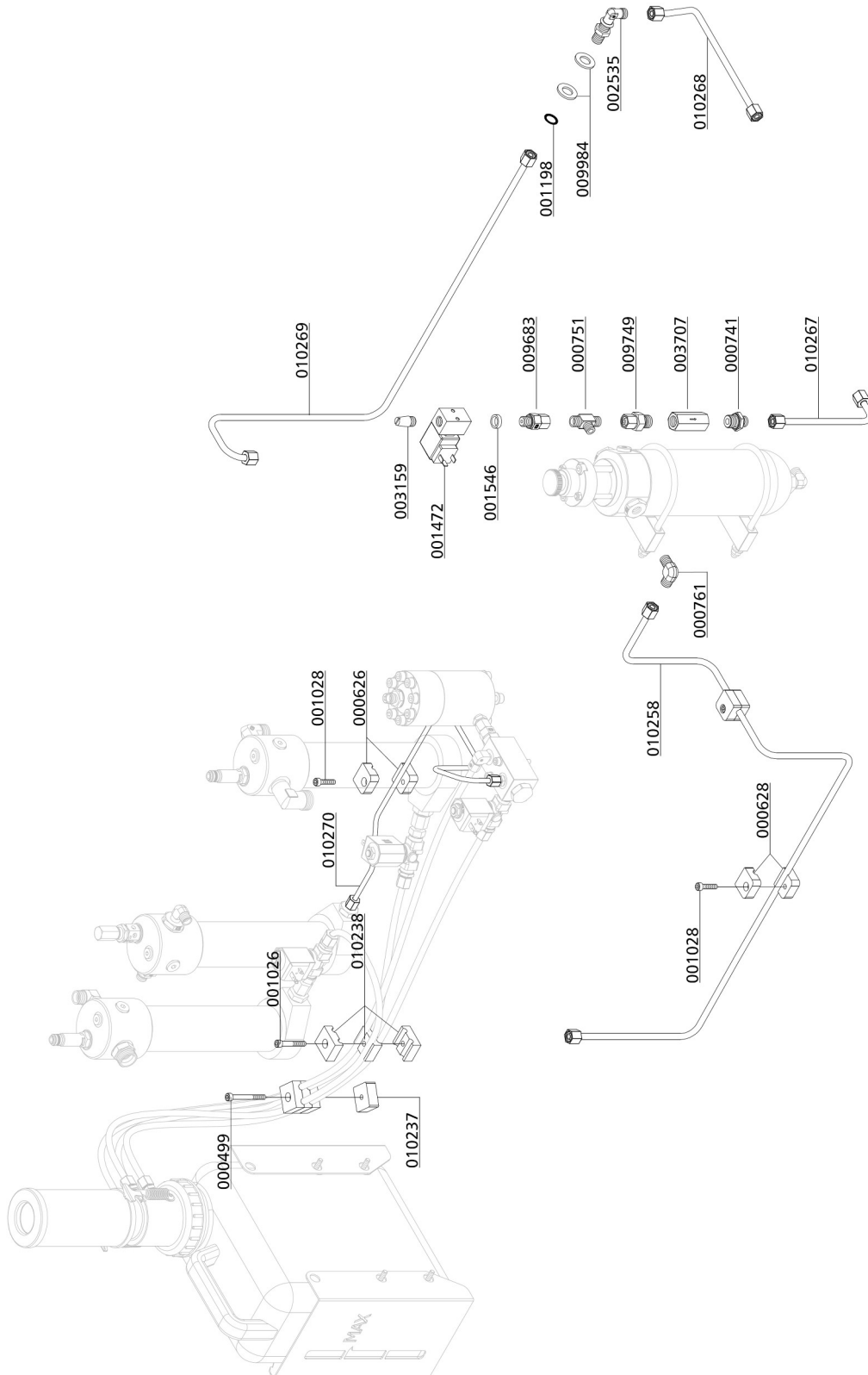
Spare Part List

Best.-Nr. / Order No.	Benennung	Description
000499	Zylinderschraube	Bolt
000626	Einfachschelle 1 x 6mm 1 Paar	Pipe Clamp 1x6mm 1pair PVC
000628	Einfachschelle 1 x 8mm 1 Paar	Pipe Clamp 1x8mm 1pair PVC
000741	Verschraubung	Connection
000751	Verschraubung	Connection incl nut&olive seal
000761	Winkelverschraubung	Elbow Connection
001026	Zylinderschraube	Allen Bolt
001028	Zylinderschraube	Allen Bolt
001198	Schnorr-Scheibe S14	Clamp Washer S14
001472	Magnetventil, 350bar EDELSTAHL 230V/50Hz	Solenoid s/s 350 bar 230V/50Hz
001546	Aludichtring für Magnetventile G1/4"	Alloy Seal Ring for G1/4" male
002535	Winkelschottverschraubung, WSV08L A3C	Bulkhead connection
003159	Sinterfilter G1/4" Stumpfkegel	Sintered filter G1/4"
003707	Rückschlagventil	Non-Return Valve
009683	Verschraubung	Connection with fixed nut
009749	Gerader Einschraubstutzen	Connection with fixed nut
009984	U-Scheibe	Washer
010237	Distanzstück 15mm	Alloy Spacer for Pipe Clamp
010238	Doppelschelle 2x8mm, 1 Satz	Pipe Clamp 2x8mm
010258	Rohrleitung Ø8mm, komplett mit M.&S.	Pipe Ø8mm
010267	Rohrleitung Ø8mm, komplett mit M.&S.	Pipe Ø8mm
010268	Rohrleitung Ø8mm, komplett mit M.&S.	Pipe Ø8mm
010269	Rohrleitung Ø8mm, komplett mit M.&S.	Pipe Ø8mm
010270	Rohrleitung Ø8mm, komplett mit M.&S.	Pipe Ø8mm

D

AUTOMATIC CONDENSATION DRAIN STANDARD

Spare Part List



D



AUTOMATIC CONDENSATION DRAIN STANDARD

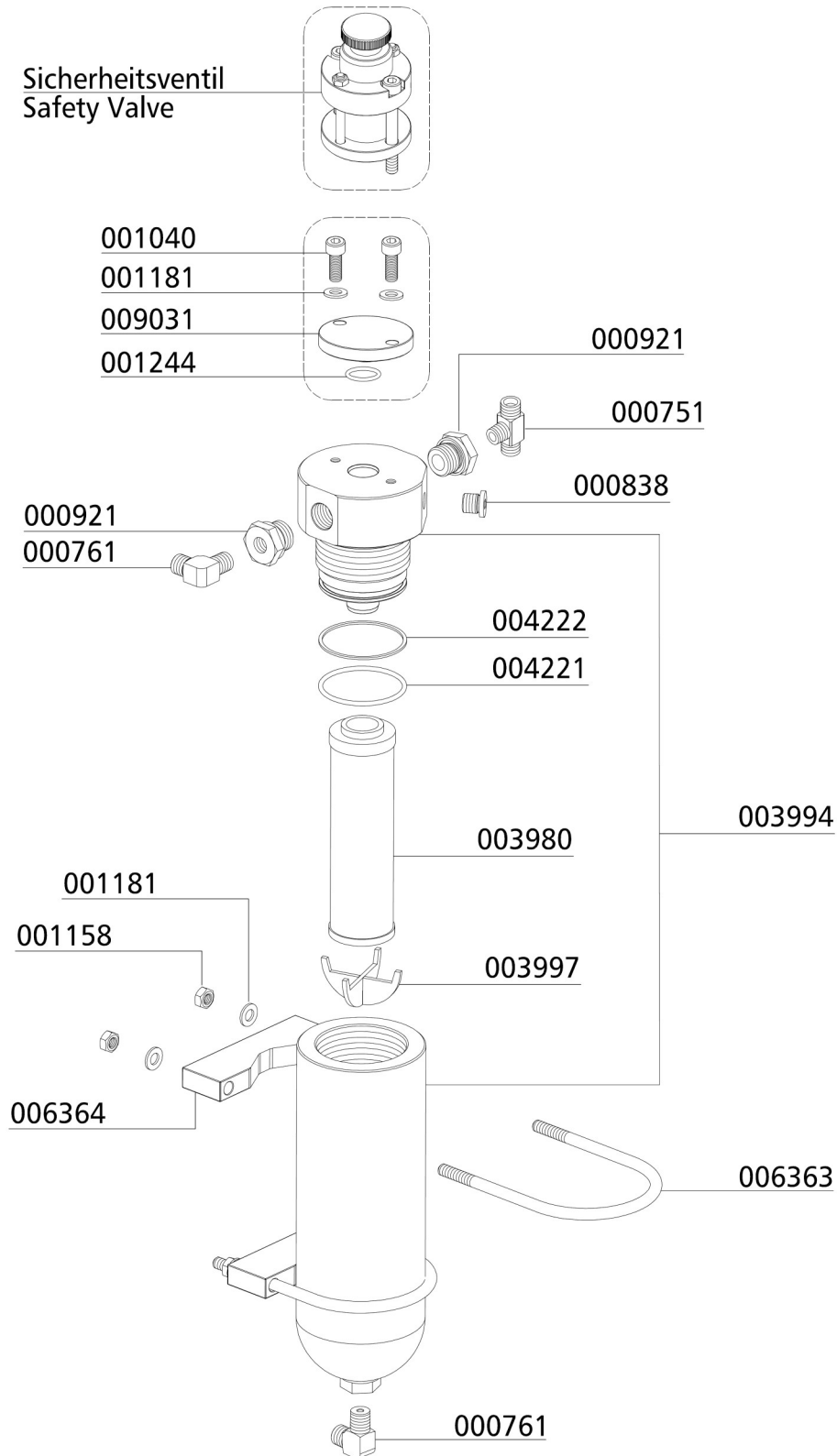
Spare Part List

Best.-Nr. / Order No.	Benennung	Description
000751	Verschraubung	Connection incl nut&olive seal
000761	Winkelverschraubung	Elbow Connection
000838	Verschlussstopfen	Plug
000921	Reduzierung	Reducer
001040	Zylinderschraube	Allen Screw
001158	Mutter	Nut M8
001181	U-Scheibe A8	Washer A8
001244	O-Ring	O-Ring, flange safety valve
003980	Filterelement	Filter water separator 0.8 Ltr
003994	Filterbehälter 350 bar, V: 0,8 ltr	Filter Unit 0.8 ltr / 350 bar
003997	Filterstütze Partikelfilter 0,8 ltr	Filter support 0,8 ltr
004221	O-Ring	O-Ring
004222	Stützring	Back-up Ring
006363	Haltebügel Filtergehäuse 0,8 Liter	U-Clamp Filterhousing 0.8 Ltr
006364	Halteschalen Filtergehäuse 0,8 Liter	Bracket Filter Housing 0.8 ltr
009031	Verschlussstopfen	Plug for CE Safety Valve Base

D

AUTOMATIC CONDENSATION DRAIN STANDARD

Spare Part List



D



AUTOMATIC CONDENSATION DRAIN STANDARD

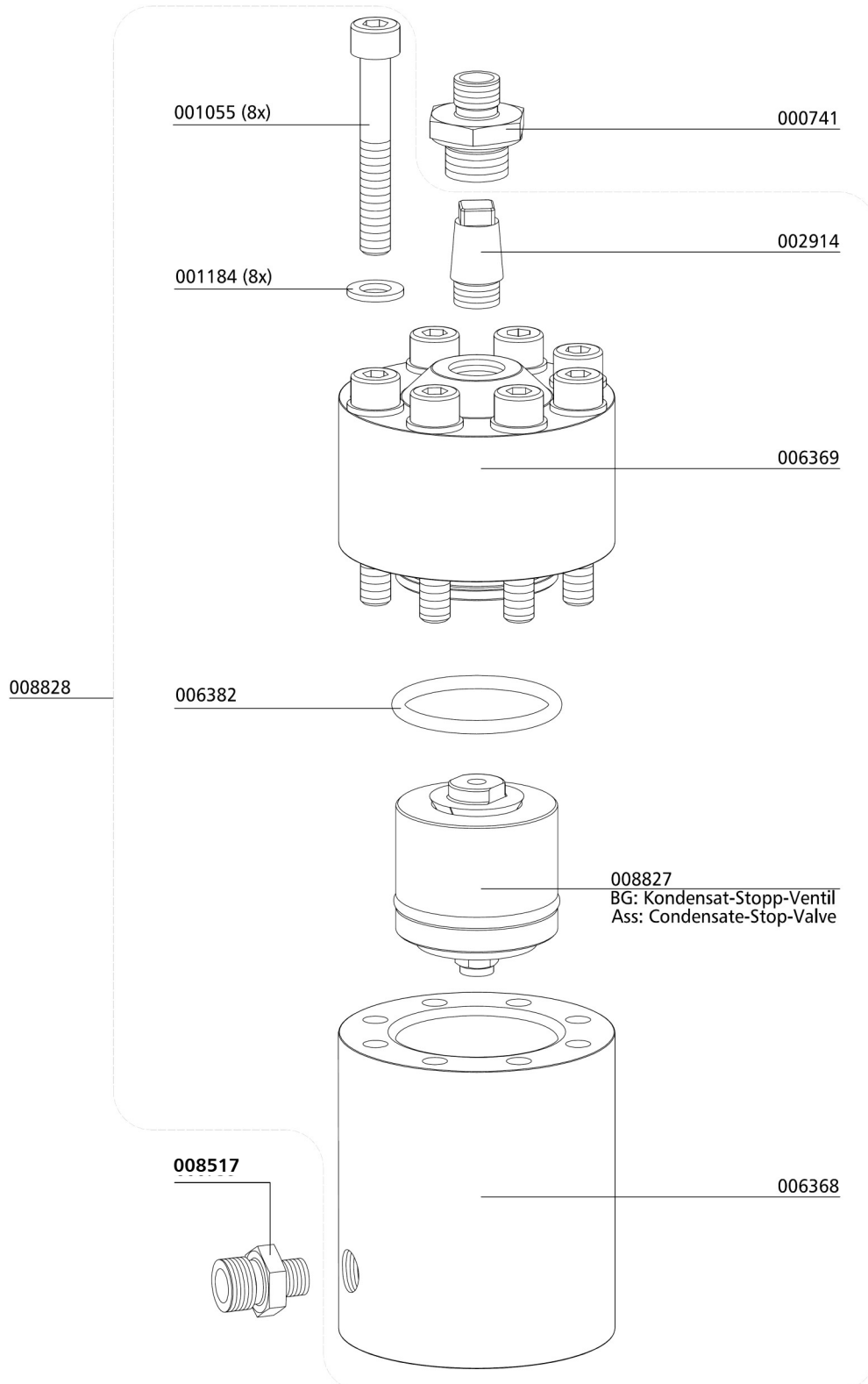
Spare Part List

Best.-Nr. / Order No.	Benennung	Description
000741	Verschraubung	Connection
001055	Zylinderschraube	Allen Bolt
001184	Schnorr-Scheibe	Clamp Washer S8
002914	Sinterfilter für Wasserabscheidersockel	Sintered filt. water sep. base
006368	Behälter Kondensat-Stopp-Ventil	Container Condensate-Stop-Valv
006369	Behälterdeckel Kondensat-Stopp-Ventil	Cover Condensate-Stop-Valve
006382	O-Ring	O-Ring
008517	Verschraubung	Connection
008827	Kondensat-Stopp-Ventil Einsatz	Condensate-Stop-Valve Assembly
008828	Kondensat-Stopp-Ventil kompl.	Condensate-Stop-Valve, compl.

D

AUTOMATIC CONDENSATION DRAIN STANDARD

Spare Part List



D



AUTOMATIC CONDENSATION DRAIN STANDARD

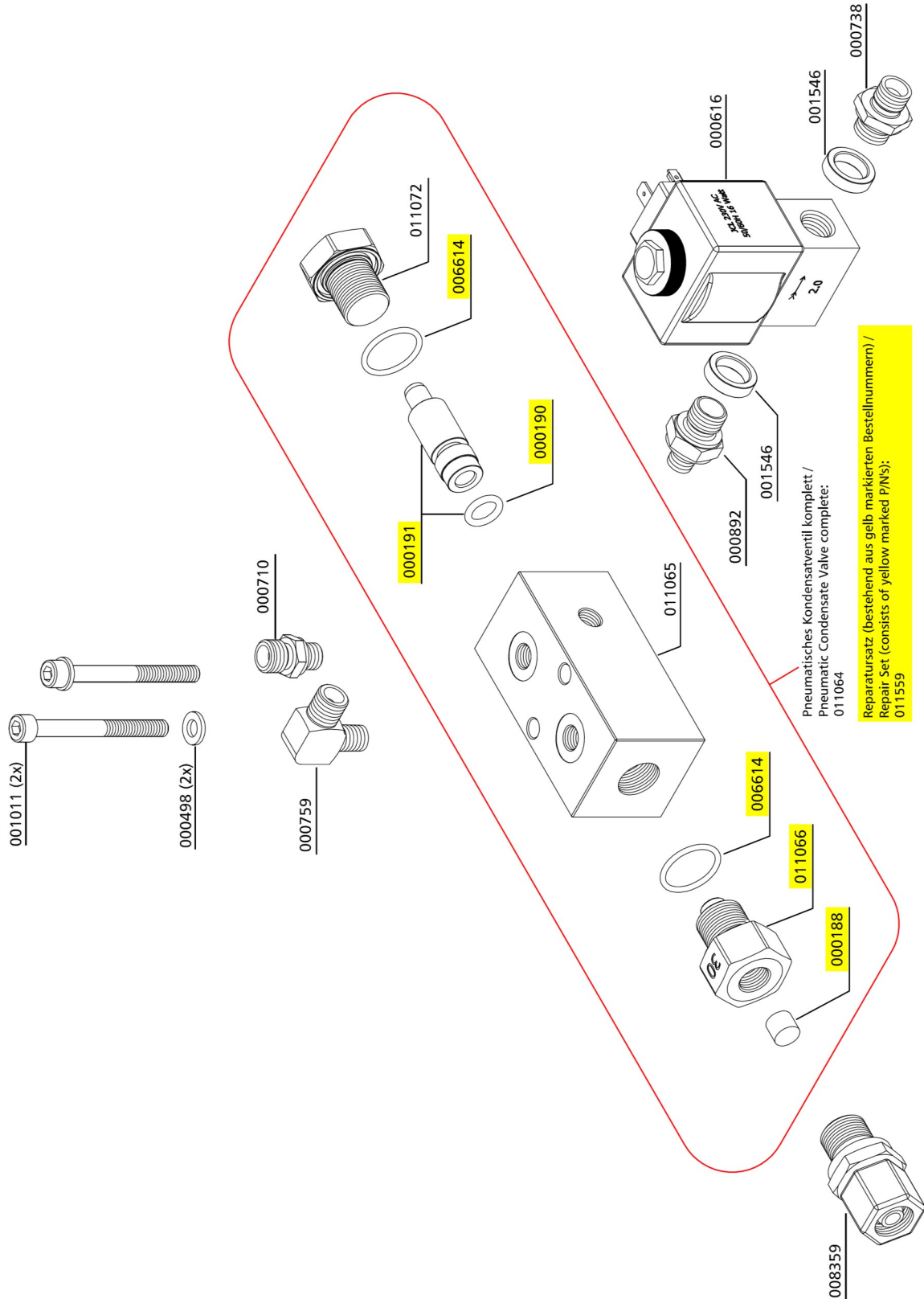
Spare Part List

Best.-Nr. / Order No.	Benennung	Description
000188	Sinterfilter, pneum. Kondensatventil	Sintered Filter
000190	O-Ring Pneumatisches Kondensatventil, Ø10 x 2,5 NBR90	O-Ring PCV, Ø10 x 2,5 NBR90
000191	Steuerkolben, pneum. Kondensatventil	Piston
000498	U-Scheibe A6	Washer A6
000616	Magnetventil 80 bar	Solenoid NC 80 bar G1/4" 230V
000710	Verschraubung	Connection w/o nut& olive seal
000738	Gerade Verschraubung	Straight Connection
000759	Verschraubung	Elbow connection c/w nut&olive
000892	Doppelnippel	Double Nipple
001011	Zylinderschraube	Allen Bolt
001546	Aludichtring für Magnetventile G1/4"	Alloy Seal Ring for G1/4" male
006614	O-Ring 6-kant Stopfen Kondensatventil Ø20 x 2 NBR90	O-Ring Ø20x2 NBR90
008359	Verschraubung EGE1/4"-08L .71 Edelstahl (s/s)	Connection fixed the nut EGE1/4"-08L .71 Edelstahl (s/s)
011064	Pneum. Kondensatablassventil, Düsen-schraube Ø3mm	Pneumatic Condensate Valve, Jet Screw type "30"
011065	Gehäuse, pneum. Kondensatventil	Housing PCV
011066	Düsen-schraube, pneum. Kondensatventil Ø3,0mm	Inlet Jet Screw, type "30"
011072	Verschlussstopfen, pneum. Kondensat-ventil	Plug PCV
011559	Reparatursatz pneum. Kondensatventil	Repair Kit Condensate Valve

D

AUTOMATIC CONDENSATION DRAIN STANDARD

Spare Part List



D



AUTOMATIC CONDENSATION DRAIN STANDARD

Spare Part List

Oil- / Water Separator 1st Stage

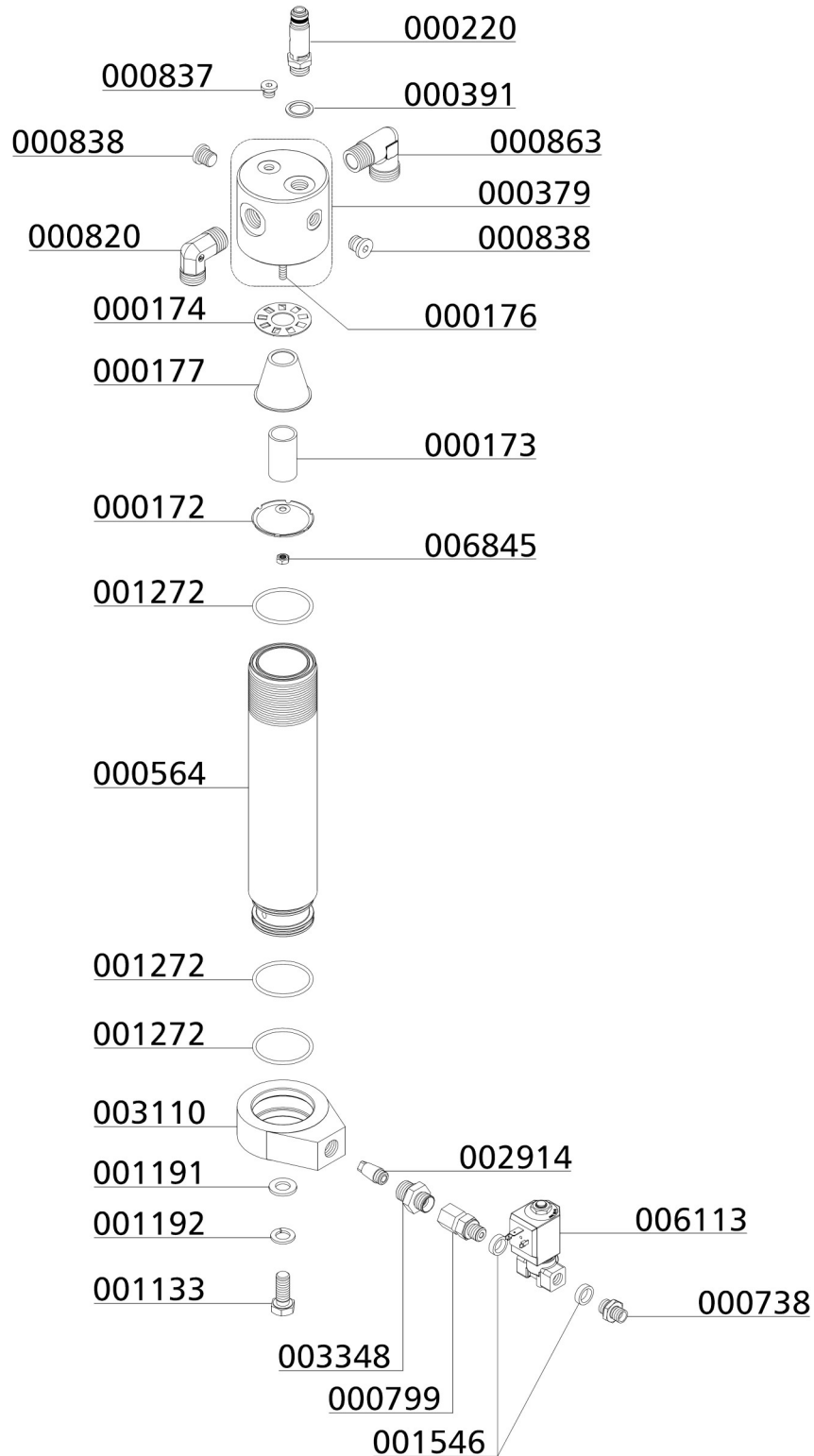
Best.-Nr. / Order No.	Benennung	Description
000177	Trichter f. Wasserabscheider	Water Deflector
000220	Sicherheitsventil G3/8"	Safety Valve G3/8" 8 bar
000379	Wasserabscheider - Oberteil G1/2" IG	Top Water Separator 1/2"female
000391	U-Sit Ring	Seal Ring U-Sit
000564	Öl-/Wasserabscheider - Druckbehälter	Container Water Separ.
000738	Gerade Verschraubung	Straight Connection
000799	Verschraubung	Connection with fixed nut
000820	Verschraubung	Connection
000837	Verschlussstopfen	Plug
000838	Verschlussstopfen	Plug
000869	Verschraubung	Connection
001133	6-kant Schraube	Hexagon Bolt M12x30
001191	U-Scheibe A12	Washer A12
001192	Federring A12	Spring Washer A12
001272	O-Ring	O-Ring Water separator
001546	Aludichtring für Magnetventile G1/4"	Alloy Seal Ring for G1/4" male
002914	Sinterfilter für Wasserabscheidersockel	Sintered filt. water sep. base
003110	Sockel Wasserabscheider	Water separator base
003348	Filterverschraubung für Wasserabscheider	Connec. for sintered filter
006113	Magnetventil 0-55 bar	Solenoid 0-55 bar
006845	Stopfmutter Edelstahl	Lock Nut M6 s/s

D

AUTOMATIC CONDENSATION DRAIN STANDARD

Spare Part List

Oil- / Water Separator 1st Stage



D



AUTOMATIC CONDENSATION DRAIN STANDARD

Spare Part List

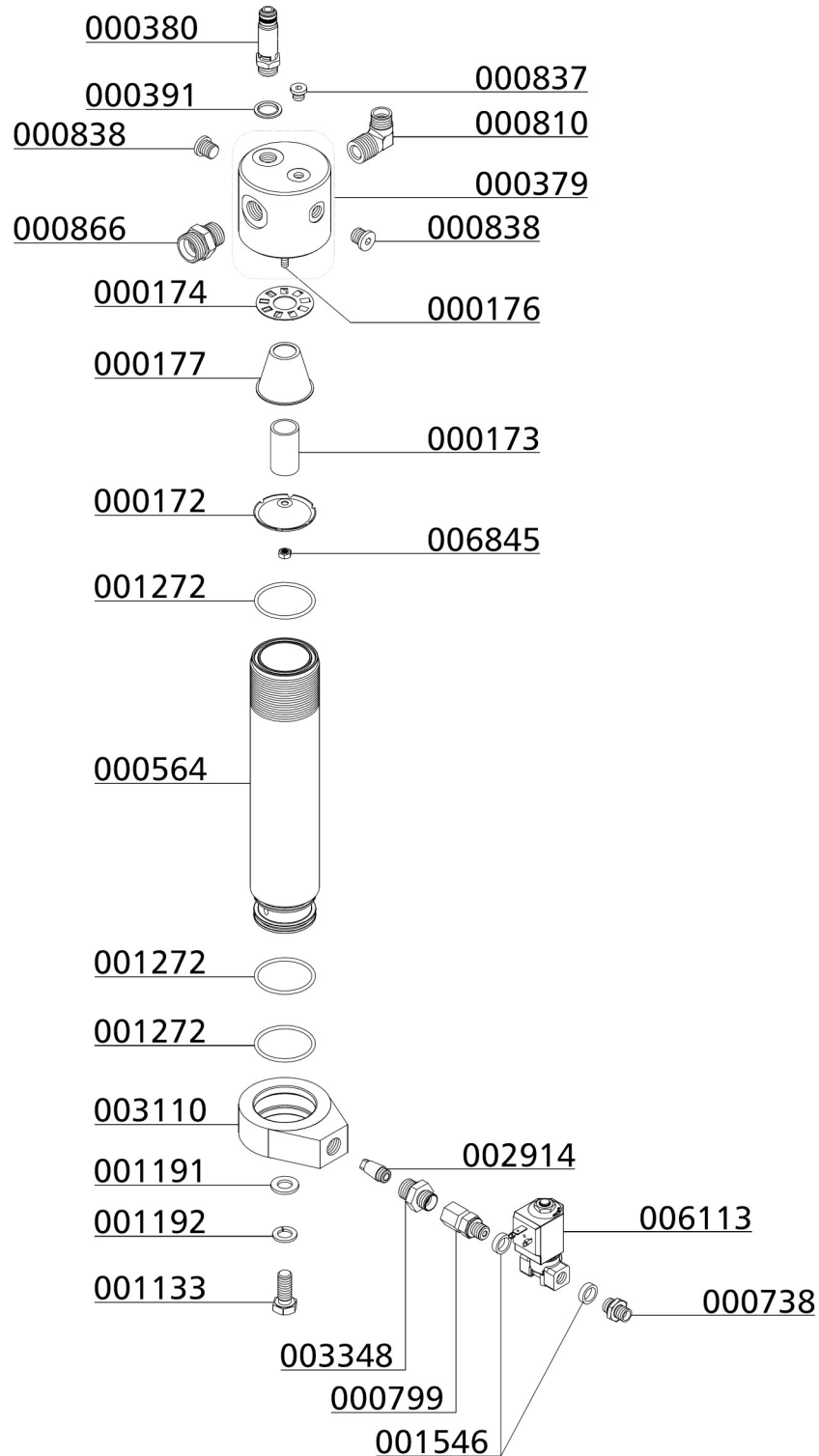
Oil- / Water Separator 2nd Stage

Best.-Nr. / Order No.	Benennung	Description
000172	Prallscheibe	Mounting plate water separator
000173	Sinterfilter Wasserabscheider	Sintered Filter Water separat.
000174	Drallscheibe, Wasserabscheider	Twist Disk, Water separator
000176	Stiftschraube, Wasserabscheider 2. Stufe	Treaded Stud
000177	Trichter f. Wasserabscheider	Water Deflector
000379	Wasserabscheider - Oberteil G1/2" IG	Top Water Separator 1/2"female
000380	Sicherheitsventil G3/8"	Safety Valve G3/8" 22 bar
000391	U-Sit Ring	Seal Ring U-Sit
000564	Öl-/Wasserabscheider - Druckbehälter	Container Water Separ.
000738	Gerade Verschraubung	Straight Connection
000799	Verschraubung	Connection with fixed nut
000810	Verschraubung	Connection
000837	Verschlussstopfen	Plug
000838	Verschlussstopfen	Plug
000866	Verschraubung	Connection
001133	6-kant Schraube	Hexagon Bolt M12x30
001191	U-Scheibe A12	Washer A12
001192	Federring A12	Spring Washer A12
001272	O-Ring	O-Ring Water separator
001546	Aludichtring für Magnetventile G1/4"	Alloy Seal Ring for G1/4" male
002914	Sinterfilter für Wasserabscheidersockel	Sintered filt. water sep. base
003110	Sockel Wasserabscheider	Water separator base
003348	Filterverschraubung für Wasserabscheider	Connec. for sintered filter
006113	Magnetventil 0-55 bar	Solenoid 0-55 bar
006845	Stopfmutter Edelstahl	Lock Nut M6 s/s

AUTOMATIC CONDENSATION DRAIN STANDARD

Spare Part List

Oil- / Water Separator 2nd Stage



D



AUTOMATIC CONDENSATION DRAIN STANDARD

Spare Part List

Oil- / Water Separator 3rd Stage

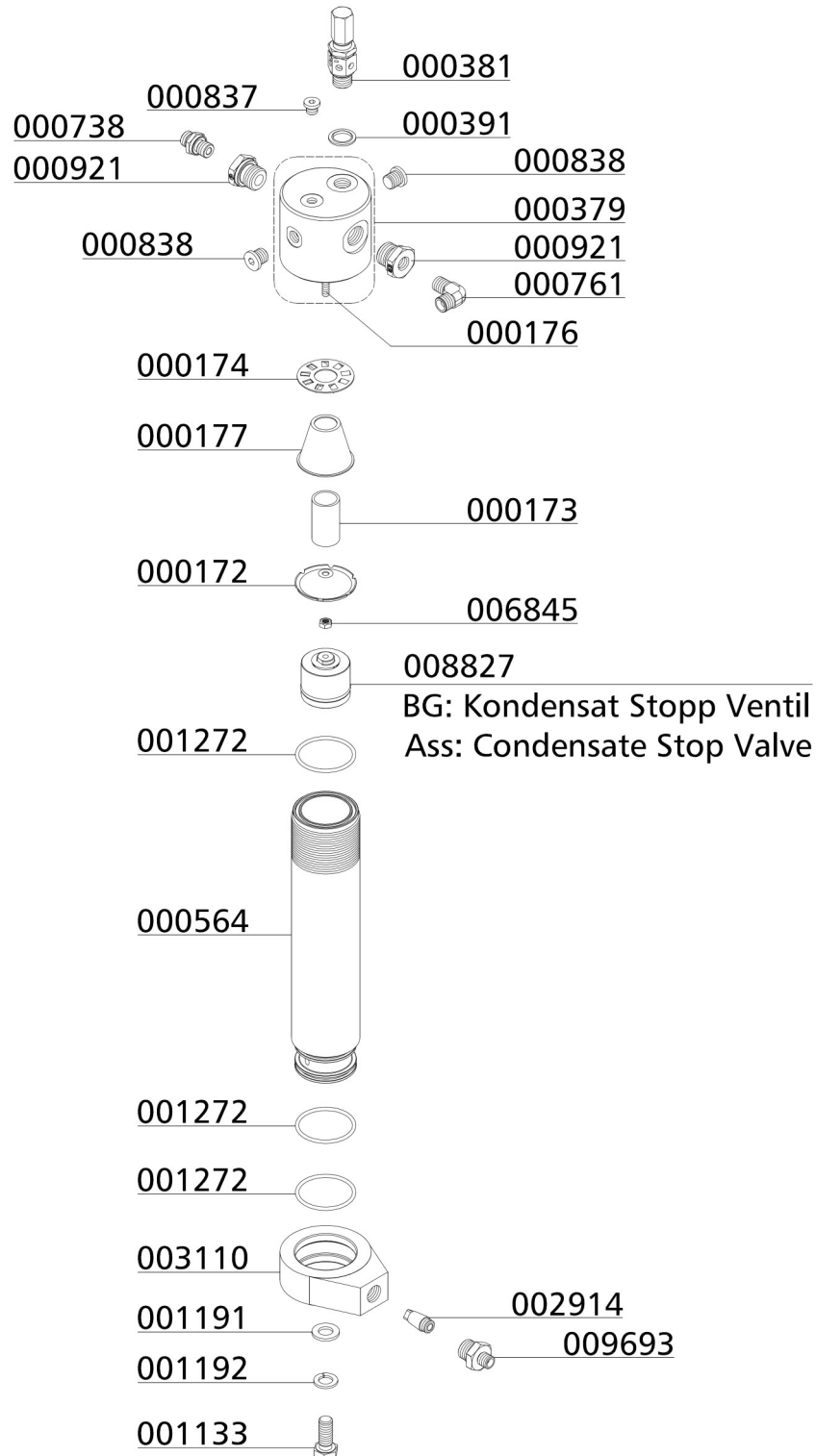
Best.-Nr. / Order No.	Benennung	Description
000172	Prallscheibe	Mounting plate water separator
000173	Sinterfilter Wasserabscheider	Sintered Filter Water separat.
000174	Drallscheibe, Wasserabscheider	Twist Disk, Water separator
000176	Stiftschraube, Wasserabscheider 2. Stufe	Treaded Stud
000177	Trichter f. Wasserabscheider	Water Deflector
000379	Wasserabscheider - Oberteil G1/2" IG	Top Water Separator 1/2"female
000381	Sicherheitsventil G3/8"	Safety Valve G3/8" 90 bar
000391	U-Sit Ring	Seal Ring U-Sit
000564	Öl-/Wasserabscheider - Druckbehälter	Container Water Separ.
000738	Gerade Verschraubung	Straight Connection
000761	Winkelverschraubung	Elbow Connection
000837	Verschlussstopfen	Plug
000838	Verschlussstopfen	Plug
000921	Reduzierung	Reducer
001133	6-kant Schraube	Hexagon Bolt M12x30
001191	U-Scheibe A12	Washer A12
001192	Federring A12	Spring Washer A12
001272	O-Ring	O-Ring Water separator
002914	Sinterfilter für Wasserabscheidersockel	Sintered filt. water sep. base
003110	Sockel Wasserabscheider	Water separator base
006845	Stopfmutter Edelstahl	Lock Nut M6 s/s
008827	Kondensat-Stopp-Ventil Einsatz	Condensate-Stop-Valve Assembly
009693	Filterverschraubung für Wasserabscheider	Connec. for sintered filter

D

AUTOMATIC CONDENSATION DRAIN STANDARD

Spare Part List

Oil- / Water Separator 3rd Stage



D



AUTOMATIC CONDENSATION DRAIN STANDARD

Spare Part List

Condensate-Catch-Tank

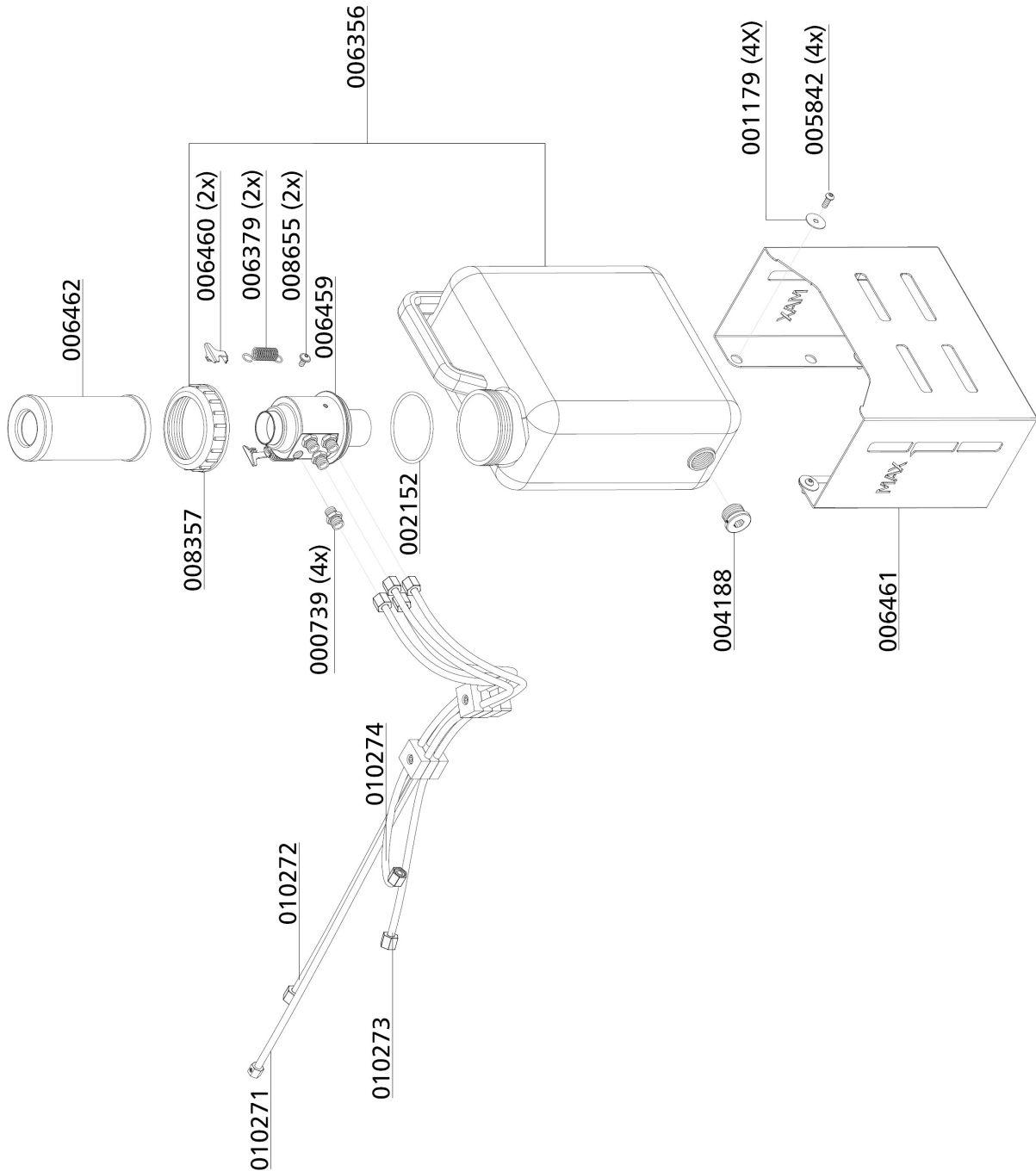
Best.-Nr. / Order No.	Benennung	Description
000739	Verschraubung	Connection
001179	U-Scheibe A6	Washer A6
002152	O-Ring	O-Ring
004188	Verschlusschraube G3/4	Plug G3/4
005842	Linsenflanschschraube mit Innensechskant	Lens Head Screw
006356	Kondensatbehälter 10 Liter	Condensate Catch Tank 10 Litre
006379	Zugfeder Kondensatfilterpatrone	Spring Condensate Filter Cartr
006459	Adapter Kondensatbehälter	Adapter Condensate Catch Tank
006460	Federspannblech Kondensatbehälter	Spring Clamping Plate CCT
006461	Halteblech Kondensatbehälter	Bracket Condensate Catch Tank
006462	Filter Kondensatbehälter	Filter Condensate Catch Tank
008357	Verschlusskappe für 006356	Cap for Condensate Catch Tank
008655	Linsenflanschschraube mit Innensechskant	Lens Head Screw
010271	Kondensatschlauch, Ø8x1,5, L: 1126mm	Condensate Hose Ø8x1,5x1126mm
010272	Kondensatschlauch, Ø8x1,5, L: 1012mm	Condensate Hose Ø8x1,5x1012mm
010273	Kondensatschlauch, Ø8x1,5, L: 883mm	Condensate Hose Ø8x1,5x883mm
010274	Kondensatschlauch, Ø8x1,5, L: 1094mm	Condensate Hose Ø8x1,5x1094mm

D

AUTOMATIC CONDENSATION DRAIN STANDARD

Spare Part List

Condensate-Catch-Tank



D

AUTOMATIC CONDENSATION DRAIN STANDARD

Spare Part List

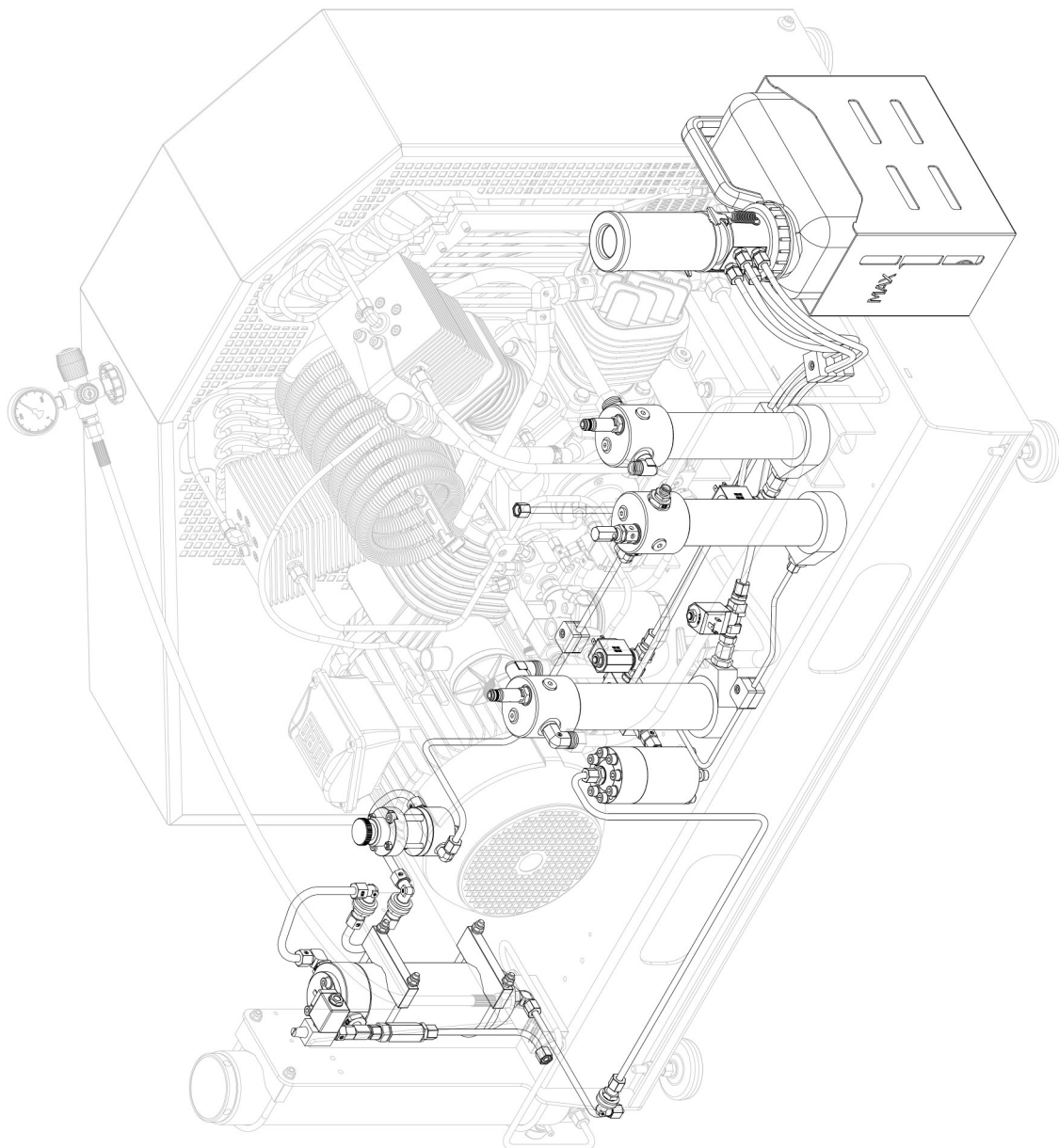
Best.-Nr. / Order No.	Benennung	Description
002089	Betriebsstundenzähler	Hour counter
002502	Kondensat Test Schalter	Drain test switch
002942	START/STOP Schalter mit LED	Start/Stop switch c/w LED
003121	NOT-AUS Schalter	Emergency switch
004704	Warnlampe	Warning Lamp
005670	Einlegeschild Kondensat Test	Label Drain Test
006859	Schildträger	Label holder
006925	Einlegeschild Motorschutz	Label Motor protect

D



AUTOMATIC CONDENSATION DRAIN STANDARD

Spare Part List



D



AUTOMATIC CONDENSATION DRAIN STANDARD

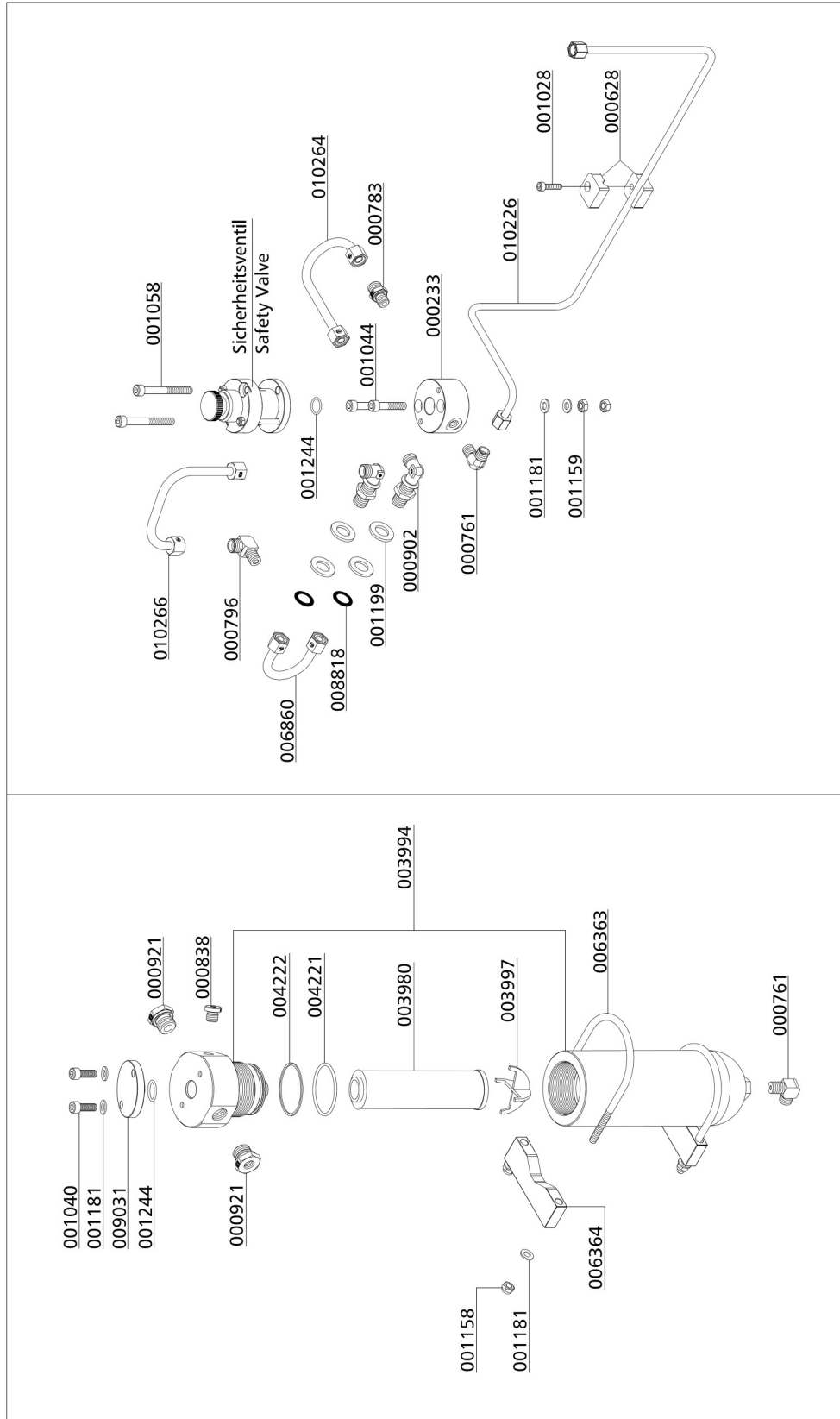
Spare Part List

Best.-Nr. / Order No.	Benennung	Description
000233	Sockel für Sicherheitsventil mit TÜV/CE	Base f. Safety Valve TÜV type
000628	Einfachselle 1 x 8mm 1 Paar	Pipe Clamp 1x8mm 1pair PVC
000761	Winkerverschraubung	Elbow Connection
000783	Verschraubung	Straight Connection
000796	Verschraubung	Elbow Connection
000838	Verschlussstopfen	Plug
000902	Winkelschottverschraubung	Elbow Bulkhead Fitting
000921	Reduzierung	Reducer
001028	Zylinderschraube	Allen Bolt
001040	Zylinderschraube	Allen Screw
001044	Zylinderschraube	Allen Screw
001058	Zylinderschraube	Allen Bolt
001158	Mutter	Nut M8
001159	Stopfmutter	Lock Nut M8
001181	U-Scheibe A8	Washer A8
001199	U-Scheibe A17	Washer A17
001244	O-Ring	O-Ring, flange safety valve
003980	Filterelement	Filter water separator 0.8 Ltr
003994	Filterbehälter 350 bar, V: 0,8 ltr	Filter Unit 0.8 ltr / 350 bar
003997	Filterstütze Partikelfilter 0,8 ltr	Filter support 0,8 ltr
004221	O-Ring	O-Ring
004222	Stützring	Back-up Ring
006363	Haltebügel Filtergehäuse 0,8 Liter	U-Clamp Filterhousing 0.8 Ltr
006364	Halteschalen Filtergehäuse 0,8 Liter	Bracket Filter Housing 0.8 ltr
006860	Rohrbogen 180° - 10L inkl. Muttern	U-Connection 180° - 10L Pipe
008818	Schnorr-Scheibe S16	Clamp Washer S16
009031	Verschlussstopfen	Plug for CE Safety Valve Base
010226	Rohrleitung Ø8mm, komplett mit M.&S.	Pipe Ø8mm
010264	Rohrleitung Ø10mm, komplett mit M.&S.	Pipe Ø10mm
010266	Rohrleitung Ø10mm, komplett mit M.&S.	Pipe Ø10mm

D

AUTOMATIC CONDENSATION DRAIN STANDARD

Spare Part List



D



**200 / 300 BAR
PARALLEL FILLING
PRESSURE OPERATION**

D

200 / 300 BAR PARALLEL FILLING PRESSURE OPERATION

200 bar / 300 bar Parallel Filling Pressure Operation

This option allows the filling of 200 bar and 300 bar at the same time.

In this case, the compressor is equipped with a pressure reducer, a second final pressure safety valve and a second filling pressure gauge.

The handwheels or gaiters are colour-coded to allow an optical differentiation:

- 200 bar: black
- 300 bar: red

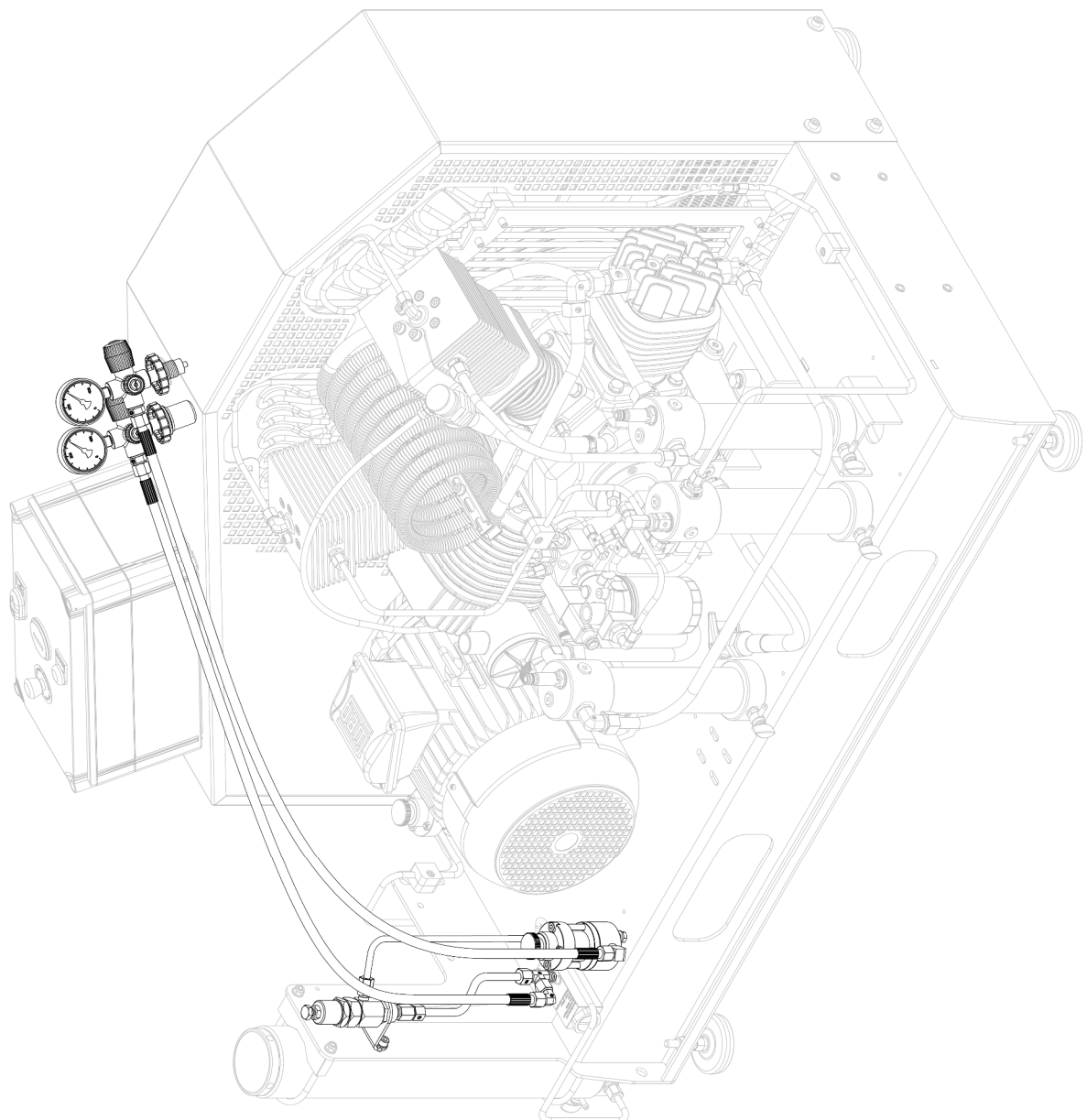
Furthermore, the corresponding filling pressures at the compressor are marked with labels.



DIN handwheels 200 bar and 300 bar

200 / 300 BAR PARALLEL FILLING PRESSURE OPERATION

Spare Part List



D



200 / 300 BAR PARALLEL FILLING PRESSURE OPERATION

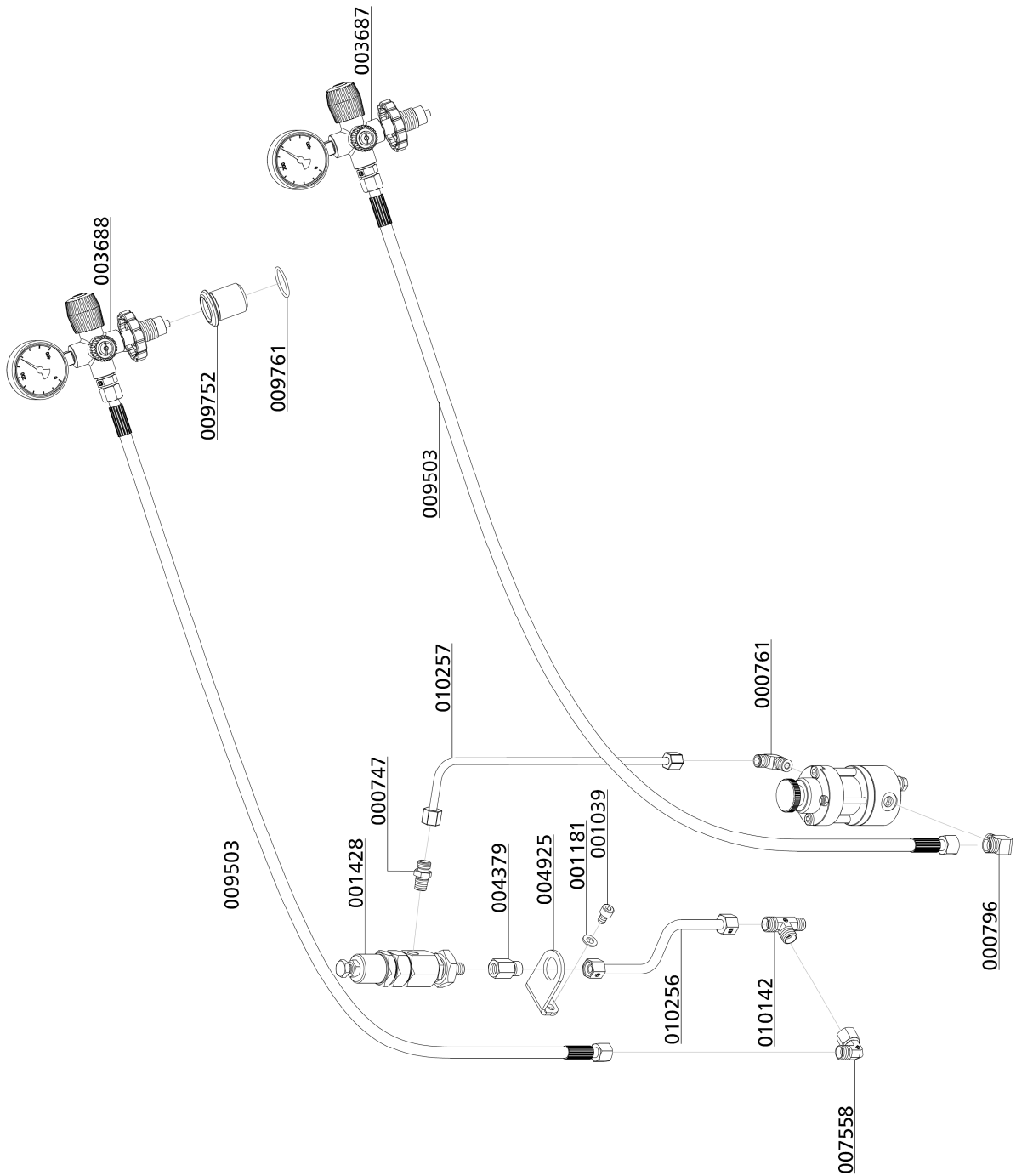
Spare Part List

Best.-Nr. / Order No.	Benennung	Description
000203	Druckschalter, G1/4" IG, PV 50 - 350 bar	Pressure Switch 50-350 bar
000747	Gerade Verschraubung	Straight Connection
000761	Winkelverschraubung	Elbow Connection
000796	Verschraubung	Elbow Connection
000799	Verschraubung mit fester Mutter	Connection with fixed nut
001039	Zylinderschraube	Allen Bolt
001181	U-Scheibe A8	Washer A8
001428	Druckminderer "High Flow" einstellbar	Pressure Reducer-Bolt version
003687	Füllventil Kreuzbauweise 100-450 Compact	Filling Valve cross(c/w gauge)
003688	Füllventil Kreuzbauweise 100-450 Compact	Filling Valve cross(c/w gauge)
004379	Verschraubung - Edelstahl	Connect.(inlet press. reducer)
004925	Halterung für Druckminderer 001428	Bracket Pressure Reducer HF
007558	Verschraubung	Connection
009503	Hochdruckschlauch	HP-Hose 1500 mm
009752	Steckhalter Kreuzventil	Holder Filling Valve cross
009761	O-Ring	O-Ring
009827	Verschraubung T-Stück mit fester Mutter "seitlich"	T-Connection
010142	Verschraubung	T-Connection with 1/4" radial
010256	Rohrleitung Ø10mm, komplett mit M.&S.	Pipe Ø8mm
010257	Rohrleitung Ø8mm, komplett mit M.&S.	Pipe Ø8mm

D

200 / 300 BAR PARALLEL FILLING PRESSURE OPERATION

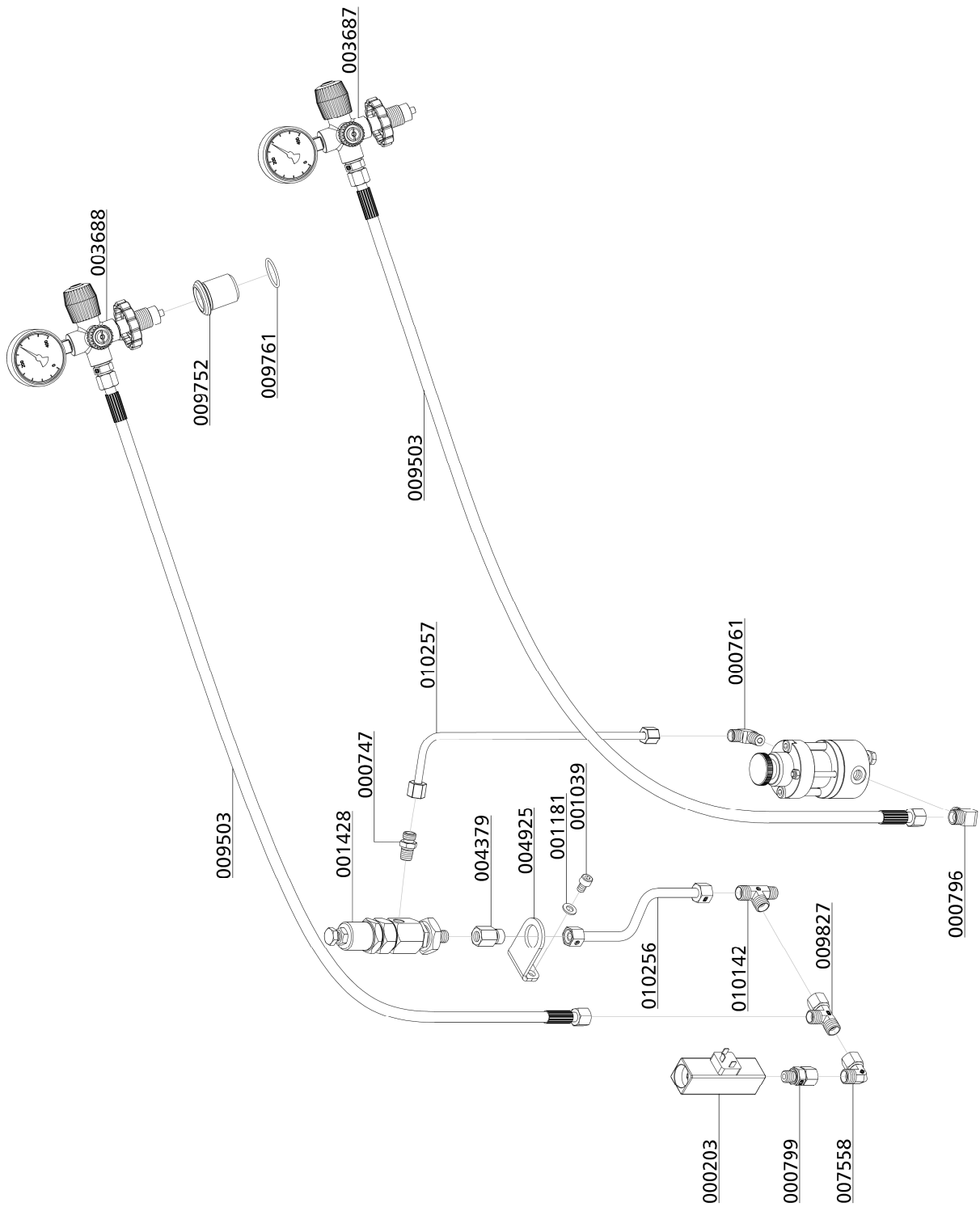
Spare Part List / Option Parallel Filling Pressure Operation



D

200 / 300 BAR PARALLEL FILLING PRESSURE OPERATION

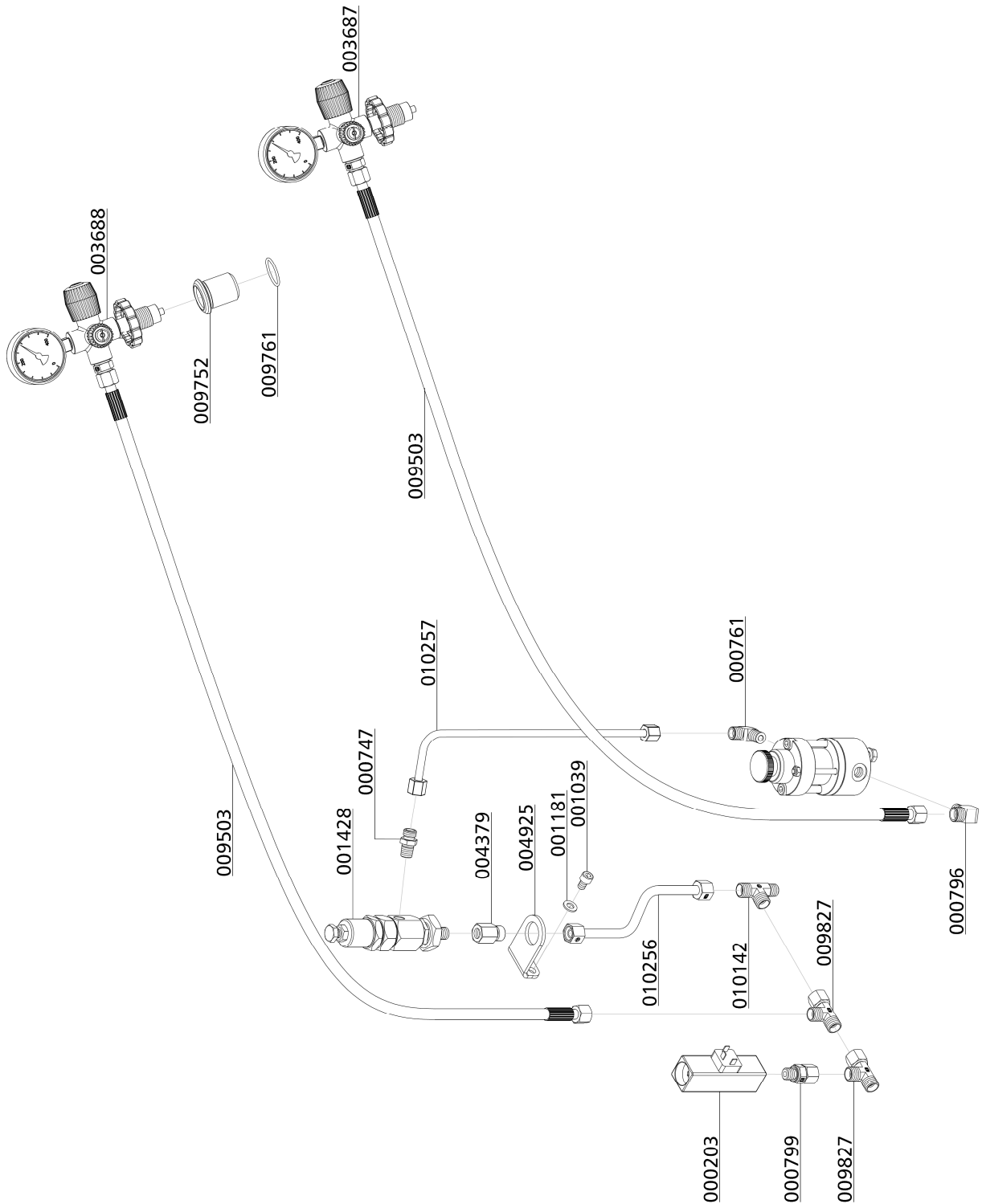
Spare Part List / Option Parallel Filling Pressure Operation with Auto Start Function



D

200 / 300 BAR PARALLEL FILLING PRESSURE OPERATION

Spare Part List / Option Parallel Filling Pressure Operation with Auto Start Function & Additional High Pressure Outlet



D



PURACON FILTER MONITORING

D

PURACON FILTER MONITORING

Puracon Filter Monitoring

The usage of a humidity controller is the most reliable and economic method for filter monitoring.

Puracon Stationary PRO

Puracon Stationary PRO is the professional solution for humidity monitoring during the filling procedure. The PRO version provides separated sensor and display unit. The sensor is connected directly to the high-pressure line after the humidity filter and is linked to the display unit via a data cable.



Puracon Stationary PRO

Specifications

- Stainless steel sensor housing with screw joint and G $\frac{1}{4}$ " inlet and outlet
- Display unit (120 x 120 x 60 mm) for wall mounting with sensor cable (length: 2 m)
- Power supply cable (length: 1.2 m) with CE plug 230 V AC ~ 50/60 Hz (12/24V DC versions available)
- Digital LCD display with humidity display in mg/m 3 and error warnings
- Pressure compensation
- 3 monitoring LEDs, adjustable limits
- Language can be selected in German, English, French or Spanish
- Sensor cables with 5, 10, 15 or 30 m available for surcharge
- Approved up to 420 bar

Available Versions

- 230 V AC, 12 V DC, 24 V DC
- Ex with ATEX certification

Technical Data	Puracon Stationary PRO
Operating pressure	150 to 420 bar - adjustable pressure range
Power supply	240VAC / optional 12V or 24VDC
Connector	Sensor: G1/4 thread
Protection rating	IP64
Operating temperature	-10°C to +40°C



PURACON FILTER MONITORING

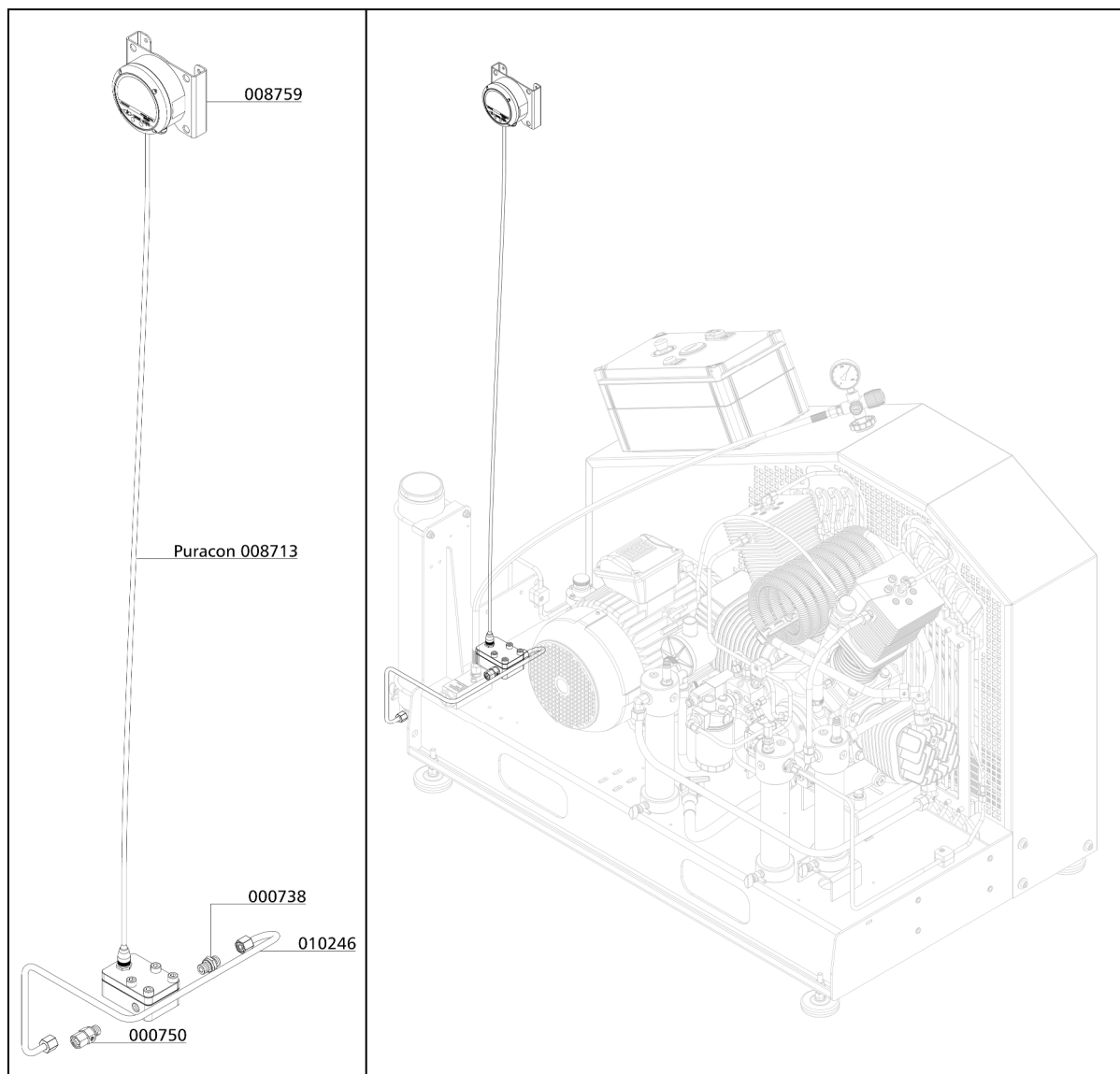
Spare Part List

Best.-Nr. / Order No.	Benennung	Description
000203	Druckschalter, G1/4" IG, PV 50 - 350 bar	Pressure Switch 50-350 bar
000738	Gerade Verschraubung	Straight Connection
000750	Verschraubung	Connection with fixed nut
005043	Verschraubung	T-Connection
008459	Kronenschraube Sicherheitsventil	
008713	Puracon Stationary Pro SP350, mit Sensor	Puracon SP350 Humidity Control
010246	Rohrleitung Ø8mm, komplett mit M.&S.	Pipe Ø8mm
010247	Rohrleitung Ø8mm, komplett mit M.&S.	Pipe Ø8mm

D

PURACON FILTER MONITORING

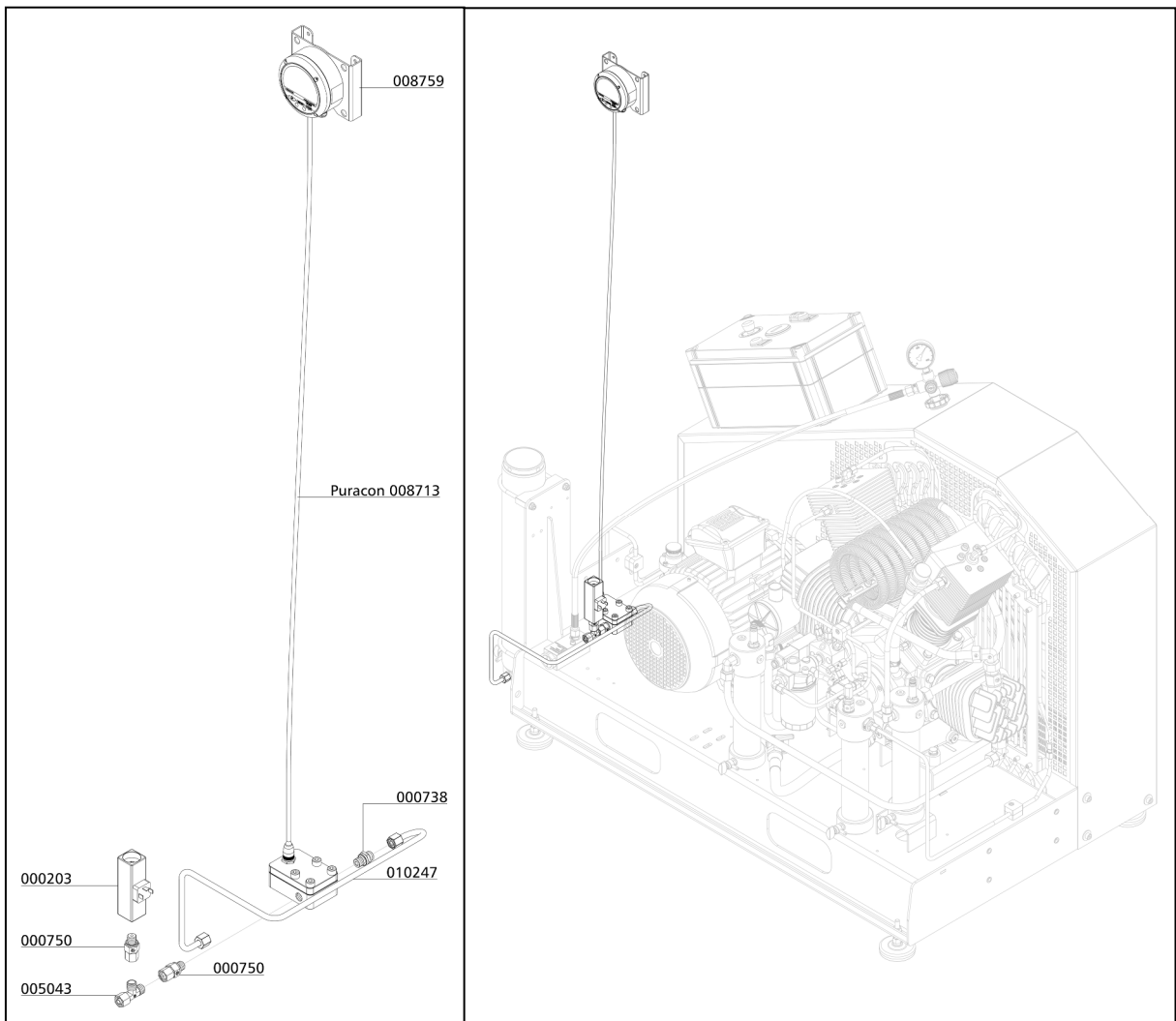
Spare Part List



D

PURACON FILTER MONITORING

Spare Part List



D



PURACON CONNECTION KIT

D



PURACON CONNECTION KIT

Puracon Connection Kit

The Puracon Connection Kit provides an easy connection and a simple and time-saving installation or backfitting.

The piping inside the compressor is completely installed. Just disconnect the pipe and connect the Puracon according to the following drawing.

To operate the unit without Puracon, reinstall the pipe and the compressor is ready for use.

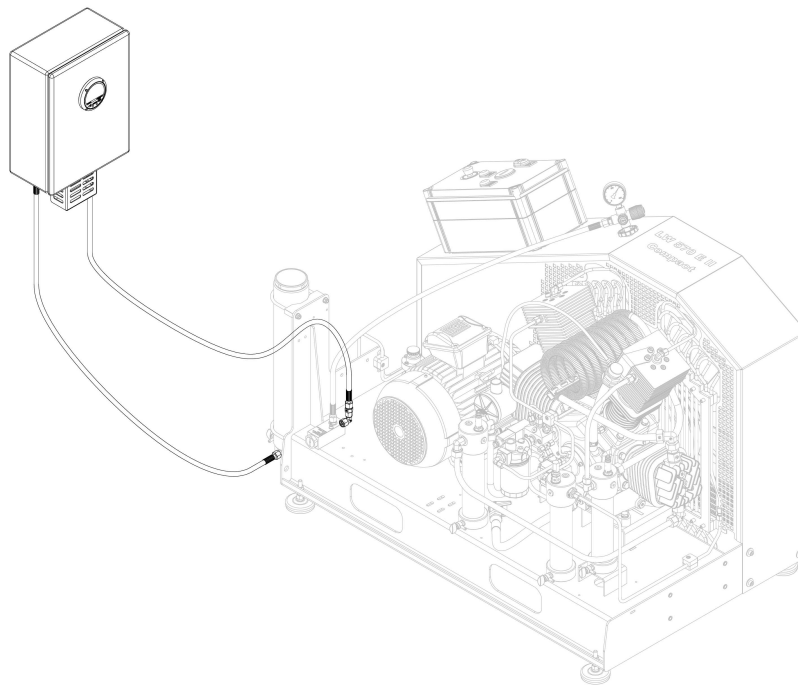
Spare Part List

Best.-Nr. / Order No.	Benennung	Description
002283	Verschraubung	Elbow Connection w. fixed nut
003073	Hochdruckschlauch	HP-Hose
010370	Reduzierung, mit fester Mutter	Reducer with fixed nut

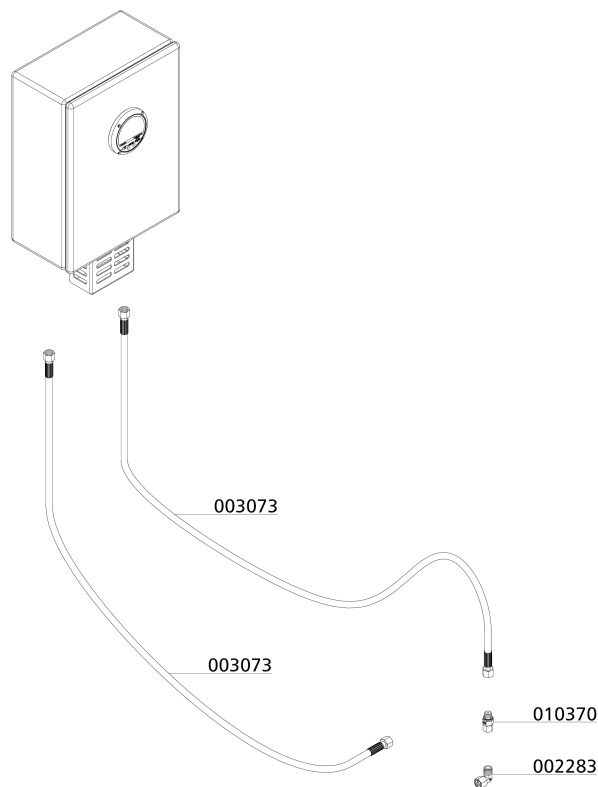
D

PURACON CONNECTION KIT

Spare Part List



D





AIR COOLER CONNECTION KIT

D

AIR COOLER CONNECTION KIT

Air Cooler Connection Kit

The Air Cooler Connection Kit provides an easy connection and a simple and time-saving installation or backfitting.

The piping inside the compressor is completely installed. Just disconnect the U-pipe at the outside and connect the air cooler according to the connection designation (inlet/outlet).

To operate the unit without air cooler, reinstall the U-pipe and the compressor is ready for use.



Air cooler connection kit

D



AIR COOLER CONNECTION KIT

Spare Part List

Best.-Nr. / Order No.	Benennung	Description
000233	Sockel für Sicherheitsventil mit TÜV/CE	Base f. Safety Valve TÜV type
000628	Einfachschelle 1 x 8mm 1 Paar	Pipe Clamp 1x8mm 1pair PVC
000761	Winkelverschraubung	Elbow Connection
000783	Verschraubung	Straight Connection
000796	Verschraubung	Elbow Connection
000838	Verschlussstopfen	Plug
000902	Winkelschottverschraubung	Elbow Bulkhead Fitting
000921	Reduzierung	Reducer
001028	Zylinderschraube	Allen Bolt
001040	Zylinderschraube	Allen Screw
001044	Zylinderschraube	Allen Screw
001058	Zylinderschraube	Allen Bolt
001158	Mutter	Nut M8
001159	Stopfmutter	Lock Nut M8
001181	U-Scheibe A8	Washer A8
001199	U-Scheibe A17	Washer A17
001244	O-Ring	O-Ring, flange safety valve
003077	Entwässerungsventil G1/4" AG, konisch	Drain Valve G1/4" male
003980	Filterelement	Filter water separator 0.8 Ltr
003994	Filterbehälter 350 bar, V: 0,8 ltr	Filter Unit 0.8 ltr / 350 bar
003997	Filterstütze Partikelfilter 0,8 ltr	Filter support 0,8 ltr
004221	O-Ring	O-Ring
004222	Stützring	Back-up Ring
006363	Haltebügel Filtergehäuse 0,8 Liter	U-Clamp Filterhousing 0.8 Ltr
006364	Halteschalen Filtergehäuse 0,8 Liter	Bracket Filter Housing 0.8 ltr
006860	Rohrbogen 180° - 10L inkl. Muttern	U-Connection 180° - 10L Pipe
008818	Schnorr-Scheibe S16	Clamp Washer S16
009031	Verschlussstopfen	Plug for CE Safety Valve Base
010226	Rohrleitung Ø8mm, komplett mit M.&S.	Pipe Ø8mm

D



AIR COOLER CONNECTION KIT

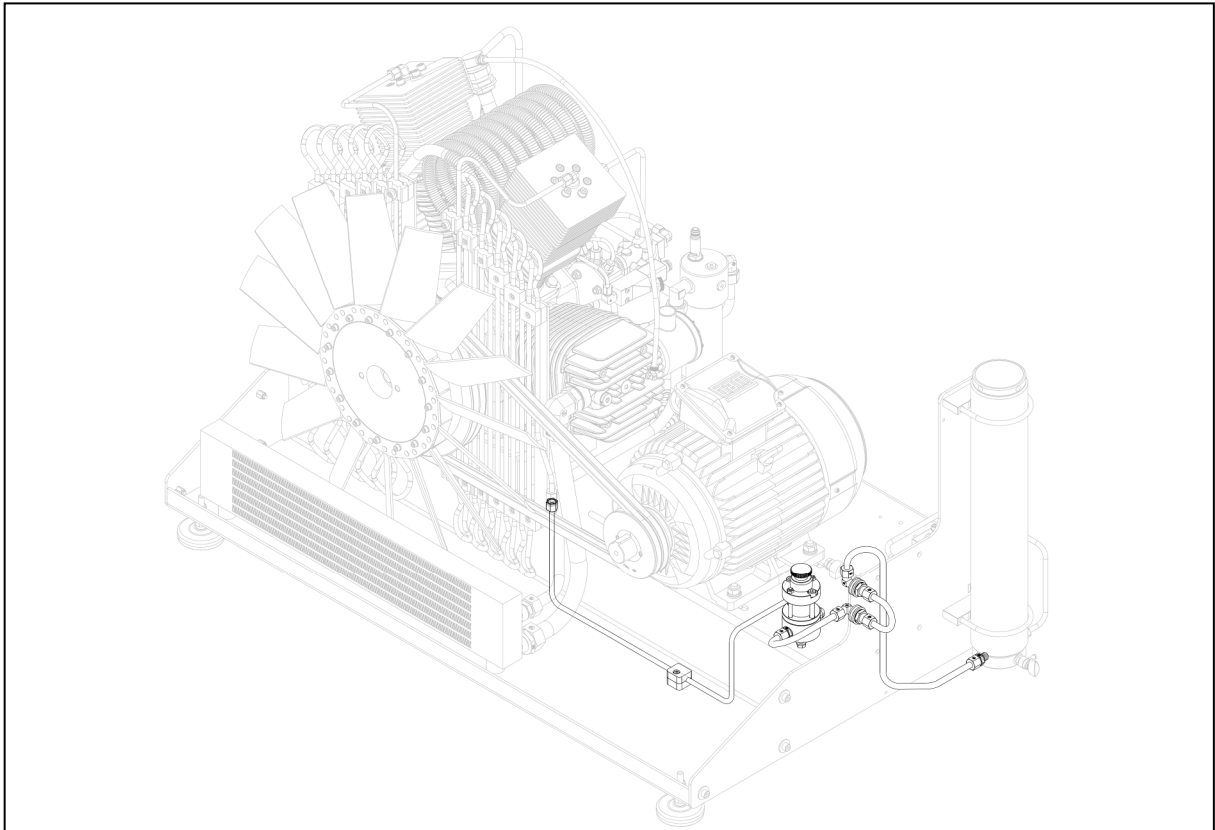
Spare Part List

Best.-Nr. / Order No.	Benennung	Description
010259	Rohrleitung Ø8mm, komplett mit M.&S.	Pipe Ø8mm
010264	Rohrleitung Ø10mm, komplett mit M.&S.	Pipe Ø10mm
010265	Rohrleitung Ø10mm, komplett mit M.&S.	Pipe Ø10mm
010266	Rohrleitung Ø10mm, komplett mit M.&S.	Pipe Ø10mm

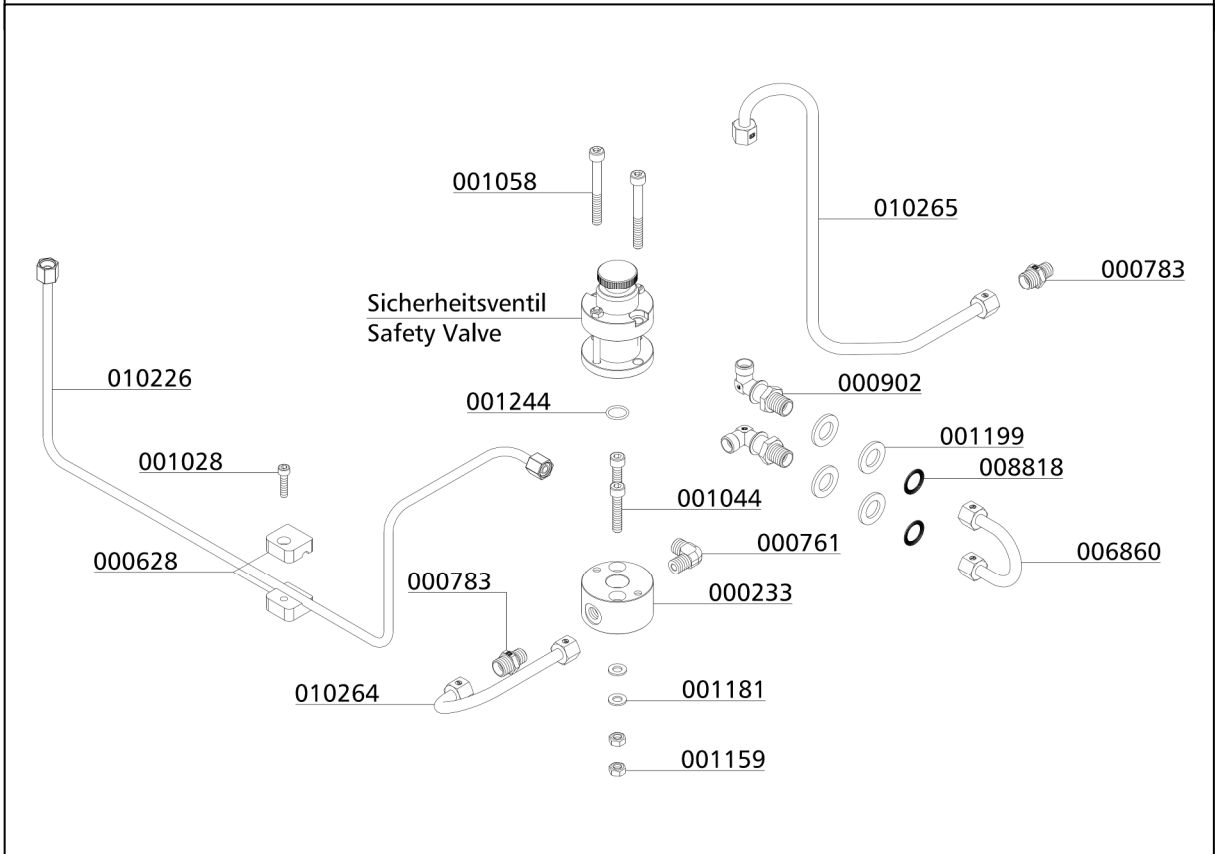
D

AIR COOLER CONNECTION KIT

Spare Part List

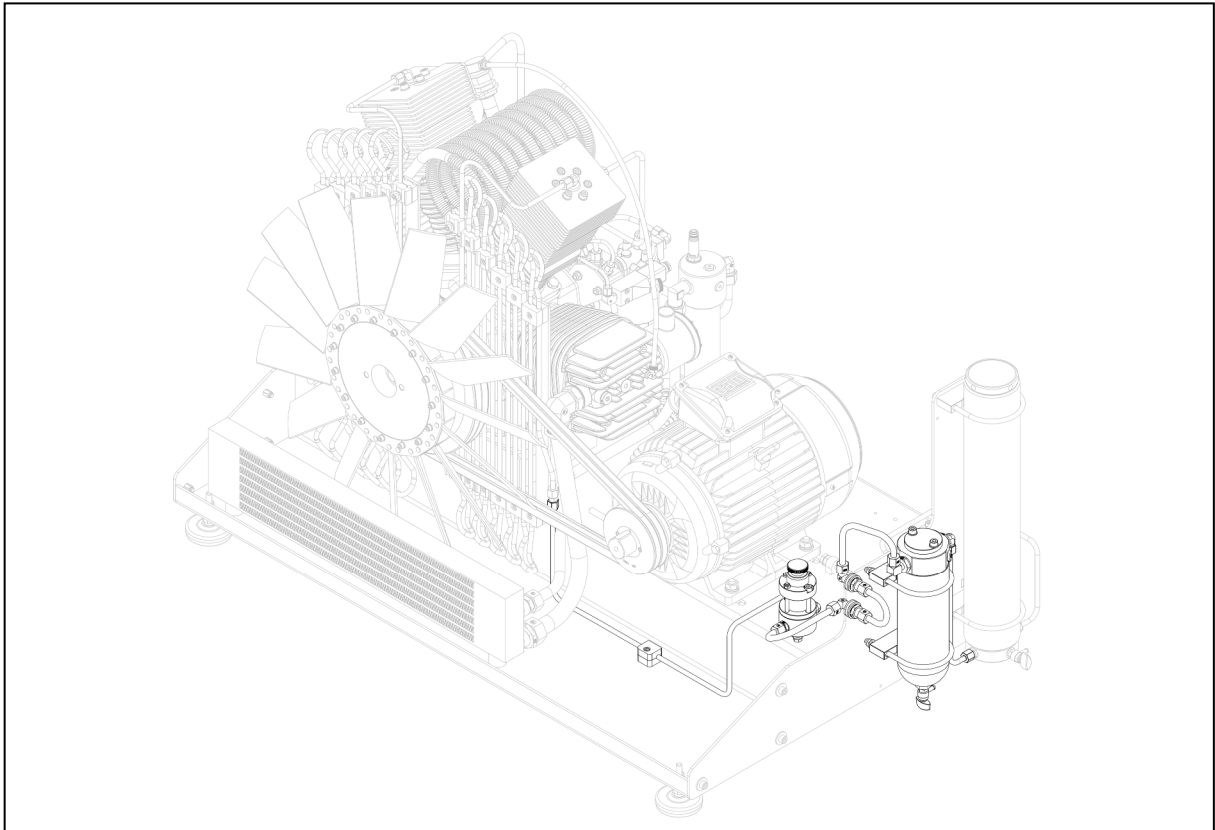


D

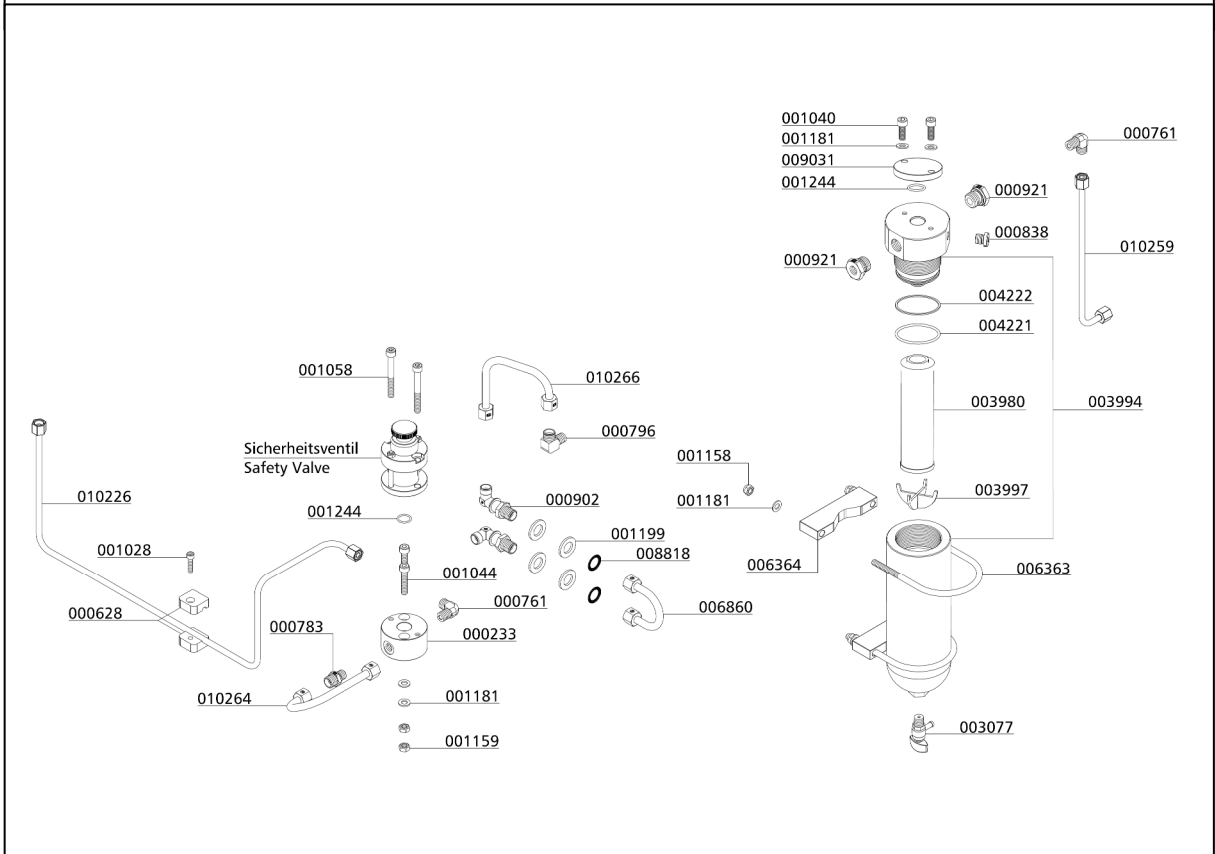


AIR COOLER CONNECTION KIT

Spare Part List



D





BLOCK HEATING DEVICE

D

BLOCK HEATING DEVICE

Block Heating Device

Option "Block Heater" enables to run the compressor unit at temperatures below +5°C.

Block heater is controlled by a temperature sensor, which ensures that oil temperature is always at least +12°C. Above +12°C oil heater unit is deactivated.

If oil temperature is below +12°C (in case that power supply has been turned off), compressor can not be started until oil temperature has reached at least +12°C.

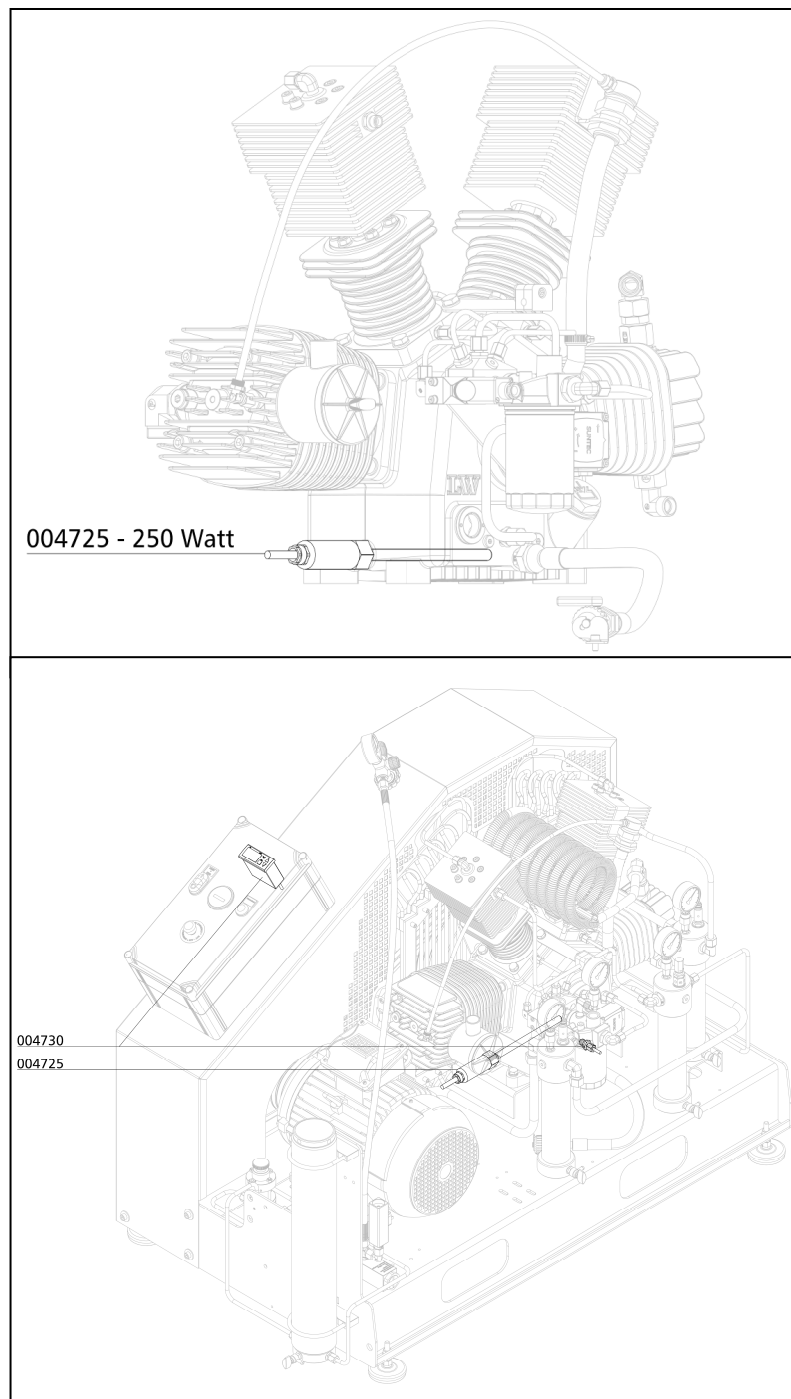


D

BLOCK HEATING DEVICE

Spare Part Lists

Best.-Nr. / Order No.	Benennung	Description
004725	Heizstab Blockheizung	Heater bar, compressor block
004730	Temperaturanzeige digital inkl. Sensor	Temperature digital display



D



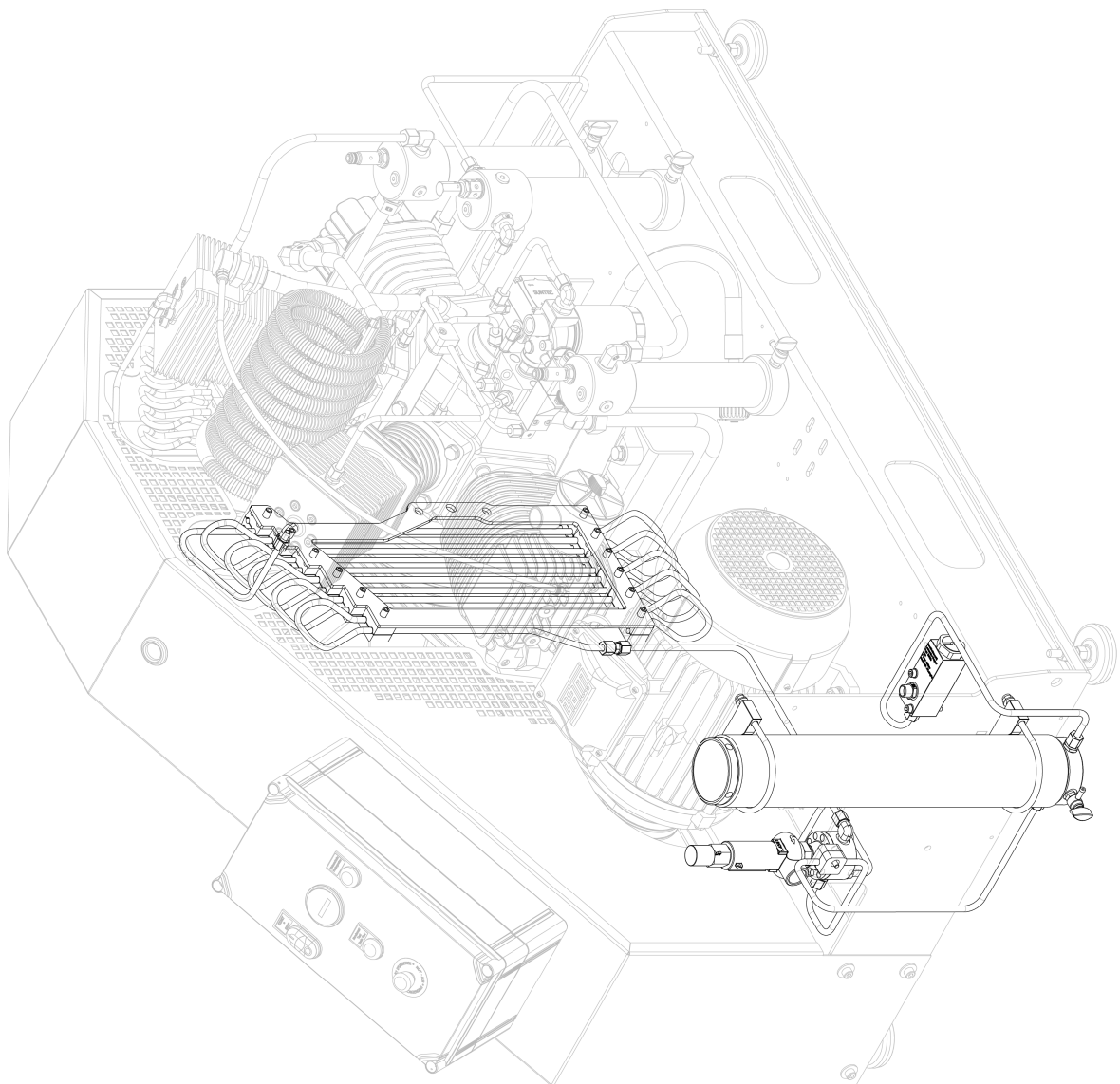
420 BAR VERSION

D

420 BAR VERSION

Ersatzteilliste / Spare Part List

Standard



D



420 BAR VERSION

Ersatzteilliste / Spare Part List

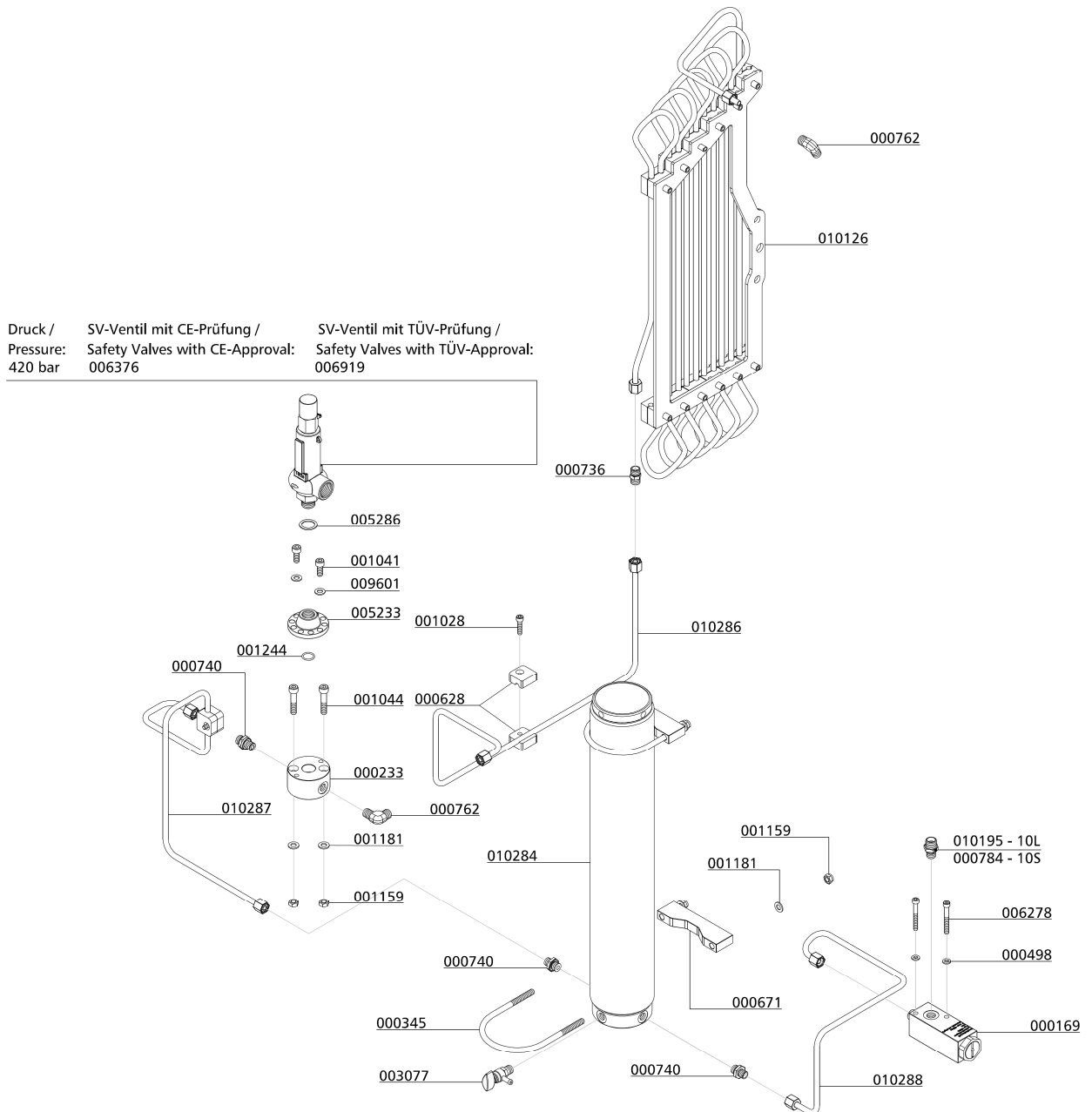
Standard

Best.-Nr. / Order No.	Benennung	Description
000169	Druckhalterückschlagventil	Pressure Maint. Valve black
000233	Sockel für Sicherheitsventil mit TÜV/CE	Base f. Safety Valve TÜV type
000345	Haltebügel für Filtergehäuse 1,7l / 2,3l	U-Clamp for filter housing
000498	U-Scheibe A6	Washer A6
000628	Einfachschelle 1 x 8mm 1 Paar	Pipe Clamp 1x8mm 1pair PVC
000671	Abstandshalter für Filtergehäuse	Alloy Spacer Filter Housing
000736	Verschraubung	Connection
000740	Verschraubung	Connection
000762	Verschraubung	Elbow Connection
000784	Verschraubung	Connection
001028	Zylinderschraube	Allen Bolt
001041	Zylinderschraube	Allen Screw
001044	Zylinderschraube	Allen Screw
001159	Stopfmutter	Lock Nut M8
001181	U-Scheibe A8	Washer A8
001244	O-Ring	O-Ring, flange safety valve
003077	Entwässerungsventil G1/4" AG, konisch	Drain Valve G1/4" male
005233	Adapter Stecksockel auf G1/2" IG	Adapter plug base to 1/2"female
005286	Cu-Dichtring 21x28x1,5 mm	Copper Seal Ring 21x28x1.5 mm
006278	Zylinderschraube	Allen Bolt
006376	Sicherheitsventil 420 bar	Safety Valve 420 bar
006919	Sicherheitsventil 420 bar	Safety Valve 420 bar incl. TÜV
009601	U-Scheibe	Washer
010126	Kühler 4.Stufe	Cooler 4th Stage complete
010195	Gerader Einschraubstutzen	Connection GE 10L
010284	Filtergehäuse, 1,7 ltr.	Filter housing 1.7 ltr.
010286	Rohrleitung Ø8mm, komplett mit M.&S.	Pipe Ø8mm
010287	Rohrleitung Ø8mm, komplett mit M.&S.	Pipe Ø8mm
010288	Rohrleitung Ø8mm, komplett mit M.&S.	Pipe Ø8mm

420 BAR VERSION

Ersatzteilliste / Spare Part List

Standard



D



PHASE MONITORING

D

PHASE MONITORING

Phase Monitoring

With this option the direction of rotation is controlled by a phase monitoring system during the operation.

If the compressor is incorrectly connected the power supply does not allow to start the machine. In this case the red warning lamp will indicate the problem. A changing of the direction of rotation is inevitable then.

Another advantage is the control during the operation. In case of dissolving a phase, the compressor will shut-down automatically. The red warning lamp will indicate to this after shut-down directly.



Phase Monitoring



PHASE MONITORING

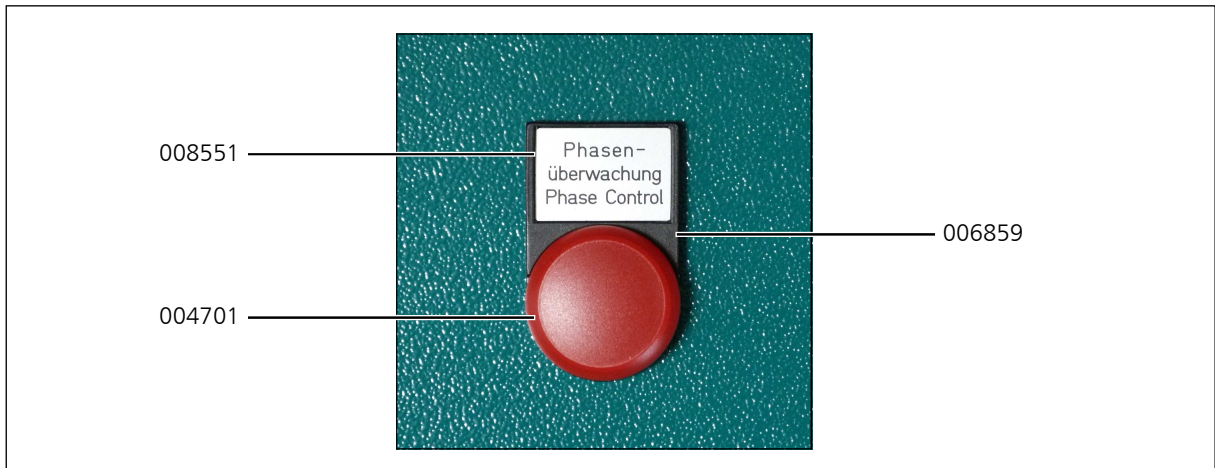
Spare Part List

Best.-Nr. / Order No.	Benennung	Description
004701	Warnlampe	Warning Lamp
004704	Relais für Warnlampe	Relais for warning lamp
006859	Schildträger	Label holder
008551	Einlegeschild Phasenüberwachung	Label Phase Control

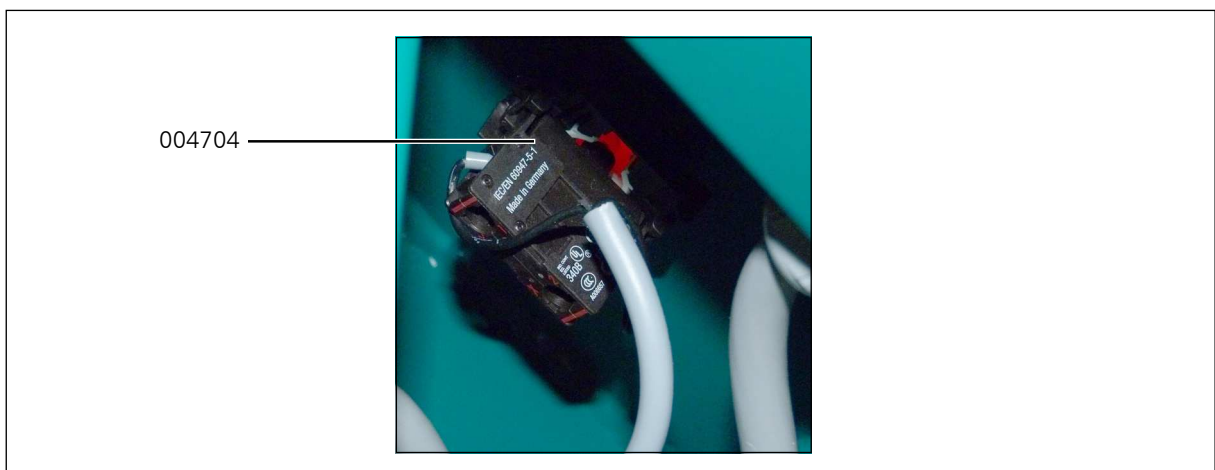
D

PHASE MONITORING

Spare Part List



D





SPECIAL VOLTAGE

D



SPECIAL VOLTAGE

Special Voltage

The compressor unit can be equipped with different voltages and frequencies. The power of the compressor motor can be lower and higher based on the needed requirement.

The following table will show possible voltages and frequencies. The associated data sheets can be found in the following pages.



Note

If your required data sheet is missing, please contact us directly under service@lw-compressors.com.

D

Possible special voltages and frequencies

Voltage	Frequency
440 V	50 Hz
440 V	60 Hz
230 V	50 Hz
230 V	60 Hz

SPECIAL VOLTAGE

Technical Data



Technical Data	LW 570 E II
Flow Rate [l/min]:	570
Max. Operating Pressure [bar]:	350
RPM [min ⁻¹]:	1,100
Number of Pressure Stages:	4
Cylinder Bore 1st Stage [mm]:	Ø 105
Cylinder Bore 2nd Stage [mm]:	Ø 50
Cylinder Bore 3rd Stage [mm]:	Ø 25
Cylinder Bore 4th Stage [mm]:	Ø 14
Medium:	Compressed Air / Breathing Air
Intake Pressure:	atmospheric
Oil Pressure (at operating temperature) [bar]:	+2.0 (±0.1)
Oil Capacity [l]:	2.9
Intake Temperature [°C]:	0 < +45
Ambient Temperature [°C]:	+5 < +45
Cooling Air Volume [m ³ /h]:	> 4,500
Voltage:	400 V / 3 phase / 50 Hz
Protection Class Drive Motor:	IP 54
Drive Power [kW]:	15
RPM Motor [min ⁻¹]:	2,890
Start:	Star/Delta
Noise Level [dB(A)]:	82,7 at distance of 1 m 77 at distance of 3 m
Dimensions W x D x H [mm]:	795 x 1,407 x 918
Weight [kg]:	353
Content Volume Final Filter Housing [l]:	1.7

SPECIAL VOLTAGE

Technical Data



Technical Data	LW 570 E II
Flow Rate [l/min]:	570
Max. Operating Pressure [bar]:	350
RPM [min ⁻¹]:	1,100
Number of Pressure Stages:	4
Cylinder Bore 1st Stage [mm]:	Ø 105
Cylinder Bore 2nd Stage [mm]:	Ø 50
Cylinder Bore 3rd Stage [mm]:	Ø 25
Cylinder Bore 4th Stage [mm]:	Ø 14
Medium:	Compressed Air / Breathing Air
Intake Pressure:	atmospheric
Oil Pressure (at operating temperature) [bar]:	+2.0 (±0.1)
Oil Capacity [l]:	2.9
Intake Temperature [°C]:	0 < +45
Ambient Temperature [°C]:	+5 < +45
Cooling Air Volume [m ³ /h]:	> 5,400
Voltage:	400 V / 3 phase / 60 Hz
Protection Class Drive Motor:	IP 54
Drive Power [kW]:	18
RPM Motor [min ⁻¹]:	3,480
Start:	Star/Delta
Noise Level [dB(A)]:	82,7 at distance of 1 m 77 at distance of 3 m
Dimensions W x D x H [mm]:	795 x 1,407 x 918
Weight [kg]:	353
Content Volume Final Filter Housing [l]:	1.7

D

SPECIAL VOLTAGE

Technical Data



Technical Data	LW 570 E II
Flow Rate [l/min]:	570
Max. Operating Pressure [bar]:	350
RPM [min ⁻¹]:	1,100
Number of Pressure Stages:	4
Cylinder Bore 1st Stage [mm]:	Ø 105
Cylinder Bore 2nd Stage [mm]:	Ø 50
Cylinder Bore 3rd Stage [mm]:	Ø 25
Cylinder Bore 4th Stage [mm]:	Ø 14
Medium:	Compressed Air / Breathing Air
Intake Pressure:	atmospheric
Oil Pressure (at operating temperature) [bar]:	+2.0 (±0.1)
Oil Capacity [l]:	2.9
Intake Temperature [°C]:	0 < +45
Ambient Temperature [°C]:	+5 < +45
Cooling Air Volume [m ³ /h]:	> 4500
Voltage:	230 V / 3 phase / 50 Hz
Protection Class Drive Motor:	IP 54
Drive Power [kW]:	15
RPM Motor [min ⁻¹]:	2,910
Start:	Star/Delta
Noise Level [dB(A)]:	82,7 at distance of 1 m 77 at distance of 3 m
Dimensions W x D x H [mm]:	795 x 1,407 x 918
Weight [kg]:	353
Content Volume Final Filter Housing [l]:	1.7

SPECIAL VOLTAGE

Technical Data



Technical Data	LW 570 E II
Flow Rate [l/min]:	570
Max. Operating Pressure [bar]:	350
RPM [min ⁻¹]:	1,100
Number of Pressure Stages:	4
Cylinder Bore 1st Stage [mm]:	Ø 105
Cylinder Bore 2nd Stage [mm]:	Ø 50
Cylinder Bore 3rd Stage [mm]:	Ø 25
Cylinder Bore 4th Stage [mm]:	Ø 14
Medium:	Compressed Air / Breathing Air
Intake Pressure:	atmospheric
Oil Pressure (at operating temperature) [bar]:	+2.0 (±0.1)
Oil Capacity [l]:	2.9
Intake Temperature [°C]:	0 < +45
Ambient Temperature [°C]:	+5 < +45
Cooling Air Volume [m ³ /h]:	> 5,400
Voltage:	230 V / 3 phase / 60 Hz
Protection Class Drive Motor:	IP 54
Drive Power [kW]:	18
RPM Motor [min ⁻¹]:	3,510
Start:	Star/Delta
Noise Level [dB(A)]:	82,7 at distance of 1 m 77 at distance of 3 m
Dimensions W x D x H [mm]:	795 x 1,407 x 918
Weight [kg]:	353
Content Volume Final Filter Housing [l]:	1.7



SPECIAL MACHINE FEETS

D

SPECIAL MACHINE FEETS

Special machine feets

L & W compressors can be also equipped with other machine feets alternatively.

The standard machine feets are height-adjustable. The version listed below can be used for floor mounting of the system.

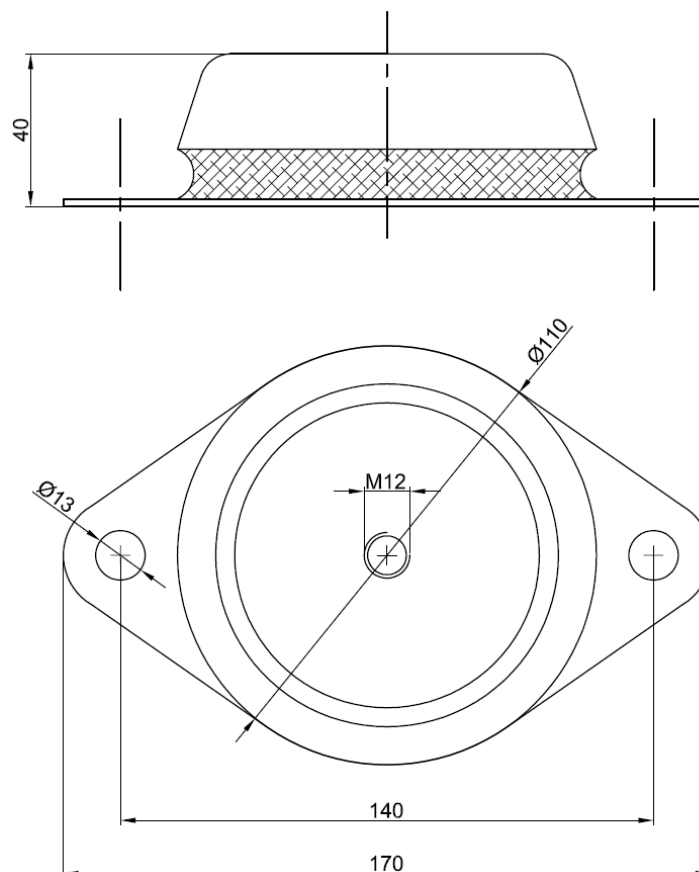
The incorporated rubber (60 ° Shore A) compensates vibrations of the machine.



Alternatively machine feet

Note

Machine feets can be ordered individually. P/N: 000623





ATTACHMENT

E

Lenhardt & Wagner GmbH

**An der Tuchbleiche 39
D-68623 Lampertheim – Hüttenfeld**

www.lw-compressors.com



Operating Instruction

Safety valve

Typ:

SiV2 BKZ 989 TÜV.SV.12-989.5.G.V.P CE 0091 AlMgSi1 F31 1100* Lenhardt & Wagner

SiV BKZ TÜV.SV.14-1140.5.G.V.p CE 0091 AlMgSi1 F31 1100* Lenhardt & Wagner

Set pressure:	see mark (hand wheel on top of valve)
Maximum outflow:	Set pressure 100-159 bar: 750 l / min Set pressure 160-350 bar: 1.100 l / min
Suitable media:	Media-resistant, non-corrosive gases

The safety valve is used for protection of pressurized components, eg pipelines, pressure vessels, or the compressor itself.

The hand wheel on the top of the safety valve is marked with the adjusted set pressure.



- 1) **Identification of set pressure**
- 2) **Seal**
- 3) **Fixing screws¹**
- 4) **Venting screw (hand wheel)**
- 5) **Identification serial number**
- 6) **Socket for safety valve**

Safety valve with socket

¹ und die Anforderungen des AD 2000 Merkblatts W7 erfüllen. The fixing screws M8 must be strength class 8.8 and meet the requirements of Merkblatt AD 2000 leaflet W7. Shaft length 70mm.

In order to prevent manipulation of the set pressure, all safety valves are factory fitted with a seal.

A safety valve on which the seal has been removed, must be returned to the manufacturer for repair / adjustment before further use.

In addition, the safety valve has a venting device (hand wheel).

When rotated clockwise, the safety valve and the filter housing of the final stage are completely vented.

During normal operation, the screw is unscrewed to the upper stop anticlockwise; an integrated safety ring prevents the screw from being removed.

If a safety valve blows off, the system must be switched off immediately and the cause of the error, investigated.

There are two possible reasons:

1. The safety valve is defective and blows off before the set pressure.

In this case the safety valve should be submitted immediately to the manufacturer for repair or replaced with a new one.

2. The safety valve opens properly, the problem is on the system.

A constant blowing of the safety valve is not permitted, the sealing seat of the valve can be damaged. The error on the system must be detected and repaired before further filling operations.

The safety valve may only be used if it is ensured that the maximum flowrate of the system does not exceed the blow-off rate of the safety valve.

The safety valve may only be used with the approved media.

Repair work on compressors must only be performed by trained personnel.

Dismantling of the safety valve

Ensure that on the safety valve is no pressure.

Loosen and remove the two M8 fixing bolts with a 6 mm Allen key.

The safety valve can now be removed by turning and simultaneously pulling out of the socket.

Mounting

1. Clean the safety valve socket.

2. Oil the insert pin of the safety valve including the O-ring with 1 to 2 drops of oil.

3. Press the safety valve pin complete into the socket.

4. Fasten the safety valve with the two 8 mm allen screws into the socket

(Tightening torque: 10 Nm)

5. Screw the venting screw (hand wheel) anticlockwise to its upper limit.

6. Start the System (Compressor), check installation for leaks and proper function.

Manufacturer: Lenhardt & Wagner GmbH
An der Tuchbleiche 39
D-68623 Lampertheim – Hüttenfeld

Contact: E-Mail: service@lw-compressors.com
Web: www.lw-compressors.com
Tel.: +49 (0) 6256 – 85880 0
Fax: +49 (0) 6256 – 85880 14

Note:

Only use safety valves which are in a technically perfect condition, for its intended purpose, safety and danger awareness, in compliance with the operating instructions!
Faults which could affect safety must be rectified immediately!

Notes:

- The safety valve must be installed directly on the protected pressure vessel and / or the plant.
 - The safety valve must be installed in an upright position.
 - The flow area of the port must be greater than the valve opening.
 - Protect valve against splashes
-

Maintenance:

- In accordance with current Pressure Equipment Directives, the safety valve must be periodically checked for operation and reliability.
- Refill annually lubricating oil:
Oil filling position:
Hole on the spacer (see arrow, Figure 1)
- Oil level: Fill oil into the hole until oil comes out of the hole.

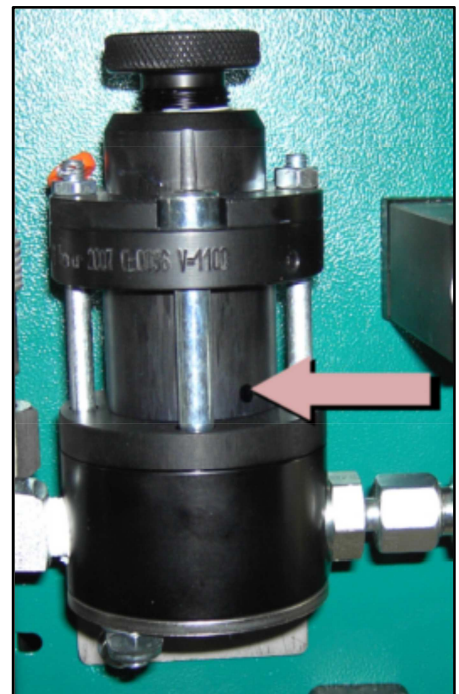


Figure 1: Position for oil refill

To be used lubricating oil for the safety valve: L&W Article N°.: 008500 (content: 30 ml)



INFORMATION ON THE
SERVICE LIFE OF
L&W HIGH PRESSURE HOSES





CONTENTS

Testing hose lines	
Testing hose lines	3
Testing after assembly and before commissioning	3
Recurring test	4
Procedure for hose lines found to be "defective"	4
Test intervals.....	4
Persons qualified to test hose lines.....	5
Maintenance	
Replacing hose lines	6
Immediate replacement of hose lines	6
Service life	
Service life of L&W high pressure hoses.....	7
Storage	
Storing hose lines	8
Annex	
Scope of testing, test criteria	10 - 11



TESTING HOSE LINES

Testing hose lines

An essential factor in ensuring operational safety when handling L&W compressors is the proper testing of the hose lines used.

Tests are necessary:

- After assembly and before commissioning the hose line.
- After accidents, changes (modifications) to the compressor system, longer periods of non-use and damage due to, for example, collisions or natural phenomena (extraordinary test).
- After carrying out repair work on the compressor system that could compromise safety.
- Recurrently at fixed, regular intervals.

The proprietor must determine the type, scope and deadlines for the tests according to his or her individual operating conditions and on the basis of a risk assessment. **The specifications and recommendations of the manufacturer must be observed.** The specifications made regarding type, scope and deadlines (as well as the replacement intervals) must be documented in writing as occupational health and safety measures.

The results of the tests must also be recorded, e.g. together with the test report of the machine, and kept at least until the next test.

The above-mentioned tests may only be carried out by persons who are qualified to do so and who are authorized by the company (employer).

Testing after assembly and before commissioning

In the test after assembly and before commissioning, factors relating to assembly or factors that can only be evaluated on the fully assembled machine must be assessed.

The assembled hose lines must also be assessed.

Some test points can already be assessed during a visual inspection when the machine is switched off.

An overview of the recommended scope of testing for a visual inspection of hose lines is given in the appendix.

Further test points included in the test of hose lines before commissioning, require a functional test with the machine running.

A recommendation for the scope of testing is given in the appendix.



TESTING HOSE LINES

Recurring test

Since hose lines are subject to influences that cause damage during operation and can lead to dangerous situations, they must be tested recurrently at fixed intervals. The aim of recurring tests is to detect and repair damage in good time.

The objective is to ensure that the system remains in a safe condition.

Procedure for hose lines found to be "defective"

If defects are found during the testing of the hose line that impair the safe condition of the work equipment, these must be rectified immediately. If this is not possible, suitable measures must be taken to ensure that the machine cannot be used further before it is repaired. Defective hose lines must be replaced before the machine can be used further.

It is not permitted to repair or reassemble damaged hose lines with old, previously used parts!

If several hose lines are replaced at the same time, precautions must be taken to prevent mix-ups of the connections or the installation points.

Test intervals

Deadlines for the recurring tests of the hose lines should already be set before commissioning.

Otherwise, there is a risk that work equipment will continue to be used or operated for too long without being tested.

The intervals between the recurring tests must be selected in such a way that deviations from the safe operating condition of work equipment can be detected and eliminated in good time.

The intervals for recurring tests specified here are guidelines and based on experience. Shorter test intervals may have to be specified on the basis of the risk assessment; special operating conditions; or according to the manufacturer's specific instructions in the machine operating manual. Longer test intervals may also be specified, provided that this is justifiable and tenable from a safety point of view. The determination of the test intervals should be documented.

Type of test	Recommended test intervals
Visual inspection	Before commissioning the system
Functional test	Annually with previous visual inspection

Persons qualified to test hose lines

A qualified person is a person who, through his or her professional training, professional experience and recent professional activity, has the necessary specialist knowledge required for testing work equipment - in this case for testing hose lines.

These requirements are defined in the Technical Rules for Industrial Safety TRBS 1203

"Qualified persons - general requirements" fulfilled if:

- the qualified person has completed a professional training that enables his or her professional knowledge to be determined in a comprehensible manner, i.e. based on professional qualifications or comparable evidence. For the testing of hose lines, the person concerned must have completed a technical professional training or another technical qualification sufficient for the intended testing tasks. The object is to guarantee that the tests will be carried out properly.
- proof of practical use at work of the equipment to be tested as well as the associated professional experience is provided. The qualified person must be sufficiently familiar with the conditions that demand the performance of tests, such as the result of the risk assessment or observations during the working day.
- there is proof of recent professional activity in the area of the upcoming tests and appropriate further training. The qualified person must also have gained experience with regard to the tests to be performed or comparable tests. He or she must also have knowledge of the state of the art with regard to the work equipment or components to be tested as well as the hazards to be considered. This also includes knowledge of the relevant technical regulations and the updating of this knowledge, e.g. through participation in training courses/instruction.

The qualified person is not subject to any technical instruction during the course of his or her testing activity and must not be disadvantaged because of this.

Experts who have carried out tests on the hose lines up to now and who meet the three criteria mentioned above and who have familiarized themselves with the contents of the German Ordinance on Industrial Safety and Health and the changes associated with it are also considered qualified persons to whom the tests can continue to be assigned.

See also:

- ⇒ § 2 para. 7 of the German Ordinance on Industrial Safety and Health,
- ⇒ Technical Rules for Operational Safety TRBS 1203.



Replacing hose lines

As a general rule, even when stored properly and subjected to permissible stress during use, all hose lines are subject to natural aging, which changes the material and composite properties and reduces the performance of the hose lines.

This limits the service life of a hose line and the operator must ensure that hose lines are replaced at appropriate intervals.

Immediate replacement of hose lines

Hose lines must be replaced immediately in the event of the following defects:

- External visible damage to the hose line or fittings.
- Internal damage to the tube or the reinforcement.
- Leakage from the hose line or the fittings.
- Deformation of the hose line or the fittings.



SERVICE LIFE

Service life of L&W high pressure hoses

When determining the service life or the replacement interval of the individual hose lines, the concrete specifications and recommendations of the hose line or machine manufacturer must be observed. Furthermore, empirical values resulting from previous tests done under the prevailing operating conditions on site are also relevant.

Guideline values for recommended replacement intervals of hose lines which have proven themselves in practice are summarized below.

Hose line requirements	Recommended replacement intervals
Standard requirements	6 years (Service life including a maximum of 2 years storage time)
Increased requirements, e.g. due to - increased operating time, e.g. multi-shift operation, or short machine or pressure pulse cycle times - strong external and internal influences (due to the medium), which greatly reduce the service life of the hose line	2 years (service life)

The guideline given above for a replacement interval of six years for hose lines meeting normal requirements includes a maximum storage period of two years. The guideline value of two years for hose lines meeting increased requirements represents the maximum permissible service life.

A prolongation of the guideline values given above for replacement intervals is possible if

- appropriate test values and empirical values are available from the operator of the machine which permit safe continued use beyond the recommended maximum service period,
- a hazard or risk assessment, documented in writing, has been carried out by the operator, which also takes into account protective measures in the event of failure of hose lines, and
- tests for safe working conditions are carried out by qualified persons at appropriately set, if necessary reduced, intervals.

It must be ensured that the prolongation of the replacement intervals does not result in a dangerous situation that could injure employees or other persons.

If hose lines fail during operation or if damage or defects are frequently detected during the recurring tests, then, in addition to investigating the causes, the test and replacement intervals must be shortened.



STORAGE

Storing hose lines

When storing hose lines, storage conditions must be aimed at minimizing the natural aging that occurs over time and the associated change in material and composite properties.

For this purpose, the following information must be provided:

- Store in a cool, dry and low-dust place.
Low-dust storage can be achieved, for example, by wrapping the hoses in plastic film.
- Avoid direct sun or UV radiation.
- Shield from nearby heat sources.
- Avoid storage temperatures below -10 °C for elastomers.
- Do not use ozone-generating light fittings or electrical devices that may produce sparks in the immediate vicinity.
(Ozone-generating light fittings are, for example, fluorescent light sources, mercury vapor lamps).

The most favorable storage conditions are temperatures between +15 °C and +25 °C, as well as a relative humidity below 65 %.

During storage, hose lines must not come into contact with substances that could cause damage, e.g. acids, alkalis, solvents. Penetration of ozone or other harmful air constituents can be prevented by sealing the ends or by wrapping the hoses in plastic film. They must be stored flat and free of tension.

The storage period for hose lines should not exceed two years.



ANNEX

Recommended scope of testing "visual inspection" (before initial commissioning or recommissioning)

- Is all user information required for safe operation of the system available (e.g. flow chart, operating instructions)?
- Do the hose lines comply with the flow chart or parts list?
- Are there protective measures in place, such as pressure relief valves, for cases of unusually high pressure pulses or pressure amplifications?
- Are the hose lines marked with the name or abbreviation of the manufacturer, maximum permissible operating pressure, nominal diameter, quarter/year of manufacture?
- Are the hose lines installed in such a way that, in accordance with DIN 20 066
 - the natural position does not hinder movement?
 - turning or twisting of the hose is prevented, likewise tensile load caused by a line that is too short and a bending radii that is too small?
 - the hose is routed via a kink protector (if necessary on the connecting element)?
 - sufficient clearance prevents external mechanical influences or abrasion on the edges?
 - hose bridges prevent damage being caused by driving over the hose line?
 - hose guides (such as hose saddles and sufficiently wide hose brackets) protect loosely laid hose lines and
 - a heat shield protects against high temperature exposure?
- Are suitable protective measures, such as fixtures, safety gear or shielding provided for hose lines that, in the event of failure, pose a risk of whipping?
A risk is to be assumed if persons are generally present in the immediate vicinity of the hose lines, for example.
- Do the hose lines of newly commissioned or re-commissioned machines already show signs of damage?
- Are the installed hose lines still within the storage/use period recommended by the relevant manufacturer?
- Are the hose lines free of paint?
- Are the hose lines free of chafe marks?
- Does the operating manual contain information on test intervals? If so, what?

Note:

The installed hose lines should not be made from used hoses or used press fittings that have already been in use as part of a hose assembly!



ANNEX SCOPE OF TESTING; TEST CRITERIA

Recommended scope of testing "Functional test" (before initial or recommissioning)

Note:

Visual inspection must be carried out before the functional test

- All parts of the system must be tested at least at the maximum working pressure that could be achieved taking into account all intended applications:
 - Are the hose lines and connecting elements free of leakage?
 - Have all hose lines withstood the pressure?

Note:

The installed hose lines should not be made from used hoses or used press fittings which have already been in use as part of a hose assembly!